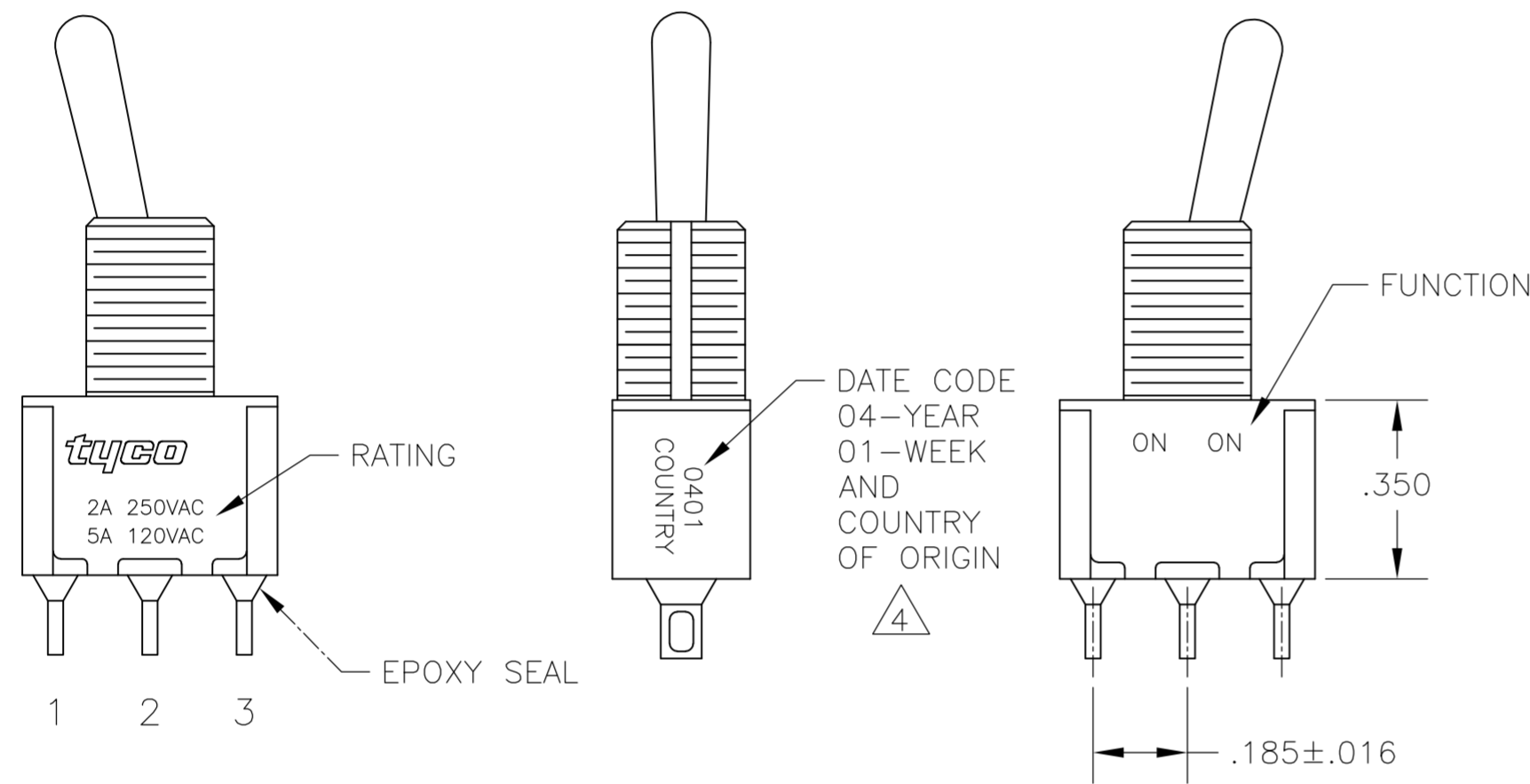
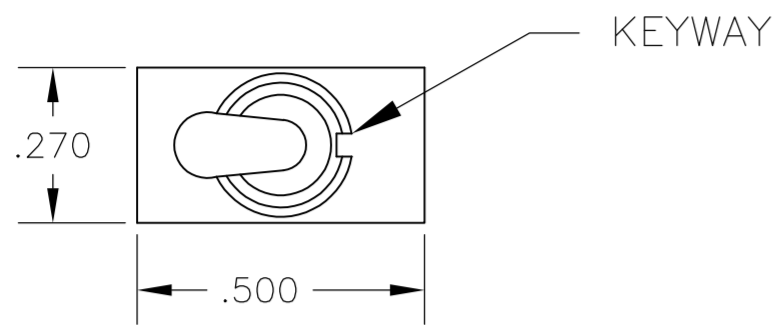


THIS DRAWING IS UNPUBLISHED. RELEASED FOR PUBLICATION  
 © COPYRIGHT BY TYCO ELECTRONICS CORPORATION. ALL RIGHTS RESERVED.

LOC		DIST		REVISIONS			
P	LTR	DESCRIPTION		DATE	DWN	APVD	
AD	00	A1	ECO-06-10851	13NOV07	MB	MW	

NOTES:

- ALL MATERIALS AND FINISHES SHALL COMPLY WITH EU DIRECTIVE 2002/95/EC OF 27JAN2003 (ROHS).
  - EACH SWITCH WITH THREADED BUSHINGS SUPPLIED WITH THE FOLLOWING MOUNTING HARDWARE:  
 (2) HEX NUTS  
 (1) INTERNAL TOOTH LOCKWASHER  
 (1) LOCATING RING
  - G CONTACT OPTION CAN BE USED FOR SIGNAL OR POWER LEVEL SWITCHING. IF SWITCH IS USED AT LEVELS EXCEEDING .4VA @ 20V AC/DC, SWITCH IS RENDERED FOR POWER SWITCHING ONLY DUE TO ARC REMOVAL OF GOLD PLATING. RATING STAMPED ON FRAME IS 2A 250VAC, 5A 120VAC.
4. DATE CODE AND COUNTRY OF ORIGIN MAY APPEAR ON EITHER SIDE OF SWITCH.  
 5. LENGTH OF TOGGLE REDUCED BY .020 WITH A, AV2, V30 OR V40 VERTICAL SUPPORT BRACKET OPTIONS.



FUNCTION CHART			
FUNCTION	1 2 3	1 2 3	1 2 3
03	ON	OFF	ON
05	(ON)	OFF	(ON)
07	ON	OFF	(ON)
TERMINALS CONNECTED	2-3	---	1-2

None: No mechanical position  
 Off: Mechanical position with no electrical connection  
 (On): Momentary action

SPECIFICATIONS CHART	
RATING, B CONTACTS	.4VA MAX @20V MAX. AC OR DC
RATING, G CONTACTS—SEE NOTE 3	.4VA MAX @20V MAX. AC OR DC OR 5A @120 VAC OR 28 VDC (RESISTIVE)
	2A @250 VAC (RESISTIVE)
RATING, Q CONTACTS	5A @120 VAC OR 28 VDC (RESISTIVE)
	2A @250 VAC (RESISTIVE)
ELECTRICAL LIFE	6,000 CYCLES AT RATED LOAD
CONTACT RESISTANCE	10 MILLIOHMS MAX INITIAL @ 2-4VDC, 100ma
INSULATION RESISTANCE	1,000 MEGOHMS MIN
DIELECTRIC WITHSTANDING VOLTAGE	1,000 V RMS AT SEA LEVEL
OPERATING TEMPRATURE	-30C TO 85C

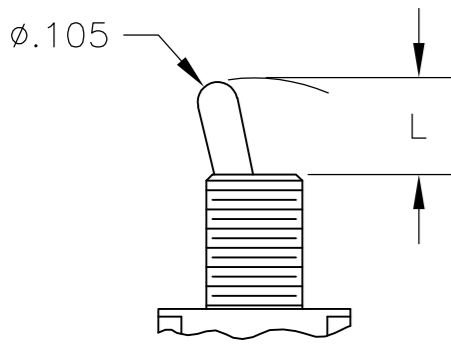
PART NUMBER SEQUENCE CHART						
MODEL	FUNCTION	TOGGLE	BUSHING	TERMINAL	CONTACT	RoHS
A1	03	K	CW	A	B	04
	05	K1	D	AV2	G	
	07	L	D9	C	Q	
		L1	H	V30		
		L2	Y	V40		
		M	Y9	W		
		P3		W4		
		S		Z		
		T		Z3		
		T1				

EXAMPLE: A103SYCQ04

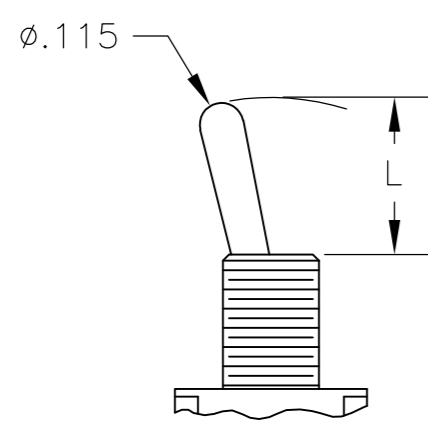
THIS DRAWING IS A CONTROLLED DOCUMENT.		DWN M. ZITTO 18MAY05	Tyco Electronics Corporation Harrisburg, Pa 17105-3608	
DIMENSIONS: INCHES		CHK M. ZITTO	NAME	
TOLERANCES UNLESS OTHERWISE SPECIFIED:		APVD M. ZITTO	PRODUCT SPEC	
0 PLC ± -		APPLICATION SPEC		
1 PLC ± -		SIZE CAGE CODE DRAWING NO RESTRICTED TO		
2 PLC ± -		A2 00779 C=1825137		
3 PLC ± .010		SCALE 3:1 SHEET 1 of 4 REV A1		
4 PLC ± -		CUSTOMER DRAWING		
ANGLES ± 2'				
FINISH				

THIS DRAWING IS UNPUBLISHED. RELEASED FOR PUBLICATION  
 © COPYRIGHT BY TYCO ELECTRONICS CORPORATION. ALL RIGHTS RESERVED.

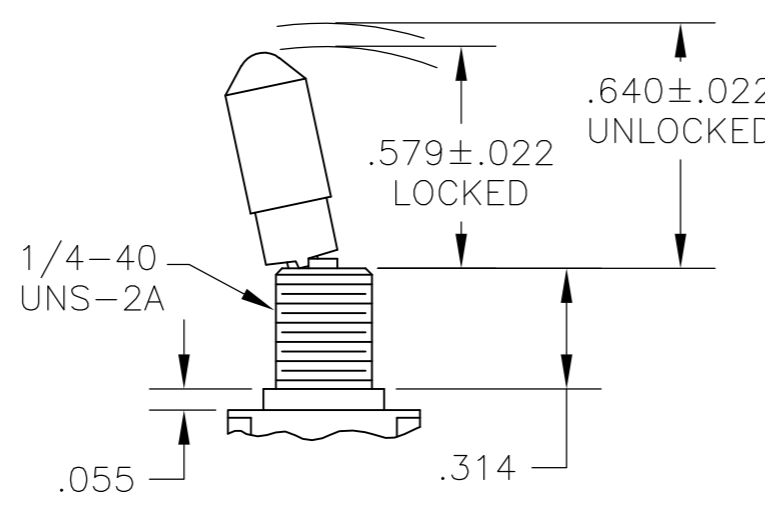
# TOGGLES



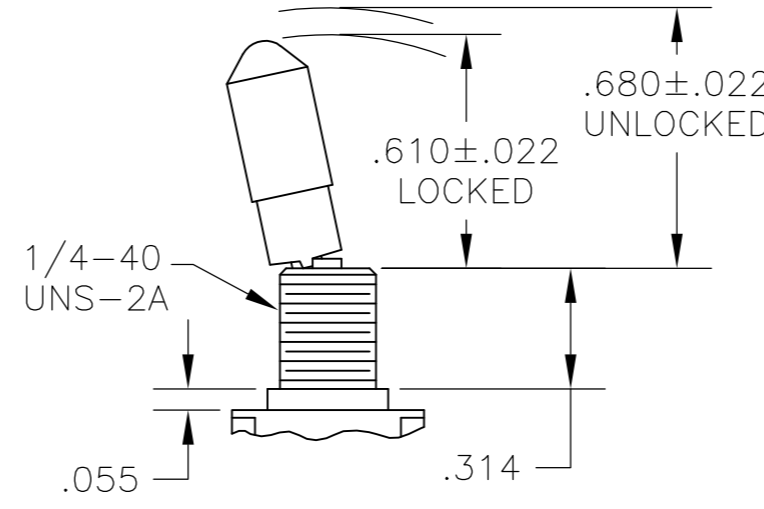
**M** SHORT



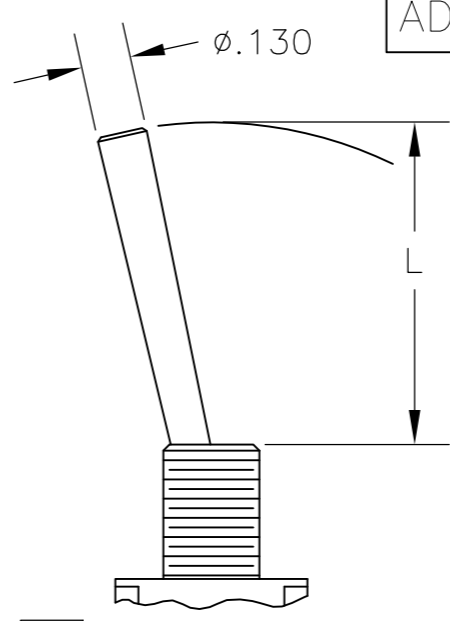
**S** STANDARD



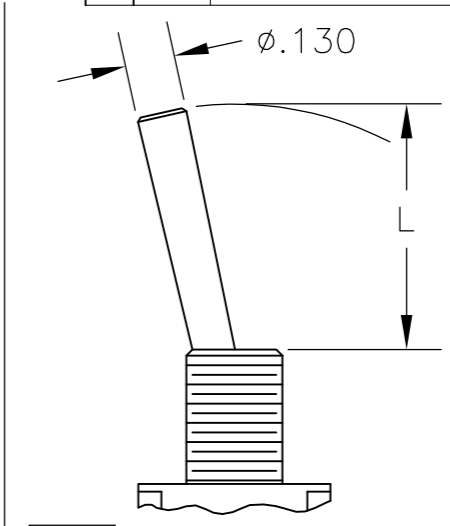
**K** NO BUSHING OPTION NEEDED



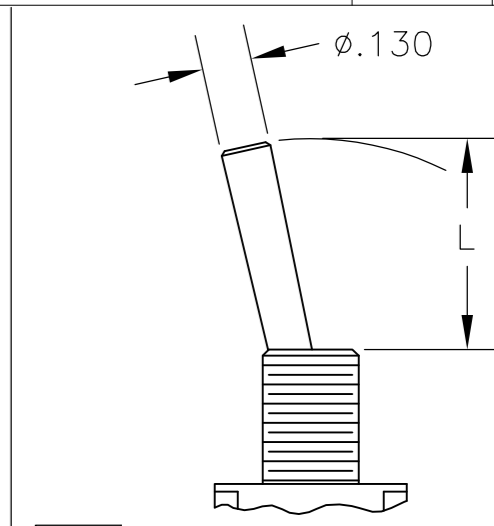
**K1** NO BUSHING OPTION NEEDED



**L** LEVER



**L1** LEVER

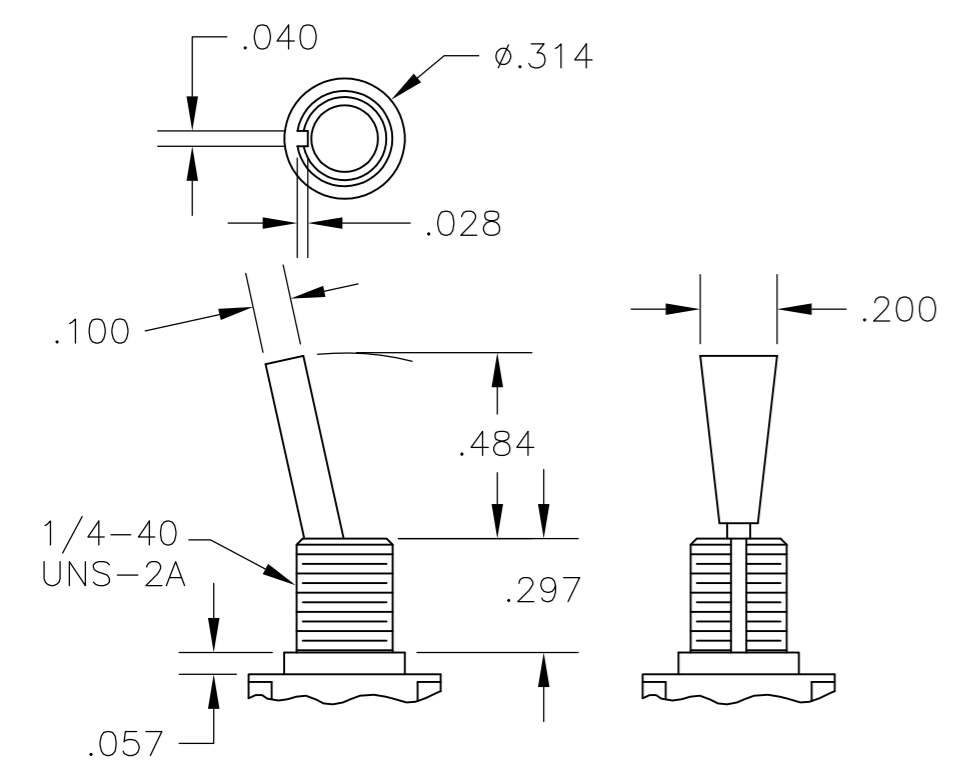


**L2** LEVER

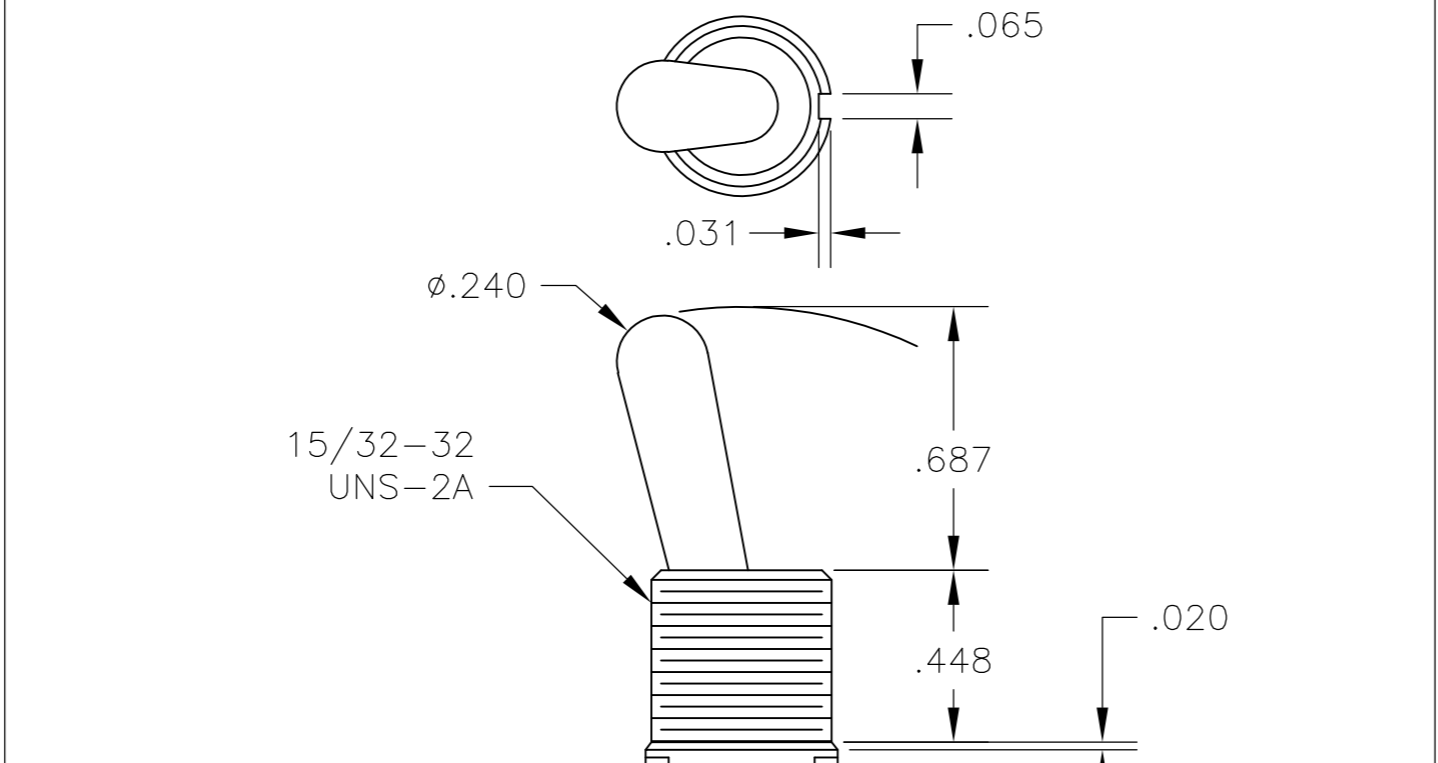
DIM L	BUSHING TYPE	DIM L	BUSHING TYPE
.200	Y, H	.410	Y, H
.270	D, D9	.480	D, D9

DIM L	BUSHING TYPE	DIM L	BUSHING TYPE	DIM L	BUSHING TYPE
.840	Y, H	.640	Y, H	.550	Y, H
.910	D, D9	.710	D, D9	.620	D, D9

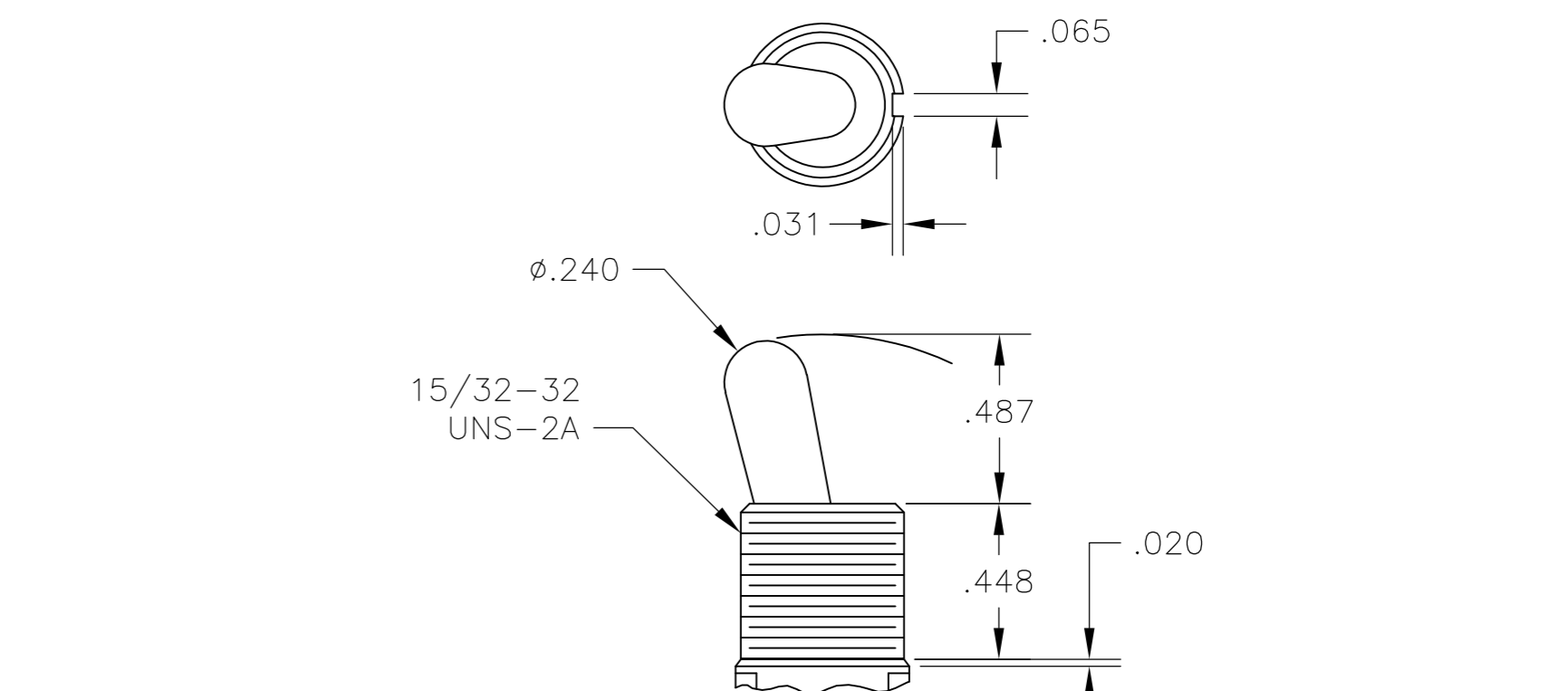
LOC	DIST	REVISIONS			
P	LTR	DESCRIPTION	DATE	DWN	APVD
AD	00	SEE SHEET 1	-	-	-



**P3** NO BUSHING OPTION NEEDED

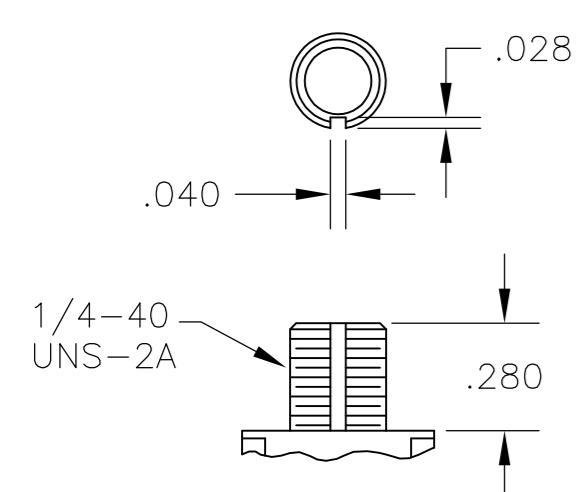


**T** NO BUSHING OPTION NEEDED

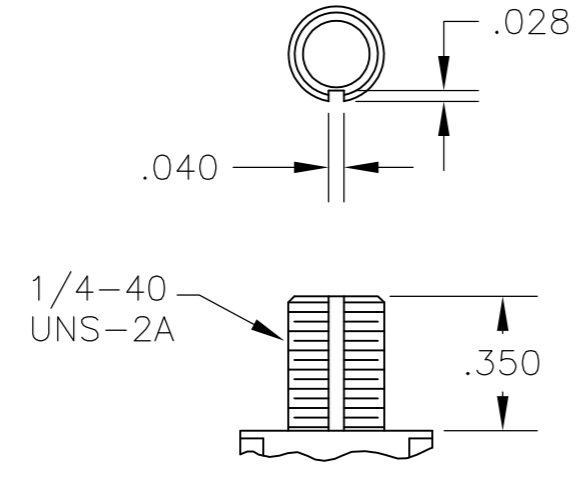


**T1** NO BUSHING OPTION NEEDED

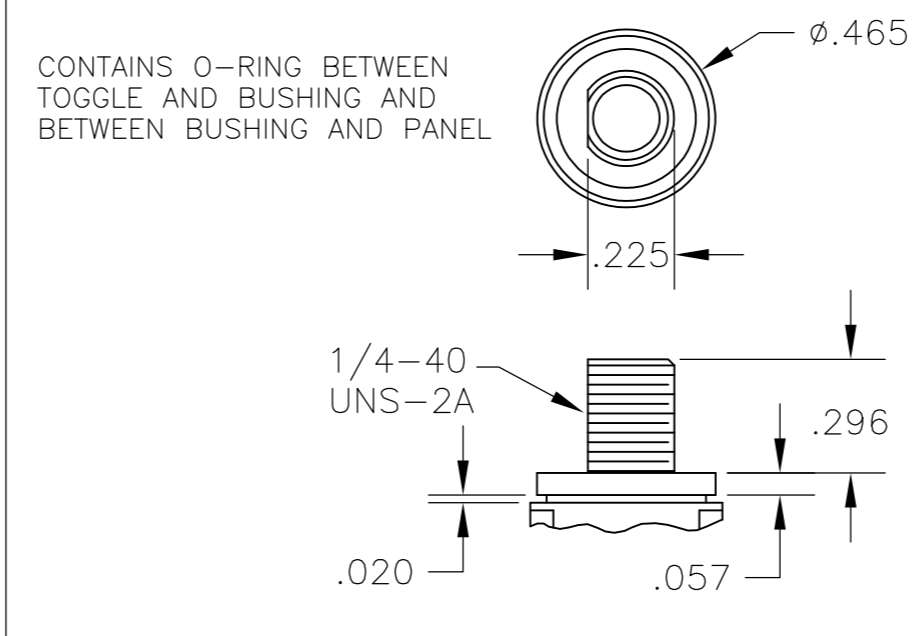
# BUSHINGS



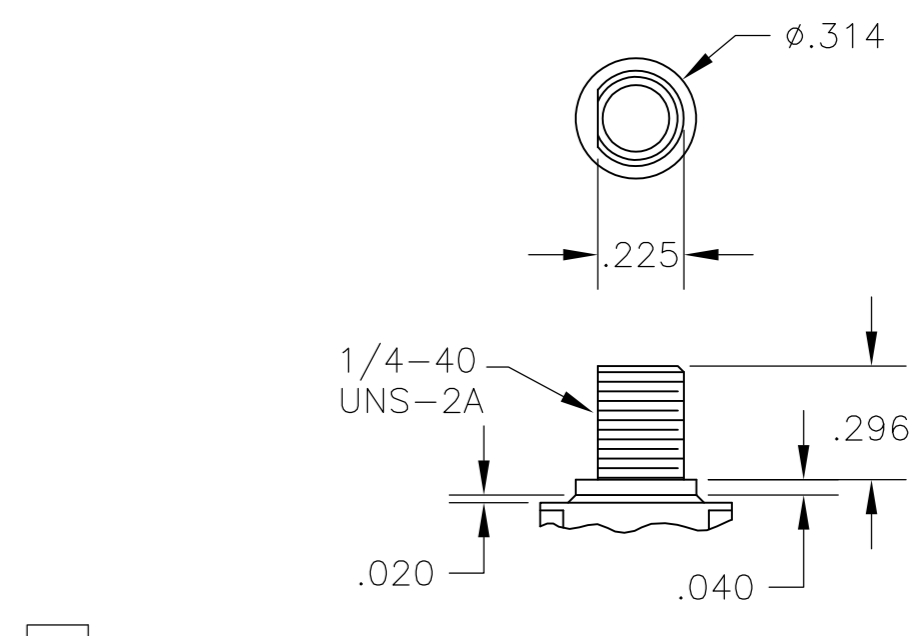
**D** THREADED  
**D9** UNTHREADED



**Y** THREADED  
**Y9** UNTHREADED



**CW** THREADED SPLASHPROOF



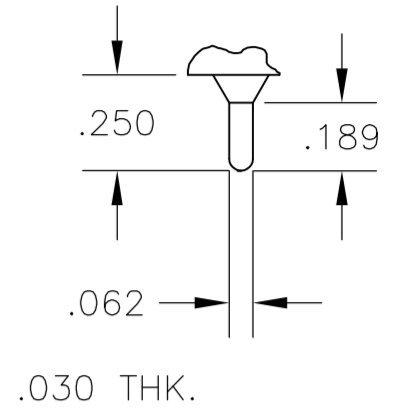
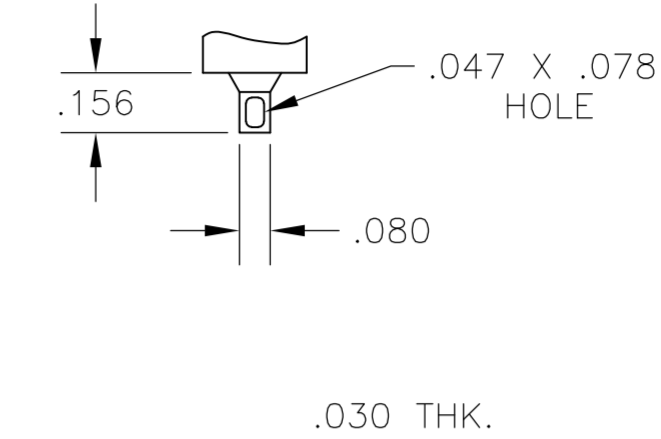
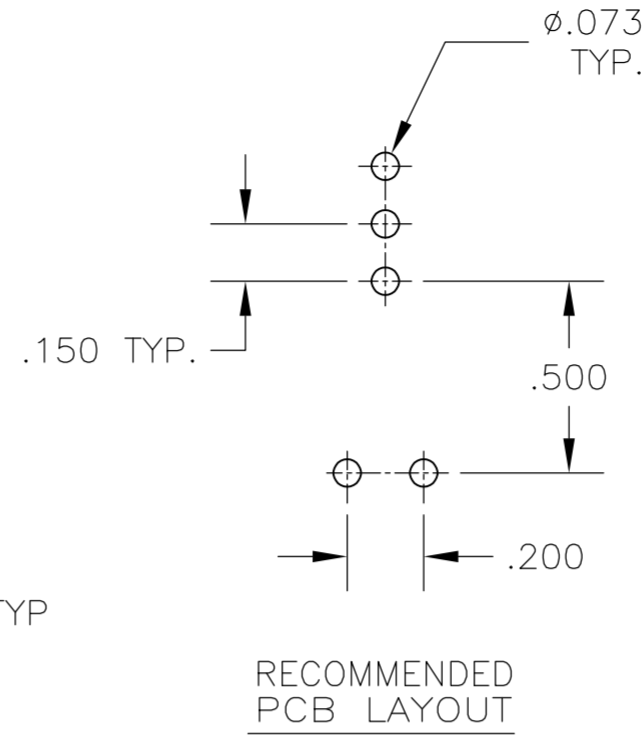
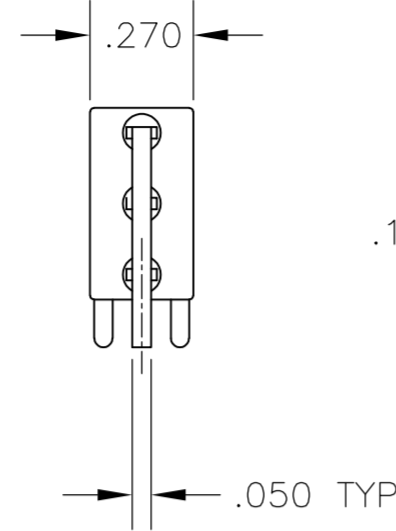
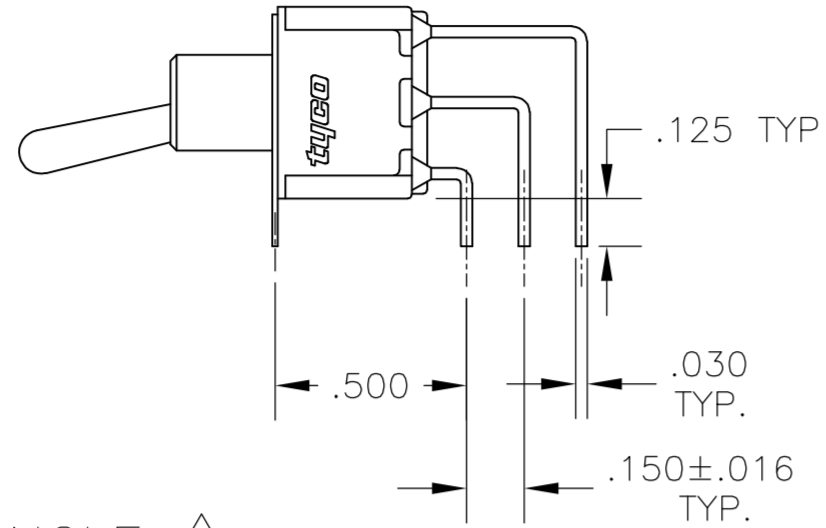
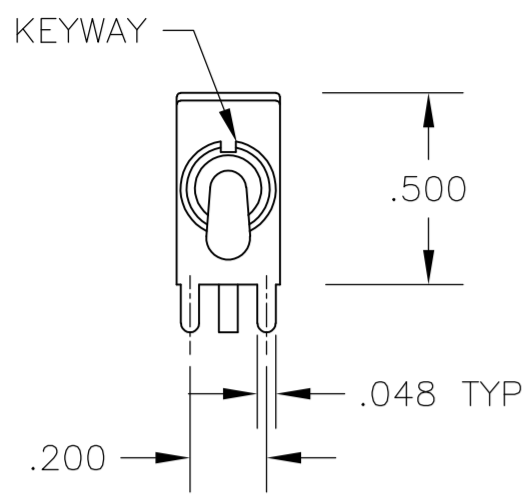
**H** HIGH TORQUE

THIS DRAWING IS A CONTROLLED DOCUMENT.

DIMENSIONS: INCHES	TOLERANCES UNLESS OTHERWISE SPECIFIED:	DWN: M. ZITTO	18MAY05	Tyco Electronics Corporation Harrisburg, Pa 17105-3608
	0 PLC ± -	CHK: M. ZITTO	-	
	1 PLC ± -	APVD: M. ZITTO	-	
	2 PLC ± -	PRODUCT SPEC	-	
	3 PLC ± .010	APPLICATION SPEC	-	
MATERIAL	FINISH	4 PLC ± -	ANGLES ± 2°	NAME: GEMINI A SERIES TOGGLE SWITCH, SINGLE POLE, 3 POSITION FUNCTIONS (03, 05 & 07) SIZE: A2 CAGE CODE: 00779 DRAWING NO: 1825137 WEIGHT: - SCALE: 2:1 SHEET: 2 of 4 CUSTOMER DRAWING

THIS DRAWING IS UNPUBLISHED. RELEASED FOR PUBLICATION  
 © COPYRIGHT BY TYCO ELECTRONICS CORPORATION. ALL RIGHTS RESERVED.

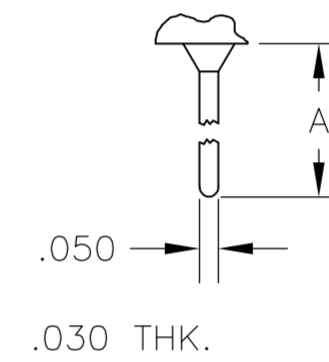
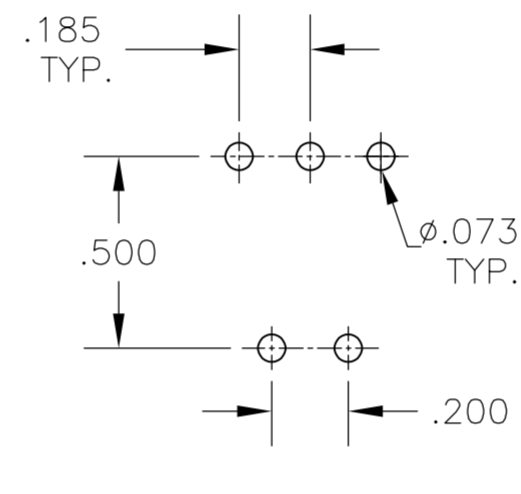
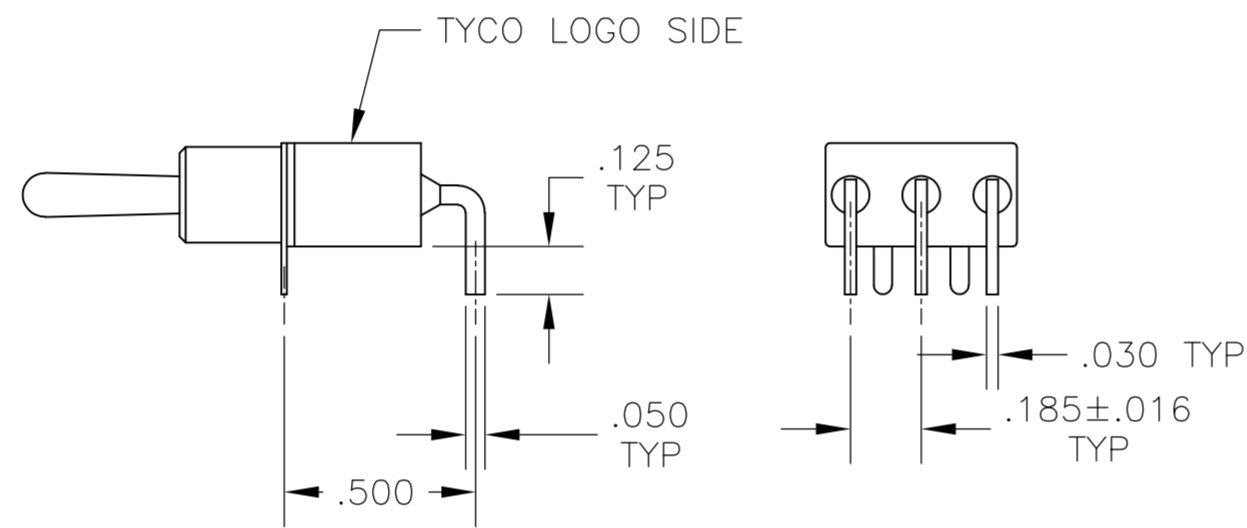
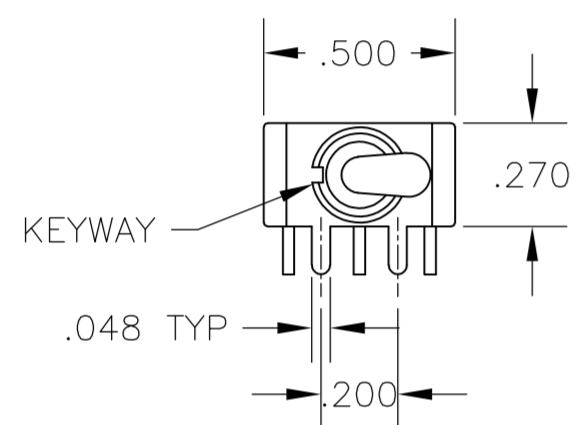
LOC	DIST	REVISIONS					
AD	00	P	LTR	DESCRIPTION	DATE	DWN	APVD
		-	-	SEE SHEET 1	-	-	-



AV2 VERTICAL RIGHT ANGLE

Z WIRE LUG

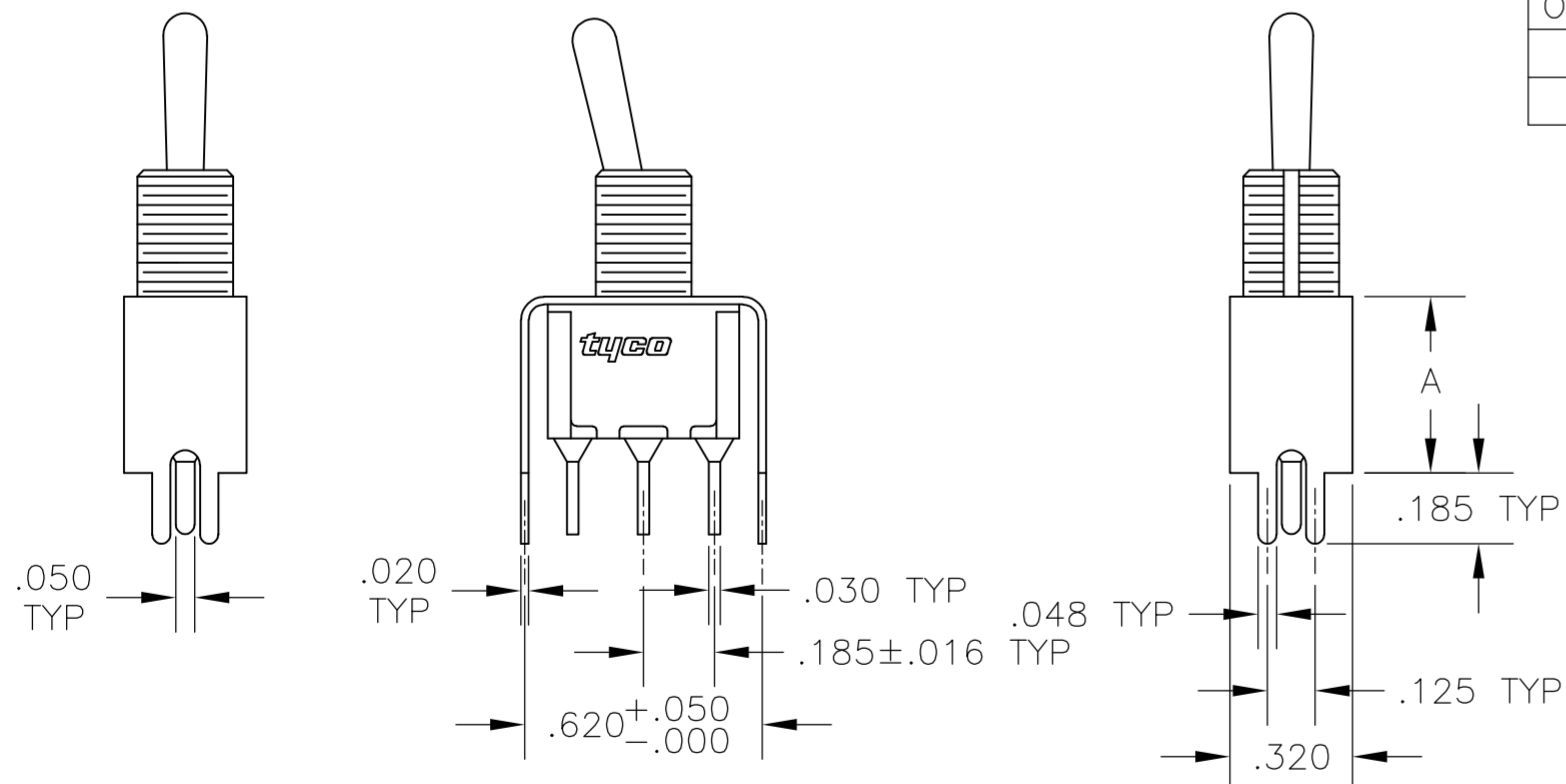
Z3 QUICK CONNECT



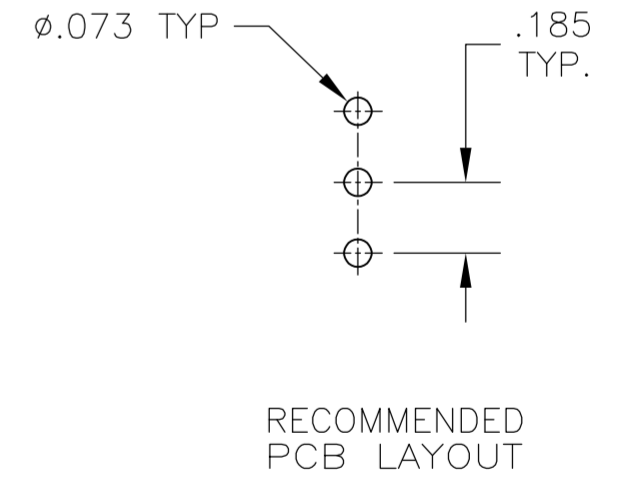
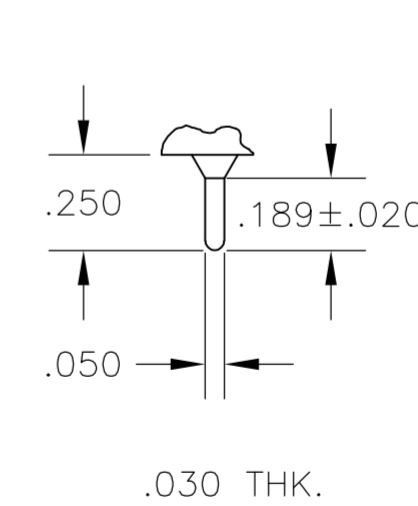
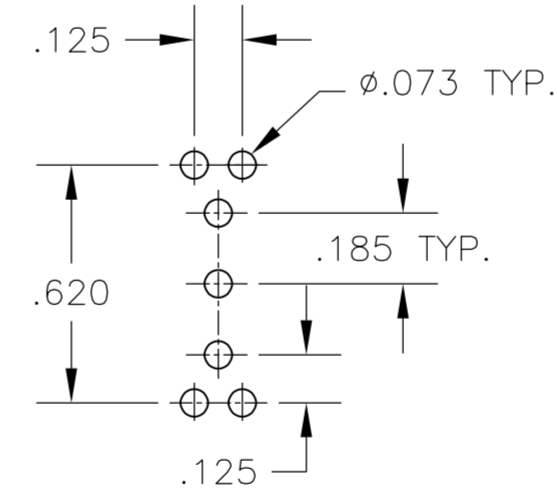
OPTION	DIM A
W	.736
W4	1.062

A RIGHT ANGLE

W W4 WIRE WRAP



OPTION	DIM A
V30	.460
V40	.630



V30 V40 VERTICAL SUPPORT BRACKET

C PRINTED CIRCUIT

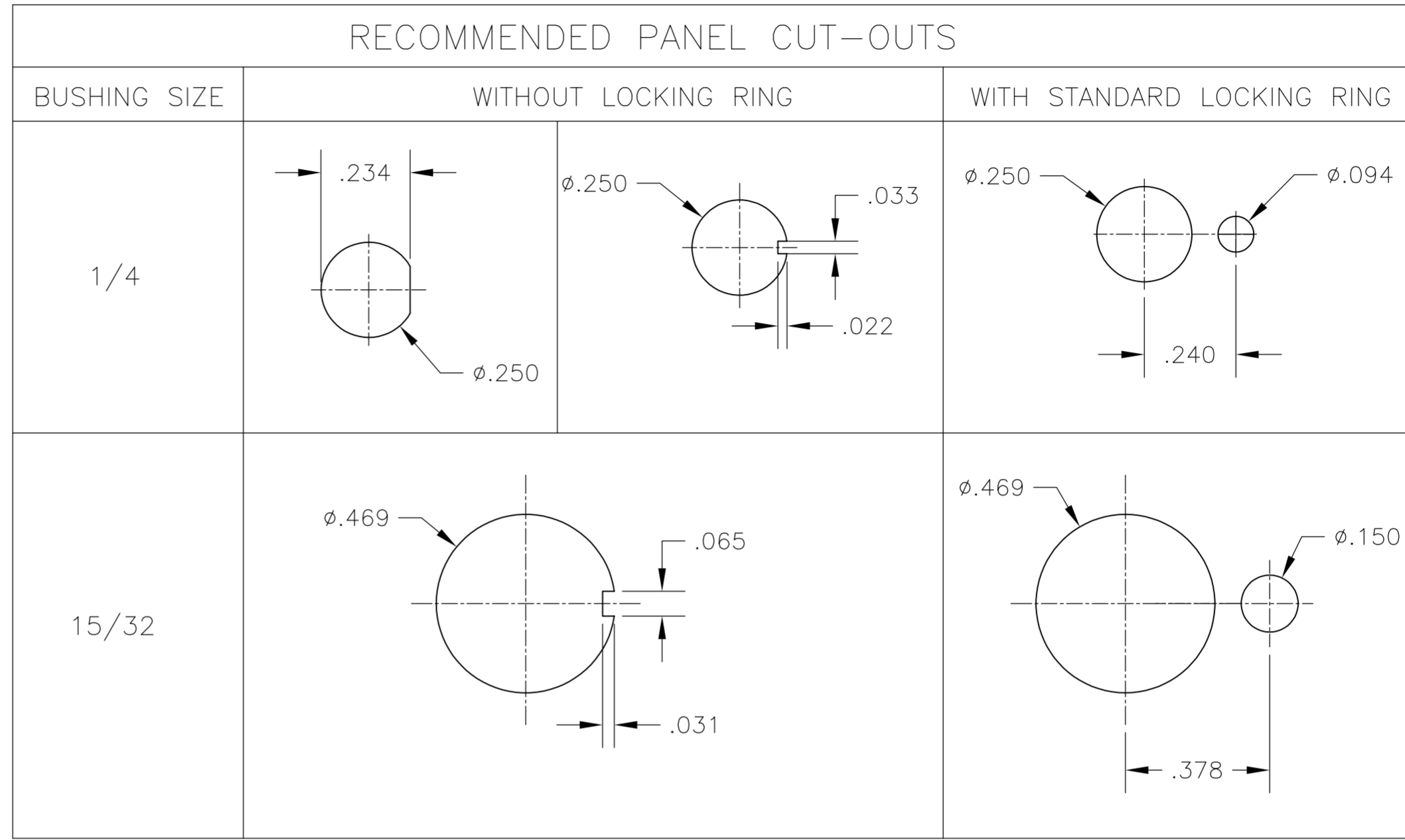
THIS DRAWING IS A CONTROLLED DOCUMENT.

DIMENSIONS: INCHES	TOLERANCES UNLESS OTHERWISE SPECIFIED:	DWN M. ZITTO 18MAY05	Tyco Electronics Corporation Harrisburg, Pa 17105-3608
	0 PLC ± -	CHK M. ZITTO -	
	1 PLC ± -	APVD M. ZITTO -	
	2 PLC ± -	NAME	
MATERIAL	FINISH	PRODUCT SPEC	GEMINI A SERIES TOGGLE SWITCH, SINGLE POLE, 3 POSITION FUNCTIONS (03, 05 & 07)
		APPLICATION SPEC	SIZE A2 CAGE CODE 00779 DRAWING NO. C=1825137 RESTRICTED TO
		WEIGHT	SCALE 2:1 SHEET 3 OF 4 REV A1
		CUSTOMER DRAWING	

THIS DRAWING IS UNPUBLISHED. RELEASED FOR PUBLICATION  
 © COPYRIGHT BY TYCO ELECTRONICS CORPORATION. ALL RIGHTS RESERVED.

LOC	DIST	REVISIONS					
AD	00	P	LTR	DESCRIPTION	DATE	DWN	APVD
				SEE SHEET 1			

Alco P/N	TE P/N
A103KZQ04	1825137-1
A103MD9AB04	1825137-2
A103MD9AG04	1825137-3
A103MD9AQ04	1825137-4
A103MD9AV2B04	1825137-5
A103P3ZQ04	1825137-6
A103SD9AQ04	1825137-7
A103SD9AV2B04	1825137-8
A103SD9AV2Q04	1825137-9
A103SDCB04	1-1825137-0
A103SDCQ04	1-1825137-1
A103SDZQ04	1-1825137-2
A103SYAQ04	1-1825137-3
A103SYAV2Q04	1-1825137-4
A103SYCB04	1-1825137-5
A103SYCQ04	1-1825137-6
A103SYWB04	1-1825137-7
A103SYWQ04	1-1825137-8
A103SYZB04	1-1825137-9
A103SYZQ04	2-1825137-0
A103T1CG04	2-1825137-1
A103T1ZQ04	2-1825137-2
A103TZQ04	2-1825137-3
A105MD9AB04	2-1825137-4
A105MD9AQ04	2-1825137-5
A105MYV30Q04	2-1825137-6
A105P3CG04	2-1825137-7
A105P3CQ04	2-1825137-8
A105P3ZQ04	2-1825137-9
not assigned	3-1825137-0
A105SD9AB04	3-1825137-1
A105SD9AV2Q04	3-1825137-2
A105SD9V30B04	3-1825137-3
A105SYAB04	3-1825137-4
A105SYAV2B04	3-1825137-5
A105SYCB04	3-1825137-6
A105SYCQ04	3-1825137-7
A105SYZB04	3-1825137-8
A105SYZQ04	3-1825137-9
A105T1ZB04	4-1825137-0
A105T1ZQ04	4-1825137-1
A105TZQ04	4-1825137-2
A107KAV2Q04	4-1825137-3
A107KZB04	4-1825137-4
A107MD9AV2B04	4-1825137-5
A107MD9CQ04	4-1825137-6
A107MD9V30Q04	4-1825137-7
A107P3ZQ04	4-1825137-8
A107SYAQ04	4-1825137-9
A107SYCB04	5-1825137-0
A107SYCQ04	5-1825137-1
A107SYZQ04	5-1825137-2
A107TZB04	5-1825137-3
A105MD9AV2B	5-1825137-4



### MATERIALS CHART

COMPONENT NAME	BASE MATERIAL	FINISH
CASE	DAP, RED, UL94 V-0	
FRAME	STAINLESS STEEL	
B TERMINALS & CONTACTS	COPPER	GOLD OVER NICKEL
G TERMINALS & CONTACTS	COPPER	GOLD OVER SILVER
Q TERMINALS & CONTACTS	COPPER	.000400 SILVER
ACTUATOR	PHENOLIC, BLACK, UL94 V-1	
LEVER	BRASS	CHROME
BUSHING	BRASS	NICKEL
SPRING	MUSIC WIRE	
SUPPORT BRACKET	BRASS	TIN
PIVOT PIN	STEEL	NICKEL
LOCK WASHER	STAINLESS STEEL	
LOCKING RING	STAINLESS STEEL	
NUTS	C3604BD BRASS	NICKEL
TERMINAL SEAL	EPOXY	

THIS DRAWING IS A CONTROLLED DOCUMENT.		DWN	18MAY05	Tyco Electronics Corporation Harrisburg, Pa 17105-3608
DIMENSIONS:		CHK	-	
INCHES		APVD	-	
		PRODUCT SPEC	-	
TOLERANCES UNLESS OTHERWISE SPECIFIED:		NAME		GEMINI A SERIES TOGGLE SWITCH, SINGLE POLE, 3 POSITION FUNCTIONS (03, 05 & 07)
0 PLC ± -		M. ZITTO		
1 PLC ± -		APPLICATION SPEC		SIZE
2 PLC ± -		WEIGHT		CAGE CODE
3 PLC ± .010		CUSTOMER DRAWING		DRAWING NO
4 PLC ± -		SCALE		RESTRICTED TO
ANGLES ± 2'		3:1		SHEET
FINISH		4 of 4		REV
-		A1		