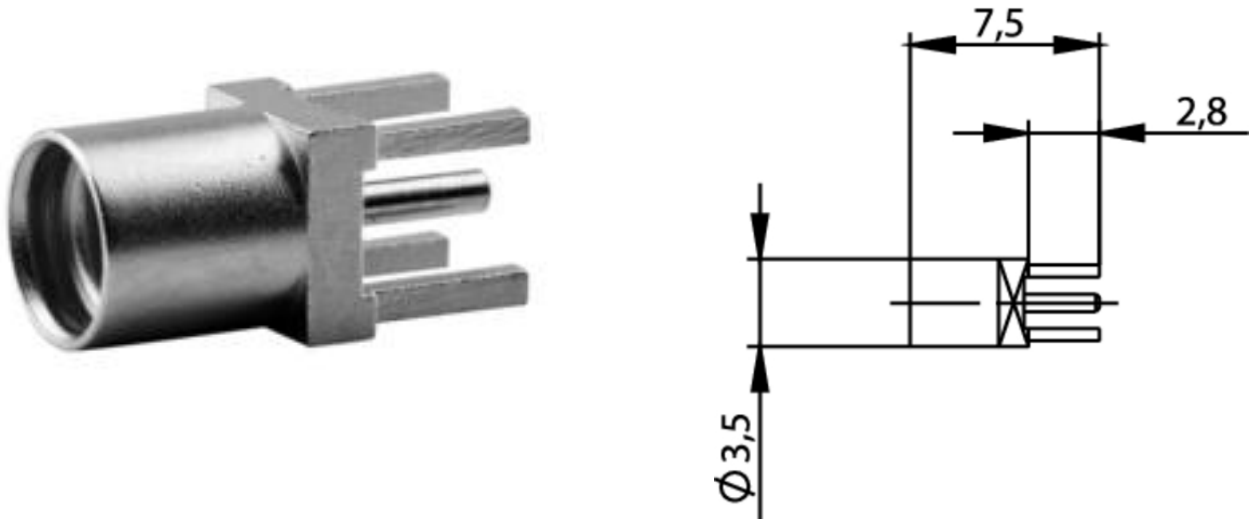


order number: J01341A0161

MMCX PCB Receptacle, female



Technical Attributes	
Mount. dim.	Z23

### Product description

The MMCX series of micro-miniature connectors is a smaller version of the MCX and also utilizes a snap coupling. They are suitable for use up to 6 GHz. The impedance is controlled at 50 Ω. Connector designs are available for flexible, conformable and semi-rigid cables. Styles are available for mounting to printed circuit boards using thru-hole soldering, press-fit and surface mount technology (SMT). Solder and crimp techniques are used to terminate this series to cables. Because of their small size, these connectors can be used in the smallest of instruments as well as personal communication equipment.

Mechanical Characteristics	
Durability (mating cycles)	≥ 500
Insertion force	≤ 18 N
Disengagement	6 - 18 N
Material: spring contacts	CuBe2
Material: outer conductor	CuZn39Pb3
Material: other metal parts	CuZn39Pb3
Material: insulators	PTFE
Finish: Inner conductor	Ni2Au1.27

Finish: Outer conductor	Ni2Au0.8
Finish: Other metal parts	Ni5Au0.2

Climatic Characteristics	
Climatic category acc. to IEC 60068 - 1	55/155/21

Electrical Characteristics	
Contact resistance inner conductor	$\leq 5 \text{ m}\Omega$
Contact resistance outer conductor	$\leq 2.5 \text{ m}\Omega$
Insulation resistance	$\geq 1 \text{ G}\Omega$
Impedance	$50 \Omega$
Return loss: Straight style	$\geq 20 \text{ dB}/6 \text{ GHz}$
Return loss: Angle style	$\geq 16.5 \text{ dB}/6 \text{ GHz}$
Proof voltage	500 V/50 Hz
Working voltage	170 V <sub>eff</sub> /50 Hz
Frequency range up to	6 GHz

Standards	
EN 122340	