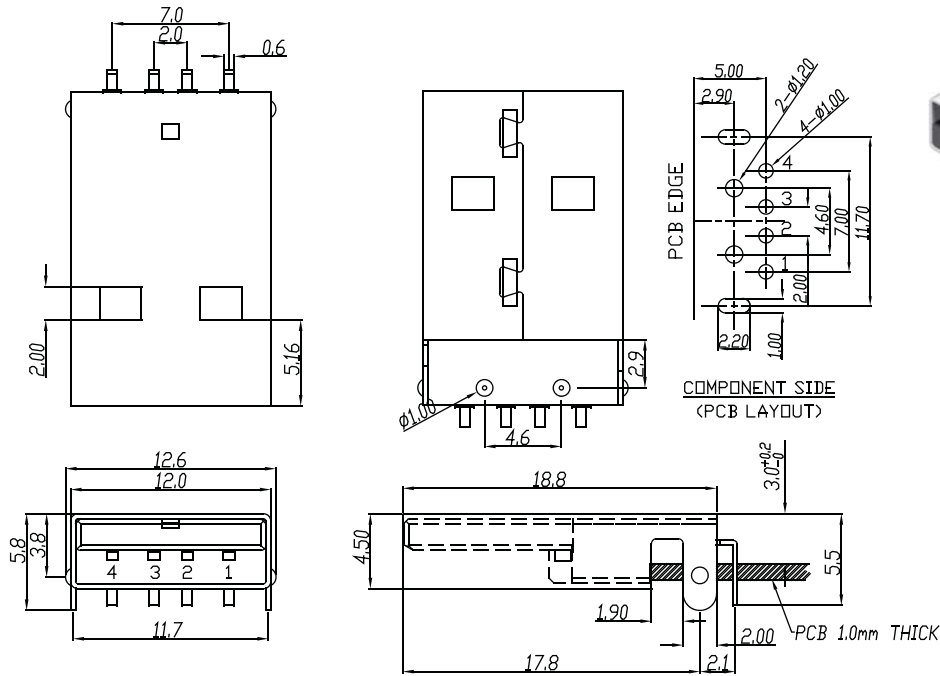


### USB Male Reverse Flat Dip 90° A Type

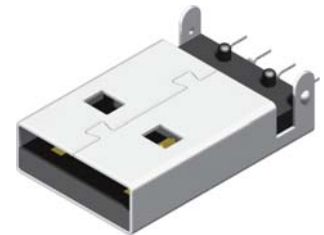
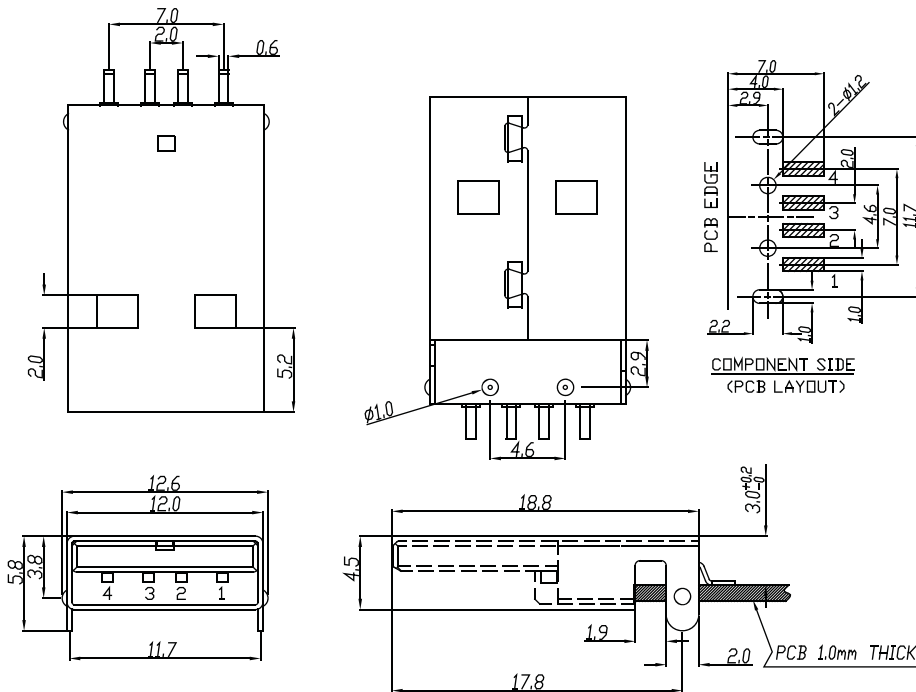


No.	Name	Material	Finish	Remark	Q'TY
1	Housing	Nylon 9T G.F.	Black/White		1
2	Pin Term.	Brass EH T=0.25 mm	Gold/Tin Plated	Gold:1~3u"; Ni:40~60u"; Tin:120u" (100% pure Tin of lead free plating)	4
3	Shell	Spcc T=0.3 mm	Nickel Plated	NI:80~120u"	1

Part No.: USB-001MRD-A□S-U

B:Black W:White

### USB Male Reverse Flat SMT A Type



No.	Name	Material	Finish	Remark	Q'TY
1	Housing	Nylon 9T G.F.	Black/White		1
2	Pin Term.	Brass EH T=0.25 mm	Gold/Tin Plated	Gold:1~3u"; Ni:40~60u"; Tin:120u" (100% pure Tin of lead free plating)	4
3	Shell	Spcc T=0.3 mm	Nickel Plated	NI:80~120u"	1

Part No.: USB-001MRS-A□S-U

B:Black W:White