

iC-OC

DUAL INTEGRATING OPTO SENSOR



FEATURES

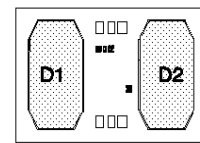
- ◆ Two in-line photosensors with integrator
- ◆ Integration start and stop set externally
- ◆ Internal shift register for chain connection
- ◆ Power-down Reset
- ◆ TTL/CMOS compatible Logic
- ◆ 5V supply voltage
- ◆ Low power consumption

APPLICATIONS

- ◆ Linear sensor arrays

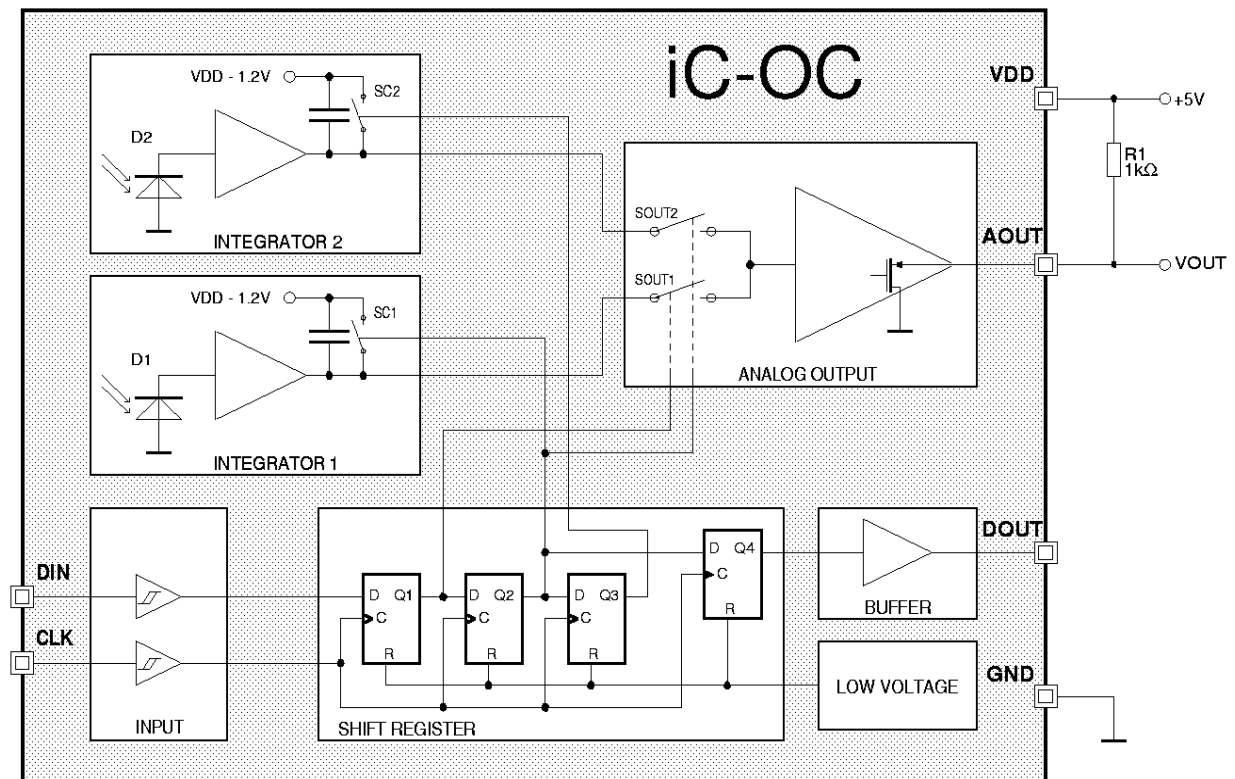
PRELIMINARY

PACKAGES



customized COB
(chip size 1.7mm x 1.2mm)

BLOCK DIAGRAM



©1997

Rev P0