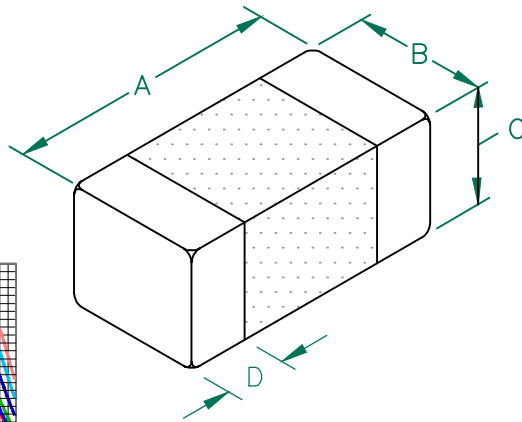


LI0603D301R-10

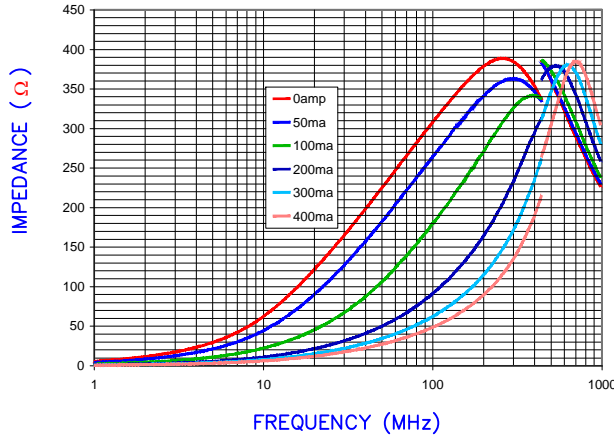
PHYSICAL DIMENSIONS:

A	1.60 [.063]	+ 0.15 [.006]
B	0.80 [.031]	+ 0.15 [.006]
C	0.80 [.031]	+ 0.15 [.006]
D	0.36 [.014]	+ 0.15 [.006]

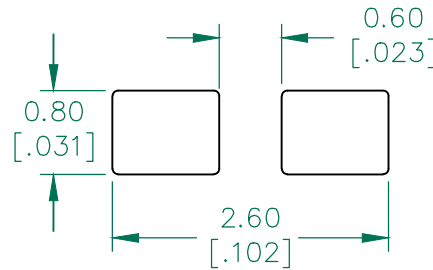


ELECTRICAL CHARACTERISTICS:		
Z @ 100MHz (Ω)	DCR (Ω)	Rated Current
Nominal	300	
Minimum	225	
Maximum	375	0.35
		400 mA

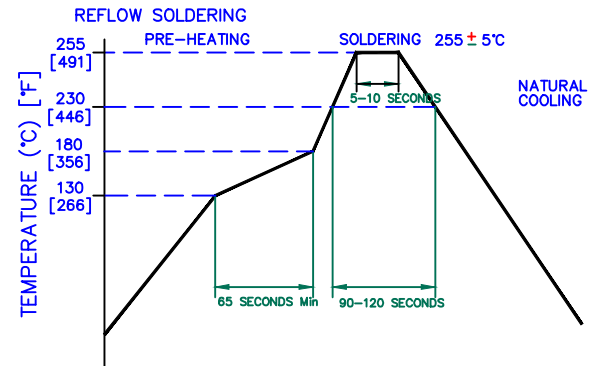
Z vs FREQUENCY
IMPEDANCE UNDER DC BIAS



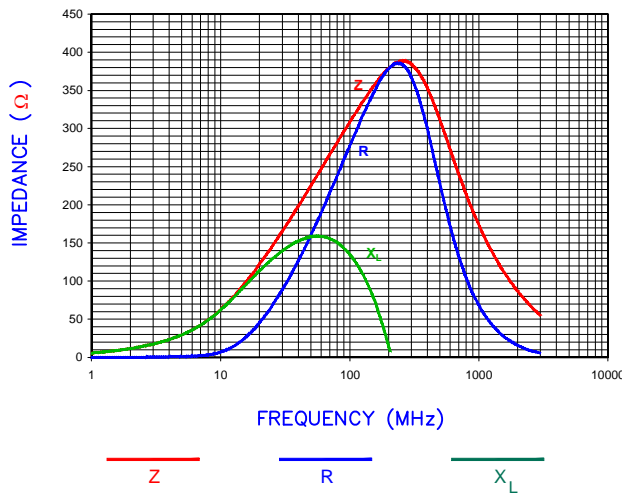
LAND PATTERNS FOR REFLOW SOLDERING



RECOMMENDED SOLDERING CONDITIONS



|Z|, R, AND X vs. FREQUENCY



(For wave soldering, add 0.762 [.030] to this dimension)



DIMENSIONS ARE IN mm [INCHES].				This print is the property of Laird Tech. and is loaned in confidence subject to return upon request and with the understanding that no copies shall be made without the written consent of Laird Tech. All rights to design or invention are reserved.		Laird					
C	ADD OPERATING TEMPERATURE UPDATE LAIRD LOGO AND REFLOW CURVE	08/05/13	QU	PROJECT/PART NUMBER:	LI0603D301R-10	REV	C	PART TYPE:	CO-FIRE	DRAWN BY:	JRK
B	UPDATE COMPANY LOGO ADD ROHS SYM	07/14/08	JRK	DATE:	03/11/04	SCALE:	-	SHEET:	-		
A	ORIGINAL DRAFT	03/11/04	JRK	CAD #		TOOL #	-				
REV	DESCRIPTION	DATE	INT	LI0603D301R-10-C							