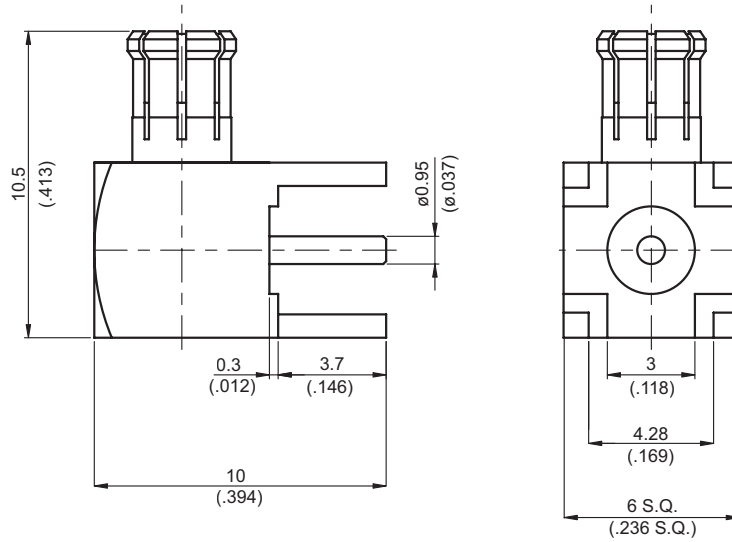
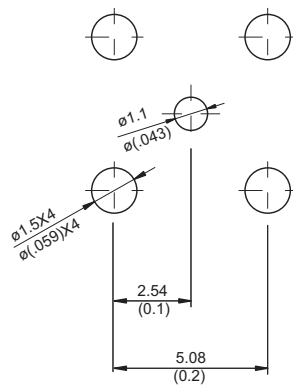


MCX3475-9000

MCX Plug P.C.B. Mount Right Angle 75Ω



MOUNTING HOLE :



Parts	Material	Plating (Micro-inch)
Contact Pin	Brass	Gold 20 Over Nickel 50 Over Copper 50
Insulator	Teflon	
Body	Phosphor Bronze	Gold 5 Over Nickel 50 Over Copper 50

Weight:

Notice: JYEBAO reserves the right to make modifications deemed appropriate.