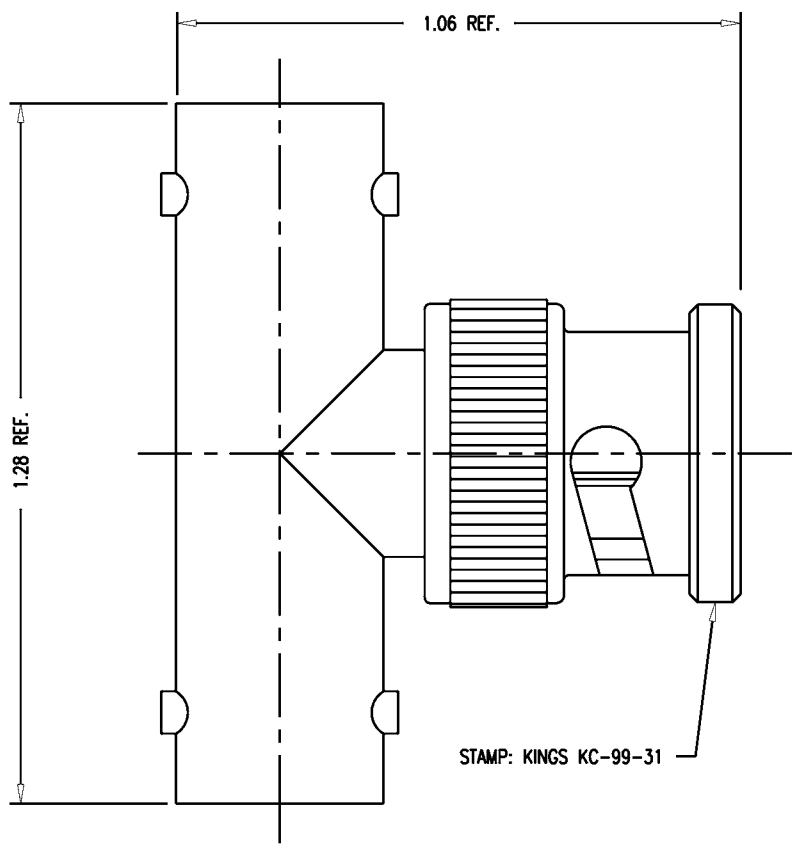


DASH NO.	M CODE	MADE FROM
----------	--------	-----------

# GSD

KC-99-31

REVISIONS	
ISSUE	CHANGES
4	CN 33144 C REDRAWN JCA 06/11/91
5	CN 35741 C KVH 09/06/94



**NOTES:**

- MATERIALS:**  
 INSULATORS: TEFLON, ASTM-D-1457  
 GASKET: SIL. RUB., QQ-R-765  
 OUTER CONTACT: PHOS. BRONZE, QQ-B-750  
 SPRING WASHER } BER. COP., ASTM-D-196  
 CONTACT F }  
 ALL OTHER PARTS: BRASS, ASTM-B16
- FINISHES:**  
 CENTER CONTACTS: SILVER PLATE PER QQ-S-365  
 ALL OTHER METAL PARTS: KINGS TARNISH RESISTANT FINISH (TR-5)
- ELECTRICAL CHARACTERISTICS:**  
 NOMINAL IMPEDANCE: 50 OHMS  
 VOLTAGE RATING: 500 VRMS  
 FREQUENCY RANGE: DC TO 4 GHz

JCA1730

SCALE	4:1	
APPROX SURFACE AREA		
USED ON		
REF:		
ADPT, F-M-F, TEE, BNC		
DRAWN	JCA	DATE 06/11/91
DESIGN	UJ	DATE 06/11/91
APPR.		DATE

# GSD

**KINGS**  
 ELECTRONICS CO., INC.  
 TUCKAHOE, NEW YORK 10707

KC-99-31