



Integrated Device Technology, Inc.

MULTILEVEL PIPELINE REGISTER

IDT29FCT520A
IDT29FCT520B
IDT29FCT520C

FEATURES:

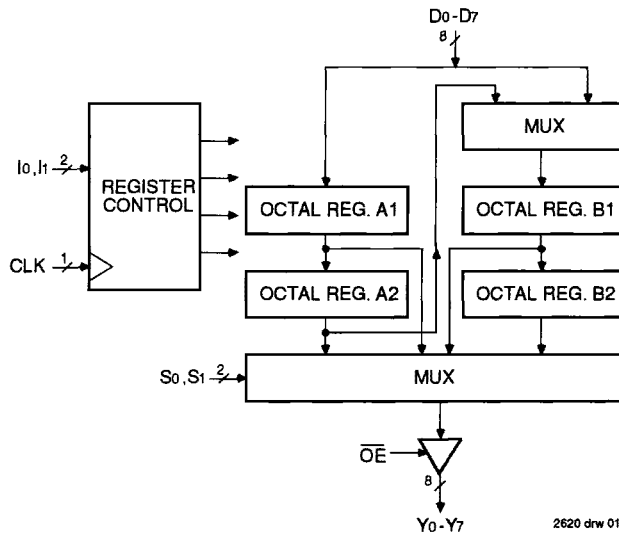
- Equivalent to AMD's Am29520 bipolar Multilevel Pipeline Register in pinout/function, speed and output drive over full temperature and voltage supply extremes
- Four 8-bit high-speed registers
- Dual two-level or single four-level push-only stack operation
- All registers available at multiplexed output
- Hold, transfer and load instructions
- Provides temporary address or data storage
- IOL = 48mA (commercial), 32mA (military)
- CMOS power levels (1mW typ. static)
- Substantially lower input current levels than AMD's bipolar (5µA typ.)
- TTL input and output level compatible
- CMOS output level compatible
- Manufactured using advanced CEMOS™ processing
- Available in 300 mil plastic and hermetic DIP, as well as LCC, SOIC and CERPACK
- Product available in Radiation Tolerant and Radiation Enhanced versions
- Military product compliant to MIL-STD-883, Class B

DESCRIPTION:

The IDT29FCT520A/B/C contains four 8-bit positive edge-triggered registers. These may be operated as a dual 2-level or as a single 4-level pipeline. A single 8-bit input is provided and any of the four registers is available at the 8-bit, 3-state output.

In the IDT29FCT520A/B/C when data is entered into the first level ($l = 2$ or $l = 1$), the existing data in the first level is moved to the second level. Transfer of data to the second level is achieved using the 4-level shift instruction ($l = 0$). This transfer also causes the first level to change.

FUNCTIONAL BLOCK DIAGRAM



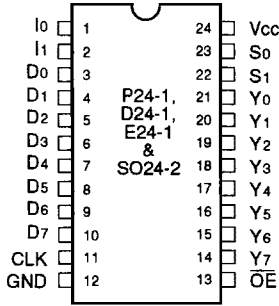
6

CEMOS is a trademark of Integrated Device Technology, Inc.

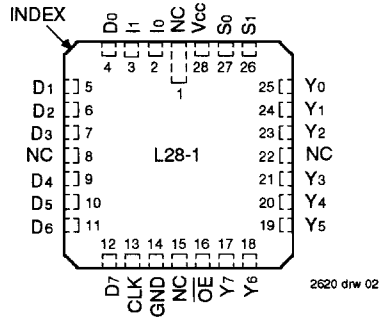
MILITARY AND COMMERCIAL TEMPERATURE RANGES

MAY 1992

PIN CONFIGURATIONS



**DIP/CERPACK/SOIC
TOP VIEW**



**LCC
TOP VIEW**

2620 drw 02

DEFINITION OF FUNCTIONAL TERMS

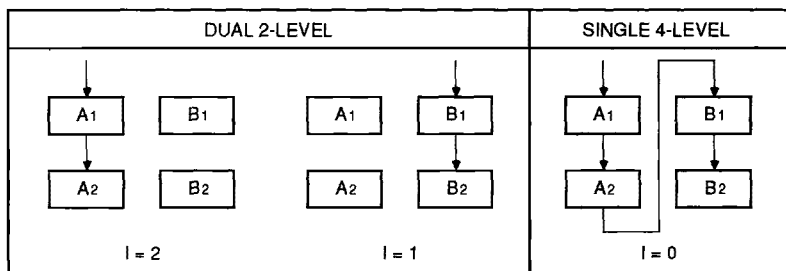
Pin Names	Description
D _n	Register input port.
CLK	Clock input. Enter data into registers on LOW-to-HIGH transitions.
I ₀ , I ₁	Instruction inputs. See Figure 1 and Instruction Control Tables.
S ₀ , S ₁	Multiplexer select. Inputs either register A ₁ , A ₂ , B ₁ or B ₂ data to be available at the output port.
\overline{OE}	Output enable for 3-state output port
Y _n	Register output port.

2620 tbl 01

REGISTER SELECTION

S ₁	S ₀	Register
0	0	B ₂
0	1	B ₁
1	0	A ₂
1	1	A ₁

2620 tbl 02



NOTE:
1. I = 3 for hold.

2620 drw 03

Figure 1. Data Loading in 2-Level Operation

ABSOLUTE MAXIMUM RATINGS⁽¹⁾

Symbol	Rating	Commercial	Military	Unit
V _{TERM} ⁽²⁾	Terminal Voltage with Respect to GND	-0.5 to +7.0	-0.5 to +7.0	V
V _{TERM} ⁽³⁾	Terminal Voltage with Respect to GND	-0.5 to V _{CC}	-0.5 to V _{CC}	V
T _A	Operating Temperature	0 to +70	-55 to +125	°C
T _{BIAS}	Temperature Under Bias	-55 to +125	-65 to +135	°C
T _{STG}	Storage Temperature	-55 to +125	-65 to +150	°C
P _T	Power Dissipation	0.5	0.5	W
I _{OUT}	DC Output Current	120	120	mA

- NOTES: 2620 tbl 03
- Stresses greater than those listed under ABSOLUTE MAXIMUM RATINGS may cause permanent damage to the device. This is a stress rating only and functional operation of the device at these or any other conditions above those indicated in the operational sections of this specification is not implied. Exposure to absolute maximum rating conditions for extended periods may affect reliability. No terminal voltage may exceed V_{CC} by +0.5V unless otherwise noted.
 - Inputs and V_{CC} terminals.
 - Outputs and I/O terminals.

CAPACITANCE (T_A = +25°C, f = 1.0MHz)

Symbol	Parameter ⁽¹⁾	Conditions	Typ.	Max.	Unit
C _{IN}	Input Capacitance	V _{IN} = 0V	6	10	pF
C _{OUT}	Output Capacitance	V _{OUT} = 0V	8	12	pF

- NOTE: 2620 tbl 04
- This parameter is measured at characterization data but not tested.

DC ELECTRICAL CHARACTERISTICS OVER OPERATING RANGE

Following Conditions Apply Unless Otherwise Specified: $V_{LC} = 0.2V$, $V_{HC} = V_{CC} - 0.2V$

Commercial: $T_A = 0^{\circ}C$ to $+70^{\circ}C$, $V_{CC} = 5.0V \pm 5\%$; Military: $T_A = -55^{\circ}C$ to $+125^{\circ}C$, $V_{CC} = 5.0V \pm 10\%$

Symbol	Parameter	Test Conditions ⁽¹⁾	Min.	Typ. ⁽²⁾	Max.	Unit	
V_{IH}	Input HIGH Level	Guaranteed Logic HIGH Level	2.0	—	—	V	
V_{IL}	Input LOW Level	Guaranteed Logic LOW Level	—	—	0.8	V	
I_{IH}	Input HIGH Current	$V_{CC} = \text{Max.}$ $V_I = V_{CC}$	—	—	5	μA	
I_{IL}	Input LOW Current	$V_I = 2.7V$	—	—	5 ⁽⁴⁾		
		$V_I = 0.5V$	—	—	-5 ⁽⁴⁾		
		$V_I = GND$	—	—	-5		
I_{OZH}	Off State (High Impedance) Output Current	$V_{CC} = \text{Max.}$ $V_O = V_{CC}$	—	—	10	μA	
I_{OZL}			$V_O = 2.7V$	—	—		10 ⁽⁴⁾
			$V_O = 0.5V$	—	—		-10 ⁽⁴⁾
			$V_O = GND$	—	—		-10
V_{IK}	Clamp Diode Voltage	$V_{CC} = \text{Min.}$, $I_N = -18mA$	—	-0.7	-1.2	V	
I_{OS}	Short Circuit Current	$V_{CC} = \text{Max.}$ ⁽³⁾ , $V_O = GND$	-60	-120	—	mA	
V_{OH}	Output HIGH Voltage	$V_{CC} = 3V$, $V_{IN} = V_{LC}$ or V_{HC} , $I_{OH} = -32\mu A$	V_{HC}	V_{CC}	—	V	
		$V_{CC} = \text{Min.}$ $V_{IN} = V_{IH}$ or V_{IL}	$I_{OH} = -300\mu A$	V_{HC}	V_{CC}		—
			$I_{OH} = -12mA$ MIL.	2.4	4.3		—
			$I_{OH} = -15mA$ COM'L.	2.4	4.3		—
V_{OL}	Output LOW Voltage	$V_{CC} = 3V$, $V_{IN} = V_{LC}$ or V_{HC} , $I_{OL} = 300\mu A$	—	GND	V_{LC}	V	
		$V_{CC} = \text{Min.}$ $V_{IN} = V_{IH}$ or V_{IL}	$I_{OL} = 300\mu A$	—	GND		V_{LC} ⁽⁴⁾
			$I_{OL} = 32mA$ MIL.	—	0.3		0.5
			$I_{OL} = 48mA$ COM'L.	—	0.3		0.5

NOTES:

1. For conditions shown as Max. or Min., use appropriate value specified under Electrical Characteristics for the applicable device type.
2. Typical values are at $V_{CC} = 5.0V$, $+25^{\circ}C$ ambient and maximum loading.
3. Not more than one output should be shorted at one time. Duration of the short circuit test should not exceed one second.
4. This parameter is guaranteed but not tested.

2620 tbl 05

POWER SUPPLY CHARACTERISTICS $V_{LC} = 0.2V$, $V_{HC} = V_{CC} - 0.2V$

Symbol	Parameter	Test Conditions ⁽¹⁾		Min.	Typ. ⁽²⁾	Max.	Unit
I _{CC}	Quiescent Power Supply Current	V _{CC} = Max. V _{IN} ≥ V _{HC} ; V _{IN} ≤ V _{LC}		—	0.2	1.5	mA
ΔI _{CC}	Quiescent Power Supply Current, TTL Input HIGH	V _{CC} = Max. V _{IN} = 3.4V ⁽³⁾		—	0.5	2.0	mA
I _{CCD}	Dynamic Power Supply Current ⁽⁴⁾	V _{CC} = Max., Outputs Open OE = GND One Input Toggling 50% Duty Cycle	V _{IN} ≥ V _{HC} V _{IN} ≤ V _{LC}	—	0.15	0.25	mA/ MHz
I _C	Total Power Supply Current ⁽⁶⁾	V _{CC} = Max., Outputs Open f _{CP} = 10MHz 50% Duty Cycle OE = GND One Bit Toggling at f _i = 5MHz, 50% Duty Cycle	V _{IN} ≥ V _{HC} V _{IN} ≤ V _{LC} (FCT)	—	1.7	4.0	mA
			V _{IN} = 3.4V V _{IN} = GND	—	2.2	6.0	
		V _{CC} = Max., Outputs Open f _{CP} = 10MHz 50% Duty Cycle OE = GND Eight Bits Toggling at f _i = 5MHz, 50% Duty Cycle	V _{IN} ≥ V _{HC} V _{IN} ≤ V _{LC} (FCT)	—	7.0	12.8 ⁽⁵⁾	
			V _{IN} = 3.4V V _{IN} = GND	—	9.2	21.8 ⁽⁵⁾	

NOTES:

- For conditions shown as Max. or Min., use appropriate value specified under Electrical Characteristics for the applicable device type.
- Typical values are at V_{CC} = 5.0V, +25°C ambient.
- Per TTL driven input (V_{IN} = 3.4V); all other inputs at V_{CC} or GND.
- This parameter is not directly testable, but is derived for use in Total Power Supply calculations.
- Values for these conditions are examples of the I_{CC} formula. These limits are guaranteed but not tested.
- I_C = I_{QUIESCENT} + I_{INPUTS} + I_{DYNAMIC}
 $I_C = I_{CC} + \Delta I_{CC} D_H N_T + I_{CCD} (f_{CP}/2 + f_i N_i)$
 I_{CC} = Quiescent Current
 ΔI_{CC} = Power Supply Current for a TTL High Input (V_{IN} = 3.4V)
 D_H = Duty Cycle for TTL Inputs High
 N_T = Number of TTL inputs at D_H
 I_{CCD} = Dynamic Current Caused by an Input Transition Pair (HLH or LHL)
 f_{CP} = Clock Frequency for Register Devices (Zero for Non-Register Devices)
 f_i = Input Frequency
 N_i = Number of Inputs at f_i
 All currents are in milliamps and all frequencies are in megahertz.

2620 tbl 06

SWITCHING CHARACTERISTICS OVER OPERATING RANGE

Symbol	Parameter	Condition ⁽¹⁾	IDT54/74FCT520A				IDT54/74FCT520B				IDT54/74FCT520C				Unit
			Com'l.		Mil.		Com'l.		Mil.		Com'l.		Mil.		
			Min. ⁽²⁾	Max.	Min. ⁽²⁾	Max.	Min. ⁽²⁾	Max.	Min. ⁽²⁾	Max.	Min. ⁽²⁾	Max.	Min. ⁽²⁾	Max.	
tPHL	Propagation Delay CLK to Y _n	CL = 50pF RL = 500Ω	2.0	14.0	2.0	16.0	2.0	7.5	2.0	8.0	2.0	6.0	2.0	7.0	ns
tPLH	Propagation Delay So or S ₁ to Y _n		2.0	13.0	2.0	15.0	2.0	7.5	2.0	8.0	2.0	6.0	2.0	7.0	ns
tsu	Set-up Time HIGH or LOW D _n to CLK		5.0	—	6.0	—	2.5	—	2.8	—	2.5	—	2.8	—	ns
th	Hold Time HIGH or LOW D _n to CLK		2.0	—	2.0	—	2.0	—	2.0	—	2.0	—	2.0	—	ns
tsu	Set-up Time HIGH or LOW I ₀ or I ₁ to CLK		5.0	—	6.0	—	4.0	—	4.5	—	4.0	—	4.5	—	ns
th	Hold Time HIGH or LOW I ₀ or I ₁ to CLK		2.0	—	2.0	—	2.0	—	2.0	—	2.0	—	2.0	—	ns
tPHZ	Output Disable Time		1.5	12.0	1.5	13.0	1.5	7.0	1.5	7.5	1.5	6.0	1.5	6.0	ns
tPZH	Output Enable Time		1.5	15.0	1.5	16.0	1.5	7.5	1.5	8.0	1.5	6.0	1.5	7.0	ns
tw	Clock Pulse Width HIGH or LOW		7.0	—	8.0	—	5.5	—	6.0	—	5.5	—	6.0	—	ns

NOTES:

1. See test circuit and waveforms.
2. Minimum units are guaranteed but not tested on Propagation Delays.

2620 tbl 07