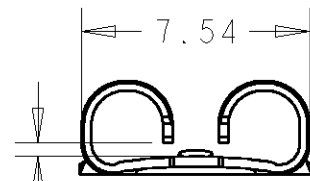
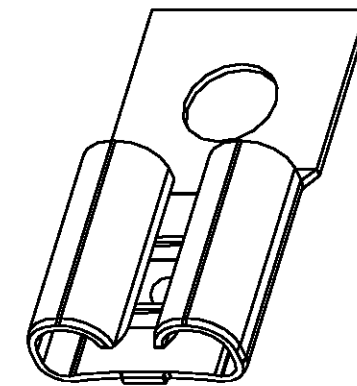
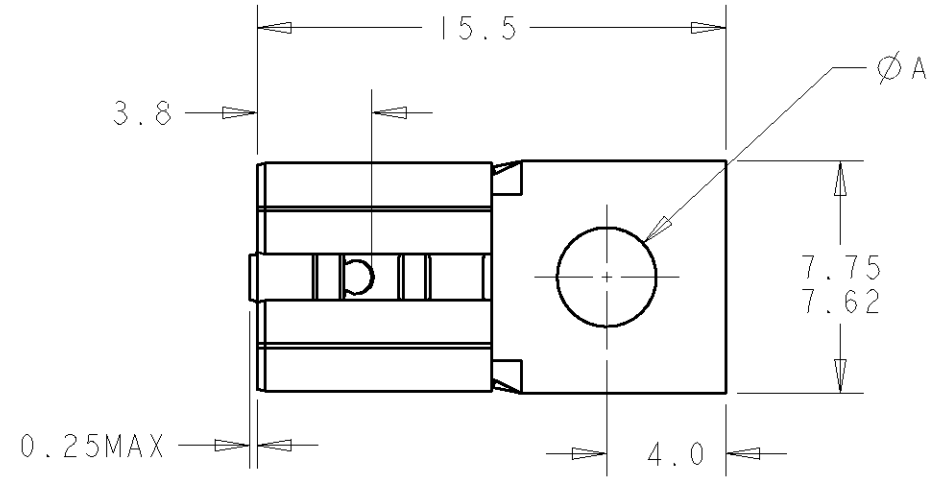
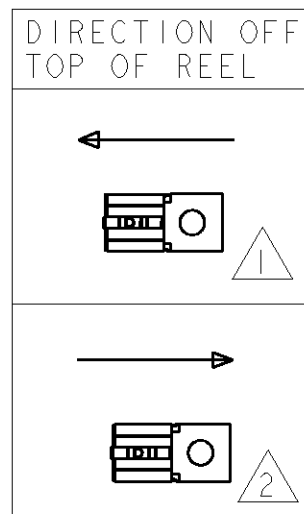
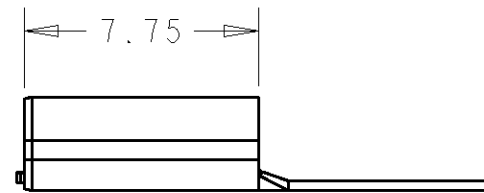


THIS DRAWING IS UNPUBLISHED. RELEASED FOR PUBLICATION 20
 © COPYRIGHT 20 BY TYCO ELECTRONICS CORPORATION. ALL RIGHTS RESERVED.

LOC	DIST	REVISIONS					
		P	LTR	DESCRIPTION	DATE	DWN	APVD
B	E		F	ECR-09-005096	04/03/09	MJG	JA



TO FIT
0.8 TAB



2	2.41/2.49	PRE TIN	BRASS	1-151939-4
2	2.41/2.49	NONE	BRASS	1-151939-3
2	3.28	NONE	BRASS	1-151939-1
2	3.18	NONE	BRASS	1-151939-0
1	2.41/2.49	PRE TIN	BRASS	151939-4
1	2.41/2.49	NONE	BRASS	151939-3
1	3.28	ELECTRO TIN	BRASS	151939-2
1	3.28	NONE	BRASS	151939-1
1	3.18	NONE	BRASS	151939
REELING	ØA DIM	FINISH	MATERIAL	PART NO

THIS DRAWING IS A CONTROLLED DOCUMENT FOR TYCO ELECTRONICS CORPORATION IT IS SUBJECT TO CHANGE AND THE CONTROLLING ENGINEERING ORGANIZATION SHOULD BE CONTACTED FOR THE LATEST REVISION.

DIMENSIONS:	TOLERANCES UNLESS OTHERWISE SPECIFIED:
mm	
	0 PLC ±0.4
	1 PLC ±0.4
	2 PLC ±0.4
	3 PLC ±0.4
	4 PLC ±0.4
	ANGLES ±0.5
MATERIAL	FINISH
See Table	-

DWN	M.GREENER	04MAR2009	Tyco Electronics UK Ltd. Bideford, North Devon, EX39 4HE	
CHK	J.AMBROSE	04MAR2009		
APVD	J.AMBROSE	04MAR2009		
PRODUCT SPEC	-			
APPLICATION SPEC	-		NAME	FASTON TAB ADAPTOR
WEIGHT	-		SIZE	A3
CUSTOMER DRAWING	-		CAGE CODE	00779
	-		DRAWING NO	151939
	-		RESTRICTED TO	-
	-		SCALE	4:1
	-		SHEET	1 OF 1
	-		REV	F