



TAI-SAW TECHNOLOGY CO., LTD.

No. 3, Industrial 2nd Rd., Ping-Chen Industrial District,
Taoyuan, 324, Taiwan, R.O.C.
TEL: 886-3-4690038 FAX: 886-3-4697532
E-mail: tstsales@mail.taisaw.com Web: www.taisaw.com

Product Specifications Approval Sheet

Product Description: LTCC Filter 5887.5 MHz SMD 2.5x2.0 mm (75MHz BW)

TST Part No.: TL0032DA2592

Customer Part No.: _____

Customer signature required
Company: _____
Division: _____
Approved by : _____
Date: _____

Checked by: _____ Nina Chen *Nina Chen*

Approved by: _____ Kazuma Lee *Kazuma Lee*

Date: _____ 2022/05/05

1. Customer signed back is required before TST can proceed with sample build and receive orders.
2. Orders received without customer signed back will be regarded as agreement on the specifications.
3. Any specifications changes must be approved upon by both parties and a new revision of specifications shall be released to reflect the change



TAI-SAW TECHNOLOGY CO., LTD.

No. 3, Industrial 2nd Rd., Ping-Chen Industrial District,
Taoyuan, 324, Taiwan, R.O.C.

TEL: 886-3-4690038 FAX: 886-3-4697532

E-mail: tstsales@mail.taisaw.com Web: www.taisaw.com

LTCC Filter 5887.5 MHz SMD 2.5X2.0 mm (75 MHz BW)

MODEL NO.: TL0032DA2592

REV.1

A. Maximum Rating:

1. Input power: 1W
2. Operating temperature range: -40°C to +105°C
3. Storage temperature range: -40 °C to +85°C
4. Moisture Sensitive Level: Level 1 (MSL1)

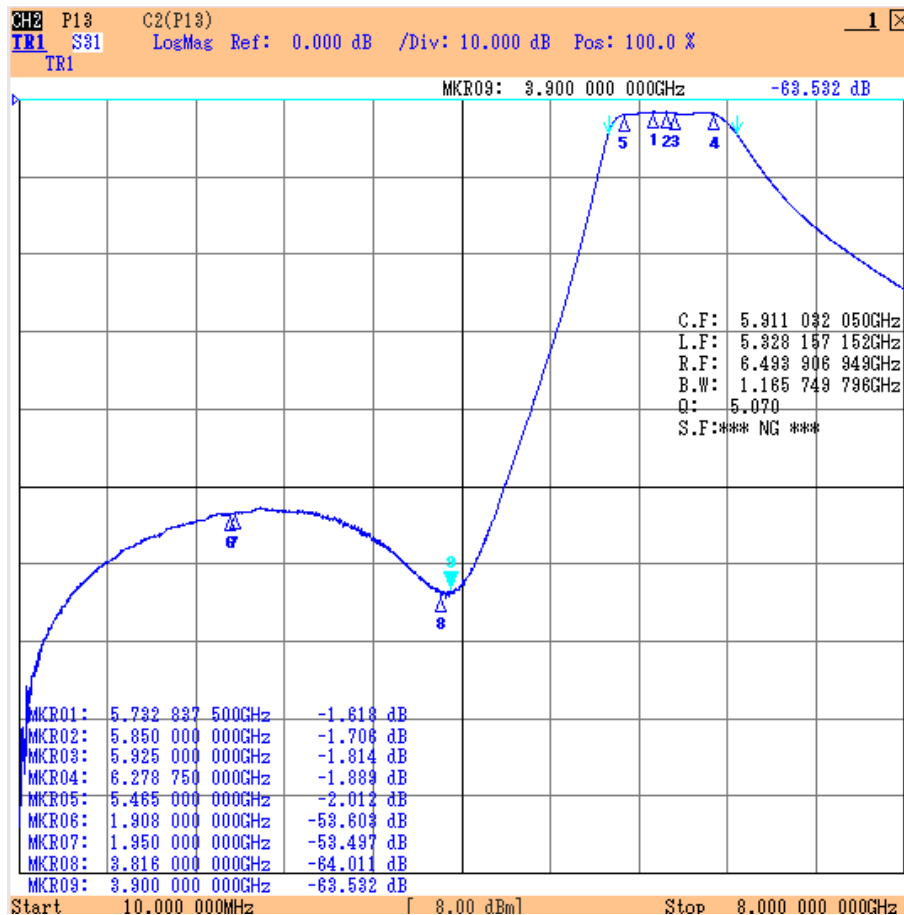
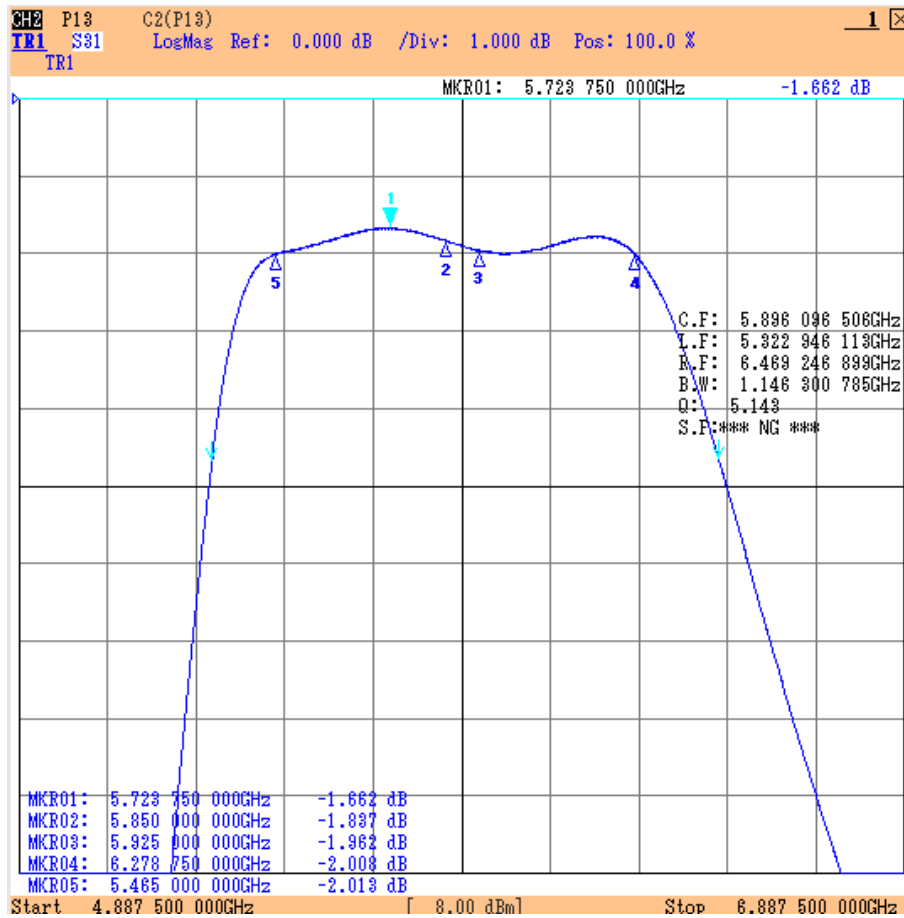
RoHS Compliant
Lead free
Lead-free soldering

Electrostatic Sensitive Device (ESD)

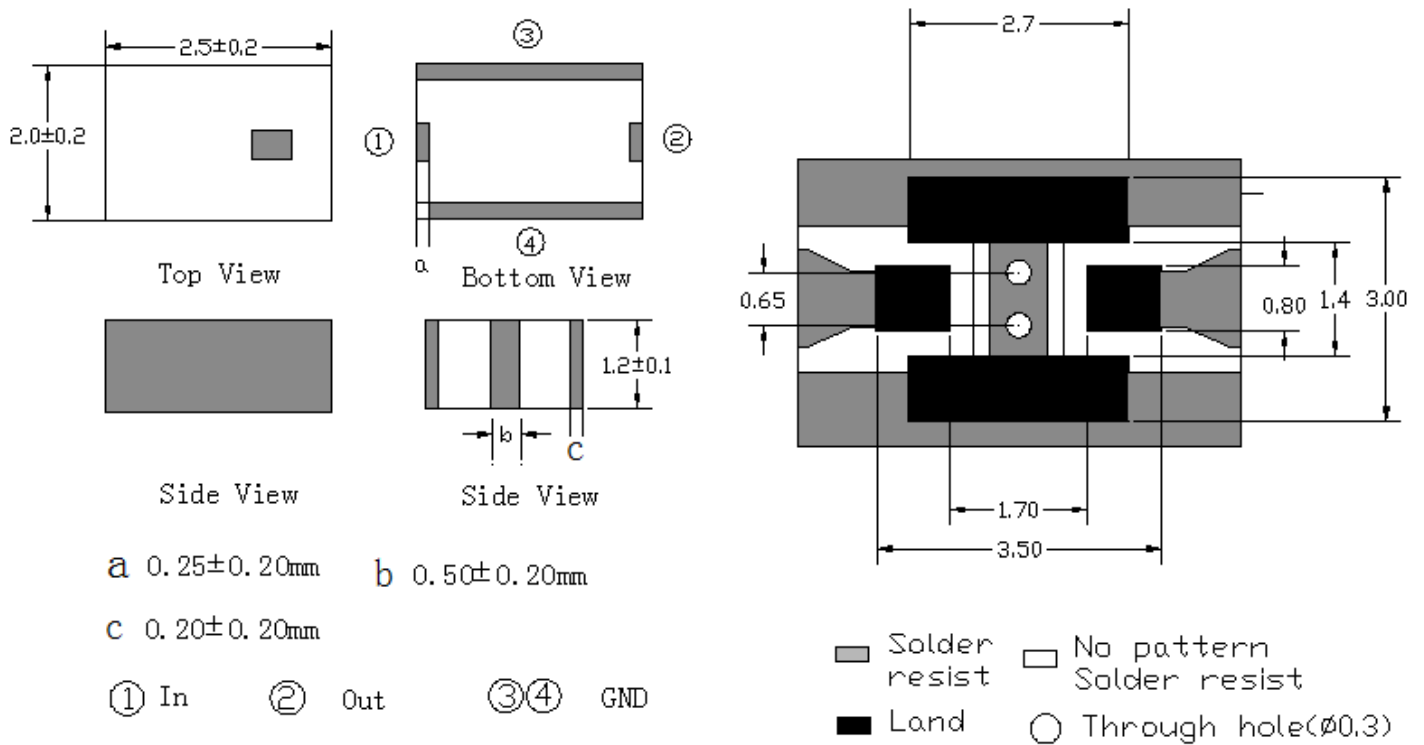
B. Electrical Characteristics:

Item	Unit	Min	Typ	Max	
Center Frequency	MHz	5850	5887.5	5925	
Insertion Loss (5850 ~ 5925) 25°C IL	dB	-	1.86	2.2	
Return Loss (in BW)	dB	10	14	-	
Attenuation (dB)	1908 ~ 1950 MHz	dB	50	62	-
	3816 ~ 3900 MHz	dB	47	52	-
	11450 ~ 11700 MHz	dB	25	36	-

C. Frequency Characteristics:



D. Outline Drawing:

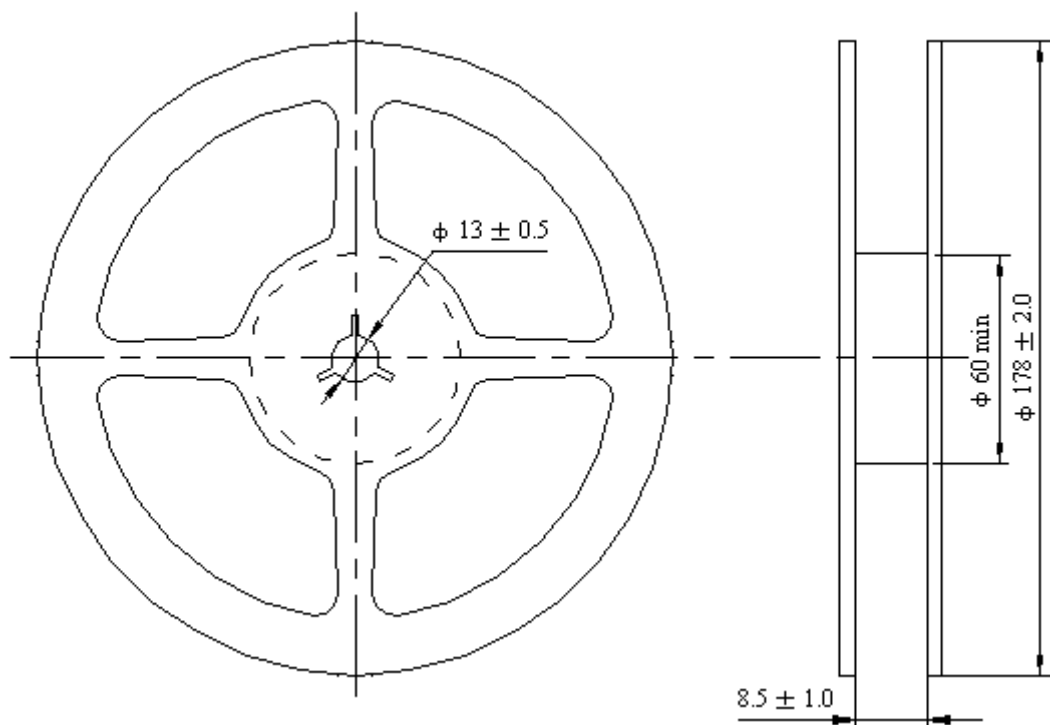


※Line width should be designed to match 50Ω characteristic impedance, depending on PCB material and thickness.

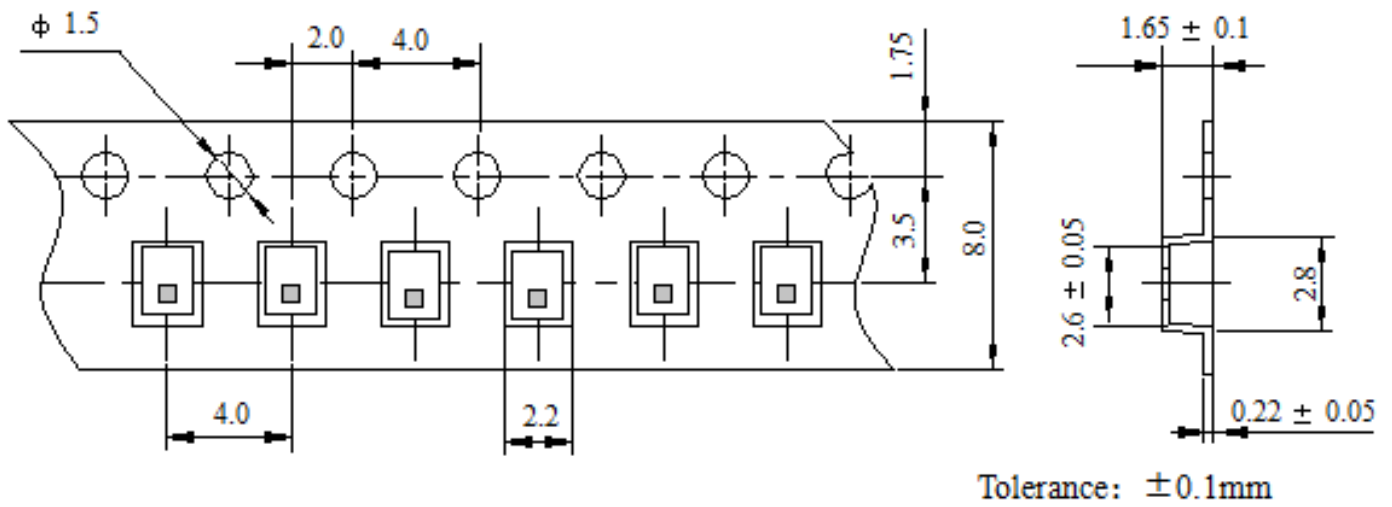
E. Packing:

1. Reel Dimension (2500 PCS/Reel)

(Please refer to FR-75D10 for packing quantity)



2. Tape Dimension (Unit: mm)



F. Recommended Solder Profile:

