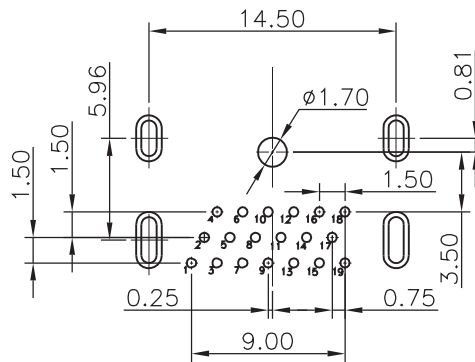
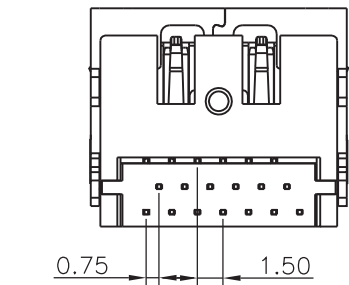
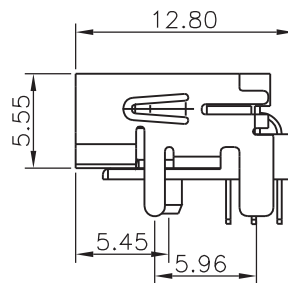
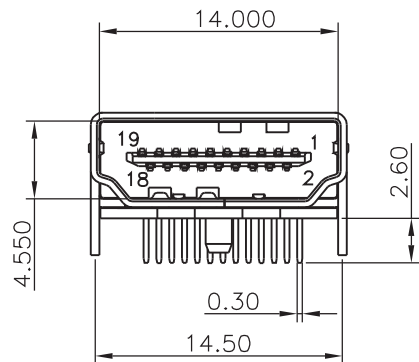


Material:

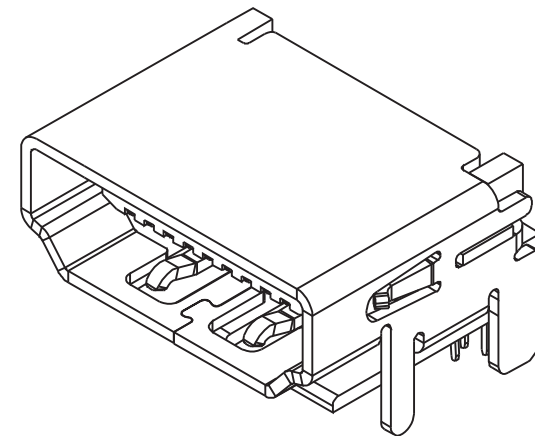
- Insulator: Hi-Temp Plastic UL 94V-0
- Contact: Copper Alloy T=0.20MM
- Shell: Coppey Alloy T=0.50MM
- Housing: Thermoplastic (LCP+GF)
- Shell Plating: Nickel

Electrical:

- Contact Current Rating: 0.5 Amperes
- Dielectric Withstanding Voltage: 300V AC R.M.S.
- Insulation Resistance: 100MΩ Min.
- Contact Resistance: 30MΩ Max.
- Operating Temperature: -20°C ~ +85°C



RECOMMENDED P.C BOARD LAYOUT



⊕ = Assmann logo



ITEM NO.	A-HDMI284-19F-B-E-02-04-R
TITLE	HDMI Connector - Dip 90° Female, 19 Pin, Black Insulator, Contact Plating 15μ"

ASSMANN
Electronics, Inc.

1840 W. Drake Drive, Suite 101 • Tempe, AZ 85283
Toll Free: 1-877-277-6266 • Email: info@usa-assmann.com

THIS DRAWING IS UNPUBLISHED
©Copyright 2009 by Assmann Electronic Components
All International Rights Reserved