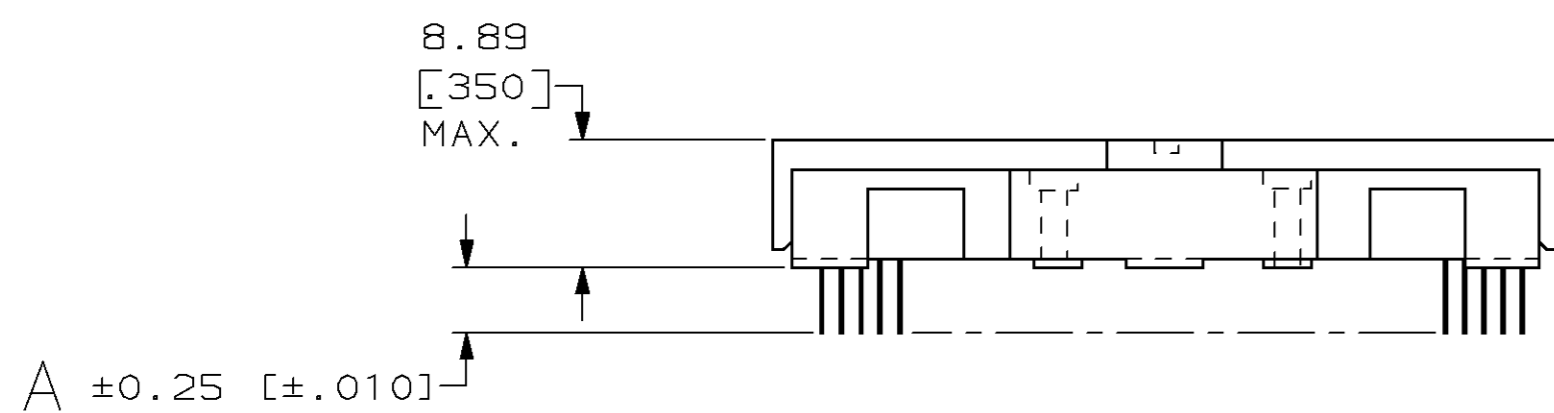
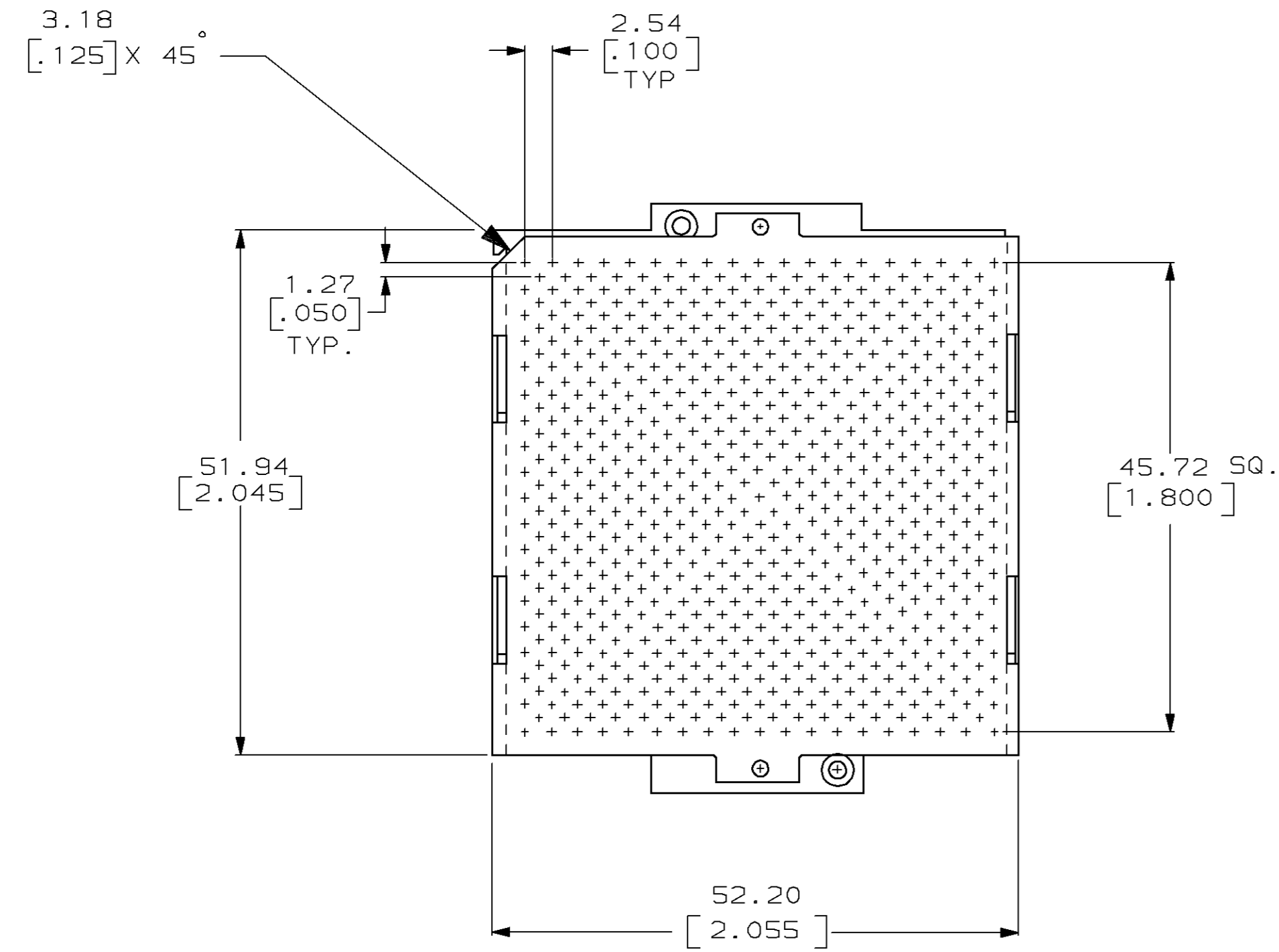


LOC		DIST		P		F		ZONE		LTR		REVISIONS			
AG	53											DESCRIPTION	DATE	APPD	
												T	OBSOLETE 1--2, 1--5, 1--7 & 1--8 PER 0440-0129-96	7-30-97	RT

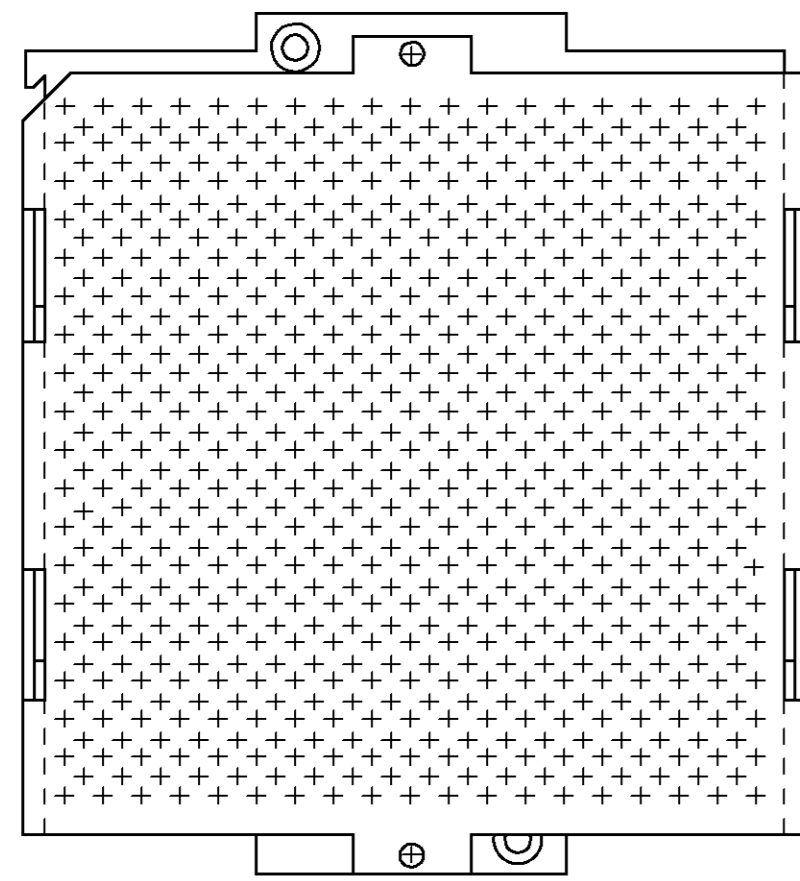


- SOCKET WILL ACCEPT ANY P.G.A PACKAGE WITH A PIN DIA OF 0.46 ± 0.05 $[.018 \pm .002]$ AND A LENGTH OF $3.81-5.33$ $[.150-.210]$ LOCATED ON TRUE POSITION OF 0.02 $[.008]$ (M)
- MAX DIMENSION INCLUDING ACTUATION TOOL
- PLATING, CONTACT AREA- 0.000762 $[.000030]$ MIN. THK. GOLD OVER 0.00127 $[.000050]$ MIN. THK. NICKEL PLATE. SOLDER TAIL- 0.0038 $[.000150]$ MIN. THK. TIN-LEAD OVER 0.00127 $[.000050]$ MIN. THK. NICKEL PLATE.
- AREA REQUIRED ON PC BOARD FOR ACTUATION TOOL (TYP, 4 PLACES).
- 23.37 $[.920]$ SQUARE CAVITY IS RECESSED 1.52 $[.060]$ DEEP.
- BOSSES ARE $\phi 1.52$ $[\phi .060]$ X 0.64 $[.025]$ HIGH, 2 PLACES, 1-382533-4 ONLY.

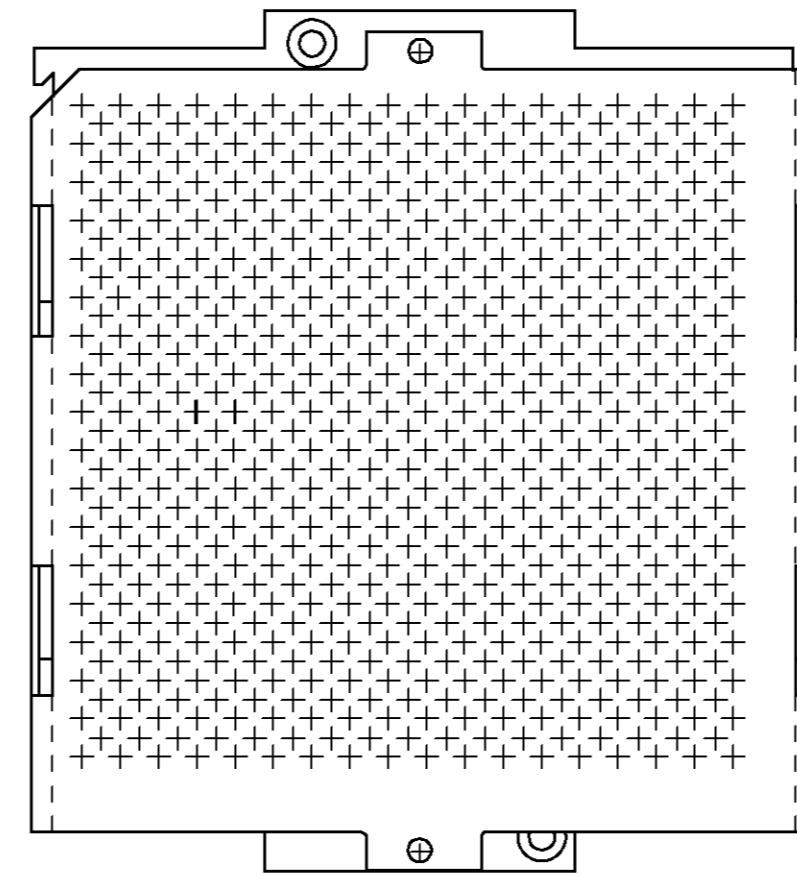
OBSOLETE	19 X 19	2.79 [.110]	320	1-382533-8
OBSOLETE	19 X 19	2.79 [.110]	296	1-382533-7
OBSOLETE	18 X 18	3.56 [.140]	431	1-382533-6
OBSOLETE	18 X 18	4.32 [.170]	305	1-382533-5
	18 X 18	3.56 [.140]	391	1-382533-4
OBSOLETE	18 X 18	4.32 [.170]	293	1-382533-3
OBSOLETE	19 X 19	2.79 [.110]	348	1-382533-2
OBSOLETE	19 X 19	2.79 [.110]	262	1-382533-1
	18 X 18	2.79 [.110]	325	1-382533-0
	18 X 18	4.32 [.170]	325	382533-9
OBSOLETE	19 X 19	4.32 [.170]	257	382533-8
OBSOLETE	19 X 19	4.32 [.170]	361	382533-7
	18 X 18	2.79 [.110]	391	382533-6
OBSOLETE	18 X 18	4.32 [.170]	223	382533-5
	18 X 18	4.32 [.170]	391	382533-4
OBSOLETE	18 X 18	4.32 [.170]	324	382533-3
OBSOLETE	18 X 18	4.32 [.170]	613	382533-2
OBSOLETE	19 X 19	4.32 [.170]	685	382533-1

GRID		A		POSN.		PART NO	
DO NOT SCALE PRINT. UNLESS SPECIFIED DIMENSIONS IN mm [INCHES]		DR 6-13-91 C. WHITT		AMP AMP Incorporated Harrisburg, PA 17105-3608			
TOLERANCES ON:		CHK 6-13-91 R. MILLER					
2 PLC DEC ± -		APPD 6-13-91 G. MASTEN		NAME			
3 PLC DEC ± 0.13 [.005]		APPD 6-13-91 E. RALSTON		SOCKET ASSY, 19 X 19			
ANGLES ± -		PRODUCT SPEC		TOOL ACTUATED ZIF			
MATERIAL HSG: POLYESTER, NATURAL		APPLICATION SPEC		SIZE	CAGE CODE	DRAWING NO	
COVER: POLYESTER, BLACK		-		D	00779	382533	
CONTACT: BE CU		-		SCALE	2:1	SHEET 1 OF 7	
SPRING: SST		-		CUSTOMER DRAWING			
FINISH		-					

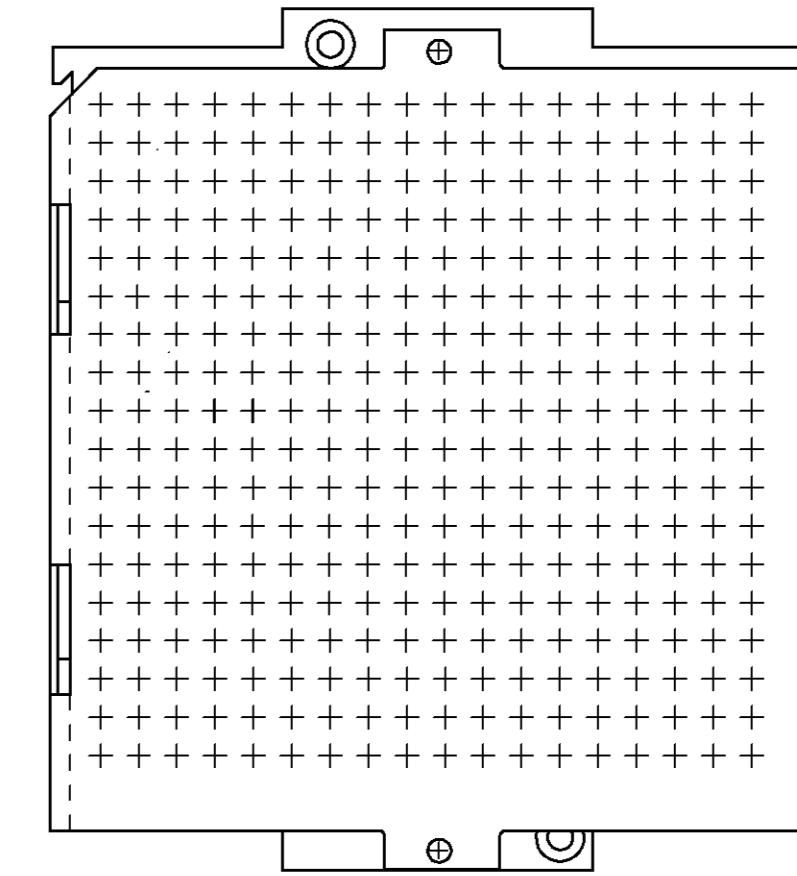
LOC		DIST		P			F			ZONE			LTR			REVISIONS		
AG	53																	
DESCRIPTION															DATE	APPD		
SEE SHEET 1															-	-		



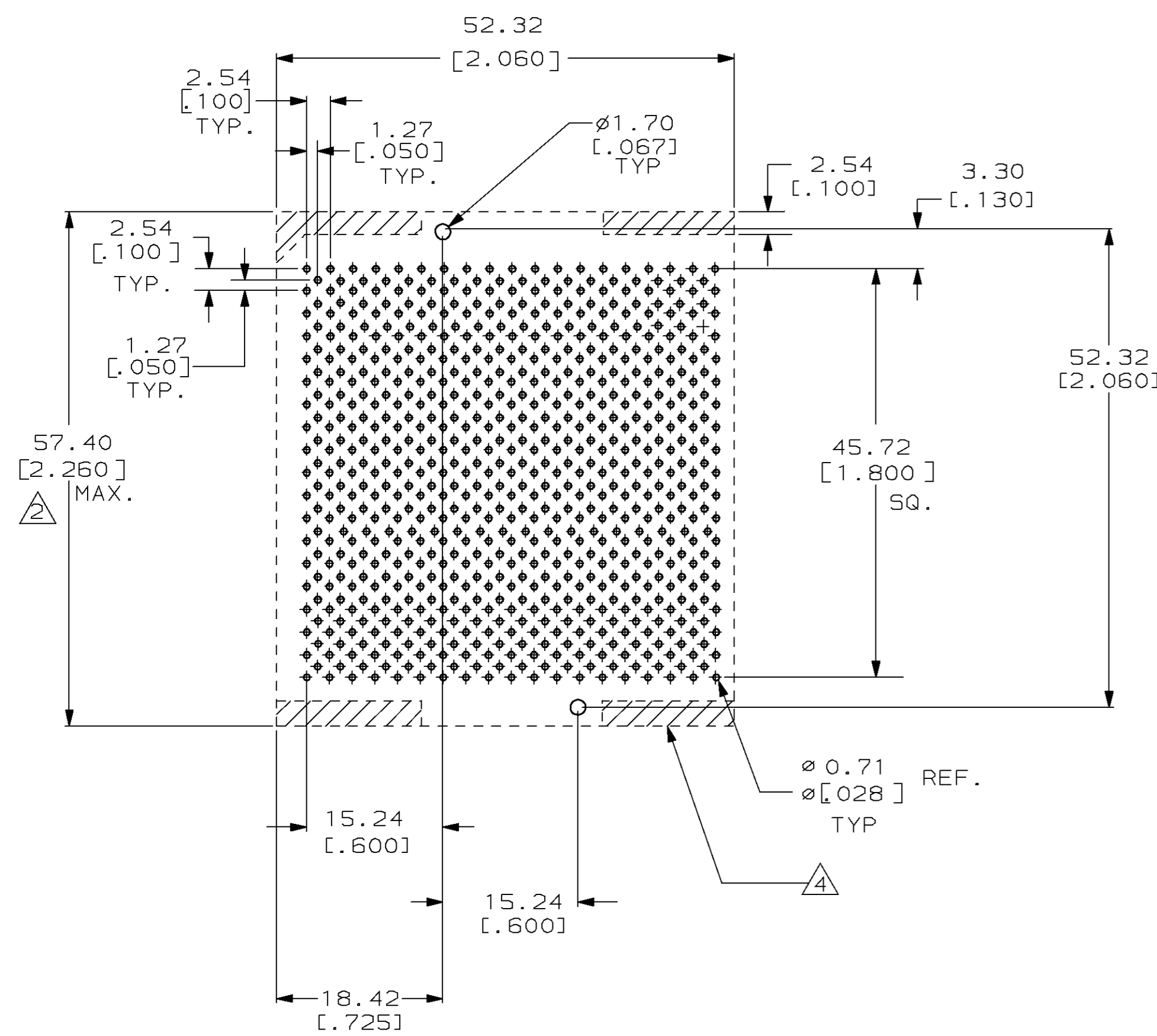
382533-1 685 POSITION



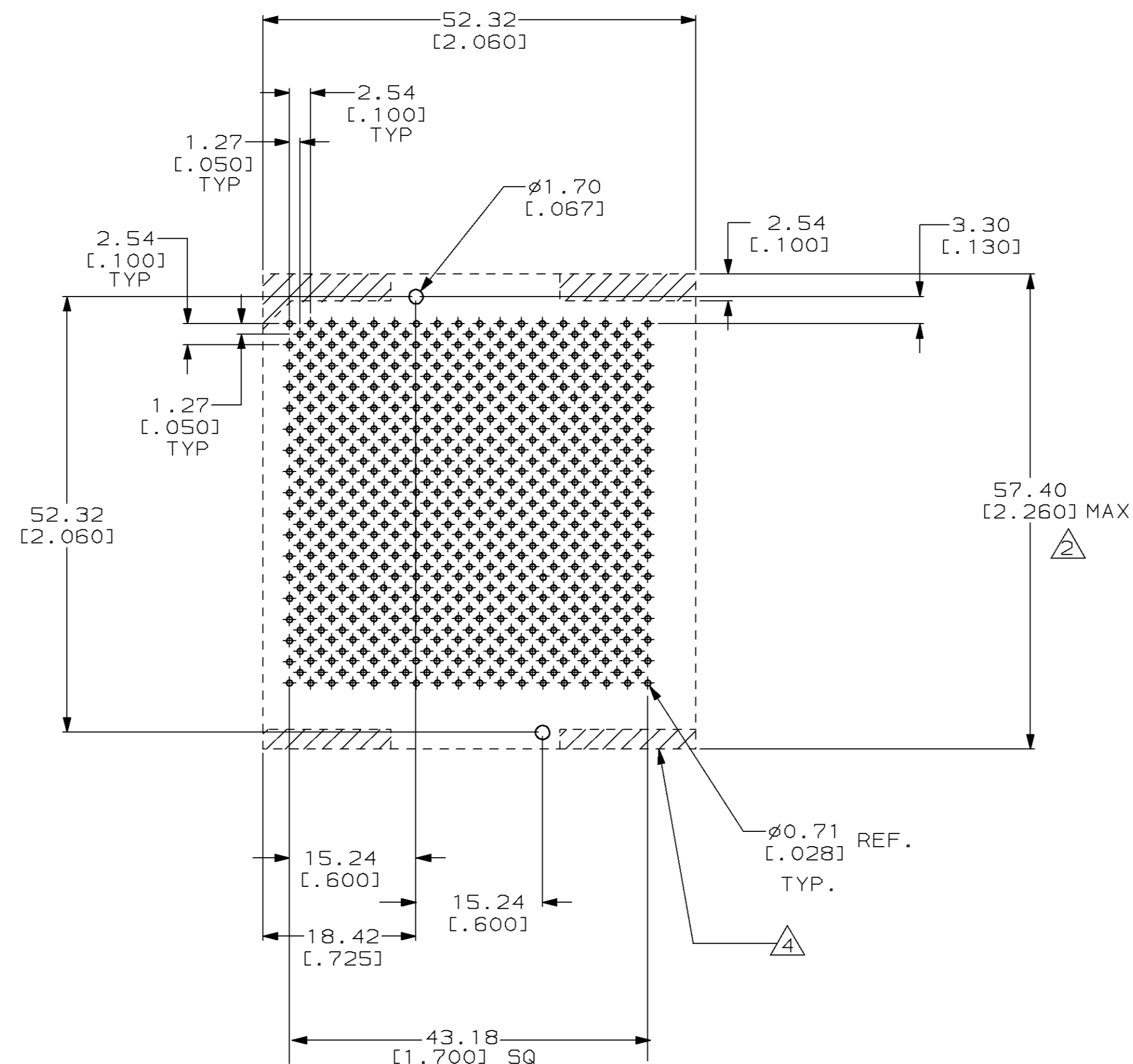
OBSOLETE
 382533-2 613 POSITION



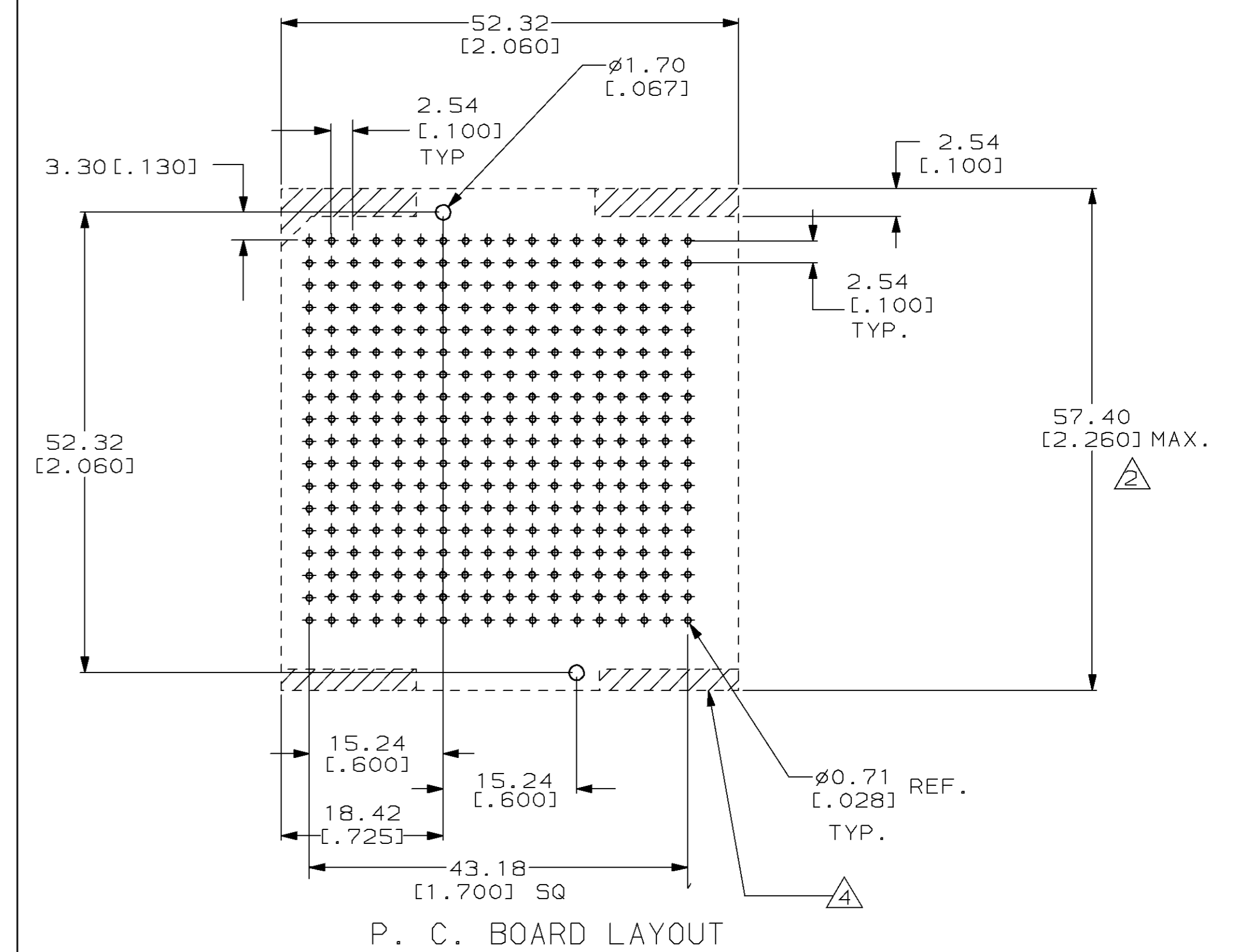
OBSOLETE
 382533-3 324 POSITION



P. C. BOARD LAYOUT



P. C. BOARD LAYOUT



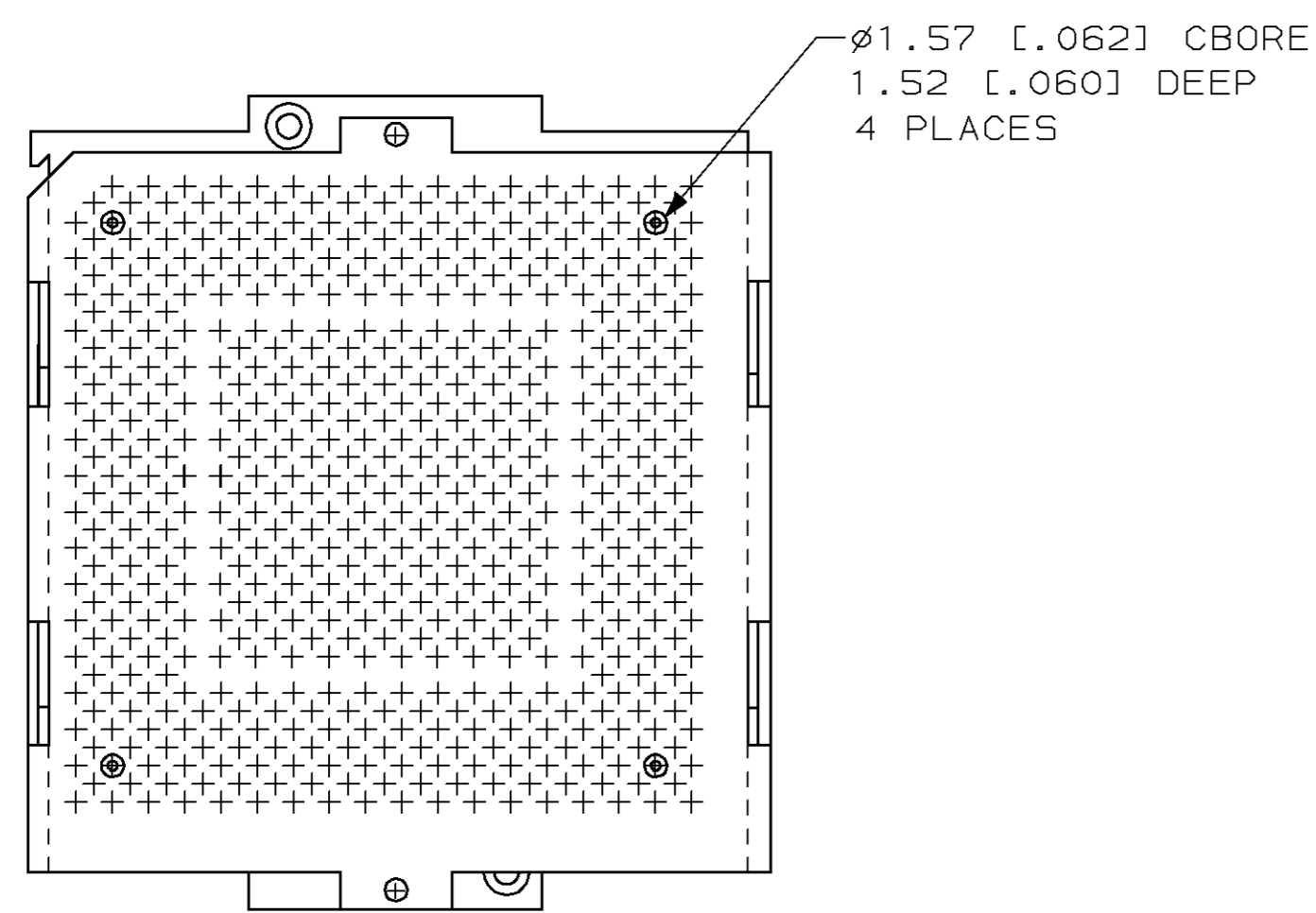
P. C. BOARD LAYOUT

DO NOT SCALE PRINT.
 UNLESS SPECIFIED
 DIMENSIONS IN mm [INCHES]
 TOLERANCES ON:
 2 PLC DEC ± -
 3 PLC DEC ± 0.13 [0.005]
 ANGLES ± -
 MATERIAL
 SEE SHEET 1
 FINISH
 SEE SHEET 1

DR 6-13-91
 C. WHITT
 CHK 6-13-91
 R. MILLER
 APPD 6-13-91
 G. GRANT
 APPD 6-13-91
 E. RALSTON
 PRODUCT SPEC
 -
 APPLICATION SPEC
 -
 WEIGHT -

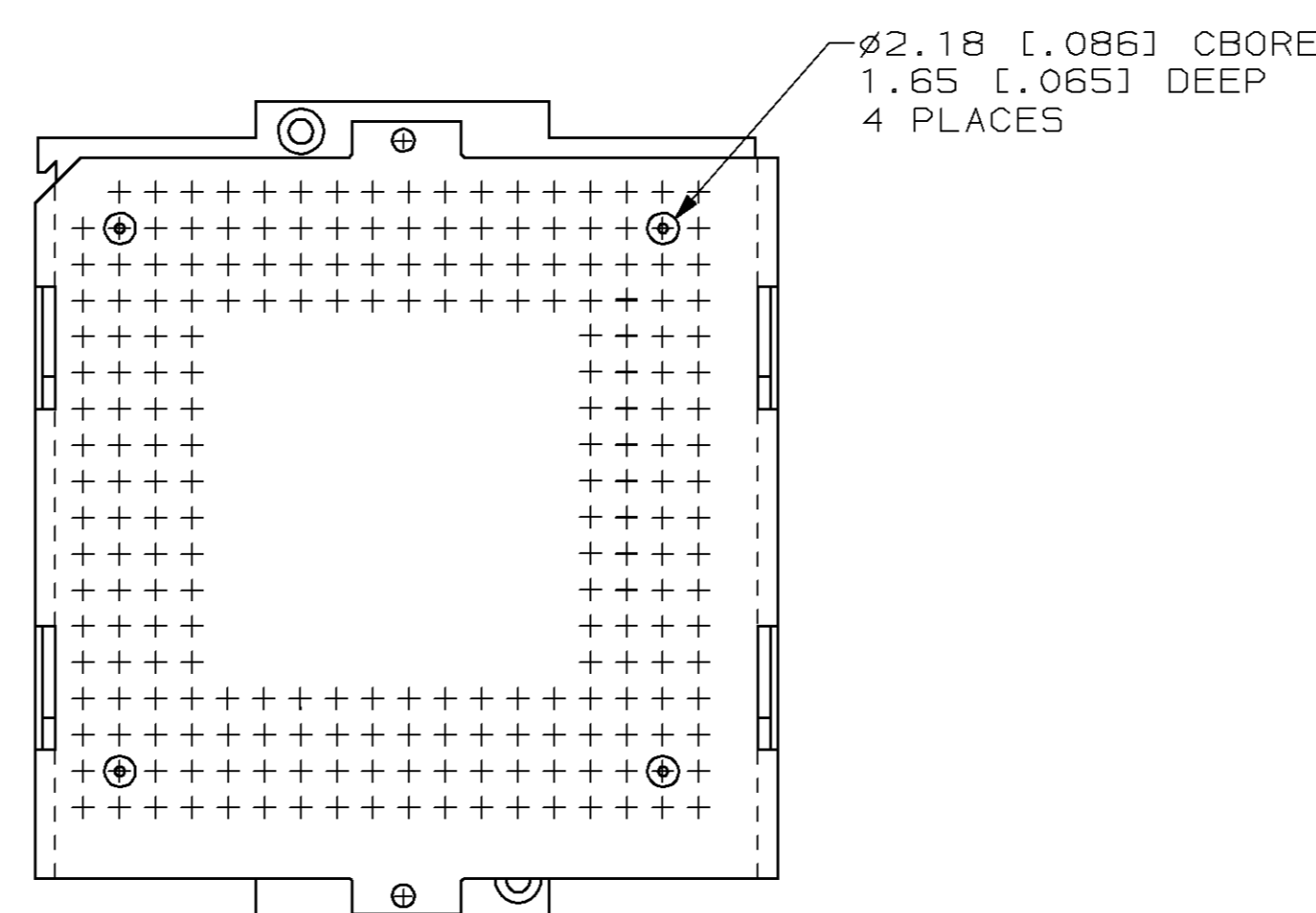
PART NO		
AMP AMP Incorporated Harrisburg, PA 17105-3608		
NAME		
SOCKET ASSY, 19 X 19 TOOL ACTUATED ZIF		
SIZE	CAGE CODE	DRAWING NO
D	00779	382533
SCALE	2:1	SHEET 2 OF 7

LOC		DIST		P		ZONE		LTR		REVISIONS		
AG	53									DESCRIPTION	DATE	APPD
										SEE SHEET 1	-	-



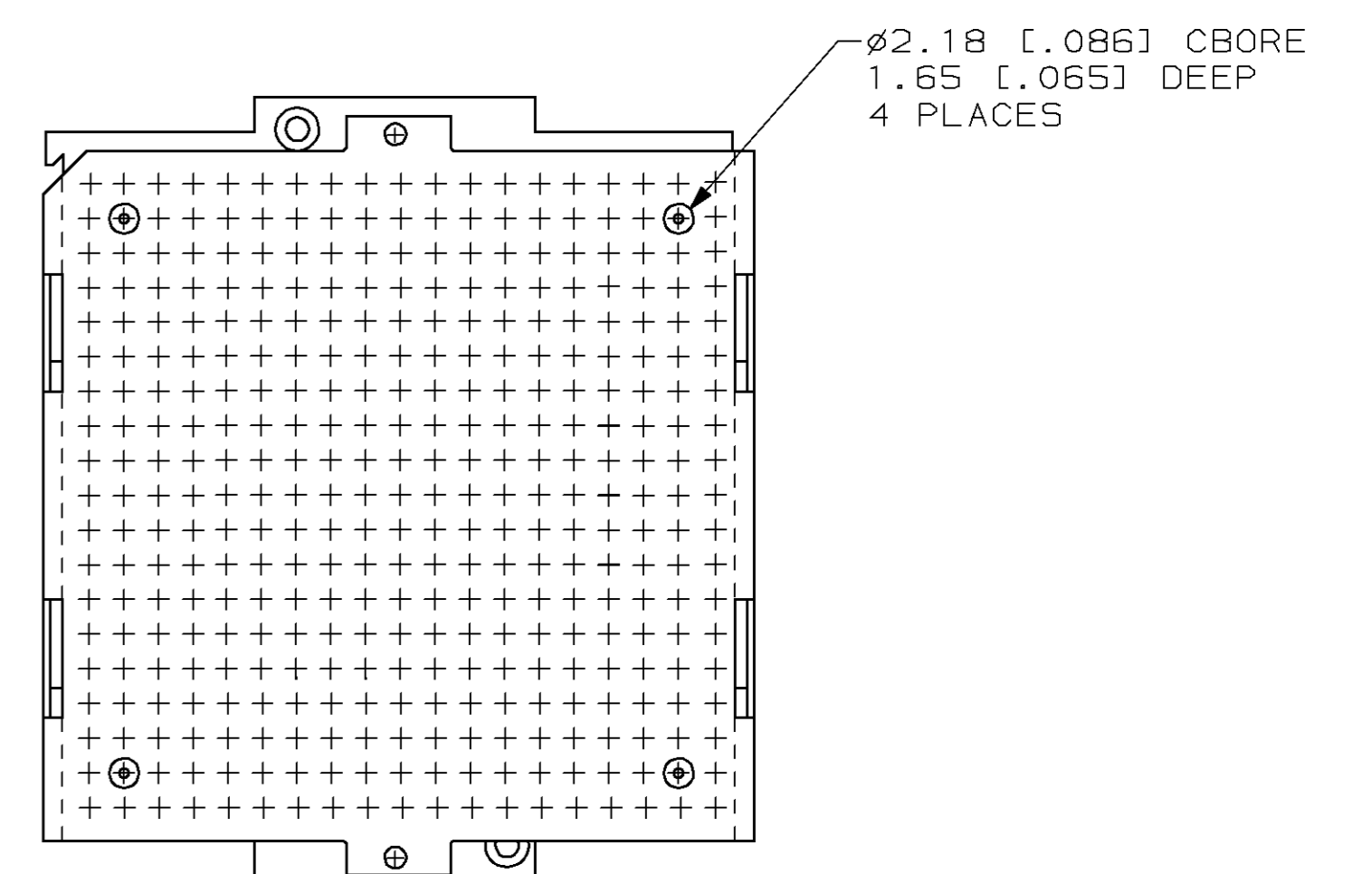
382533-4
382533-6

391 POSITION



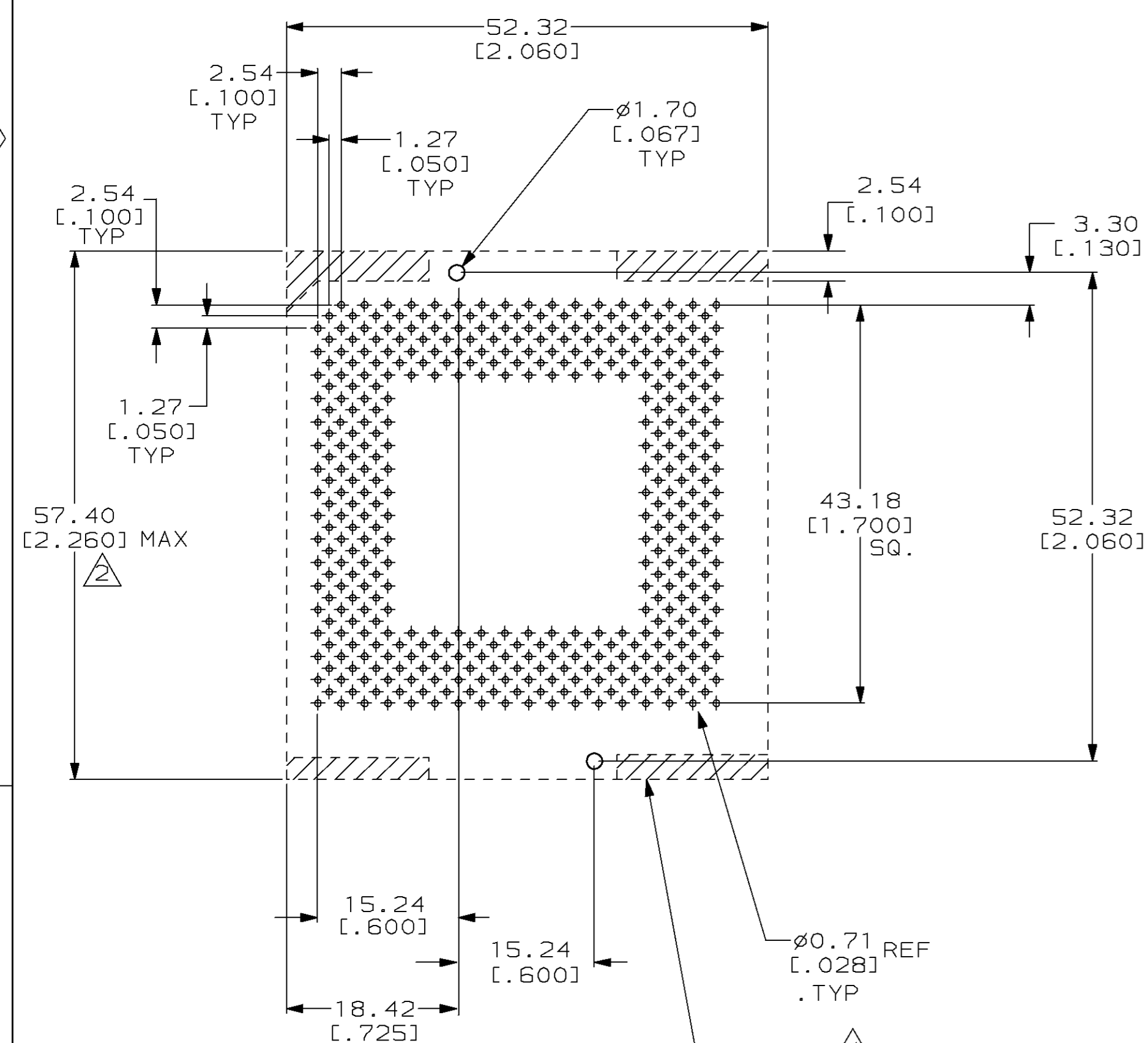
OBSOLETE
382533-5

223 POSITION

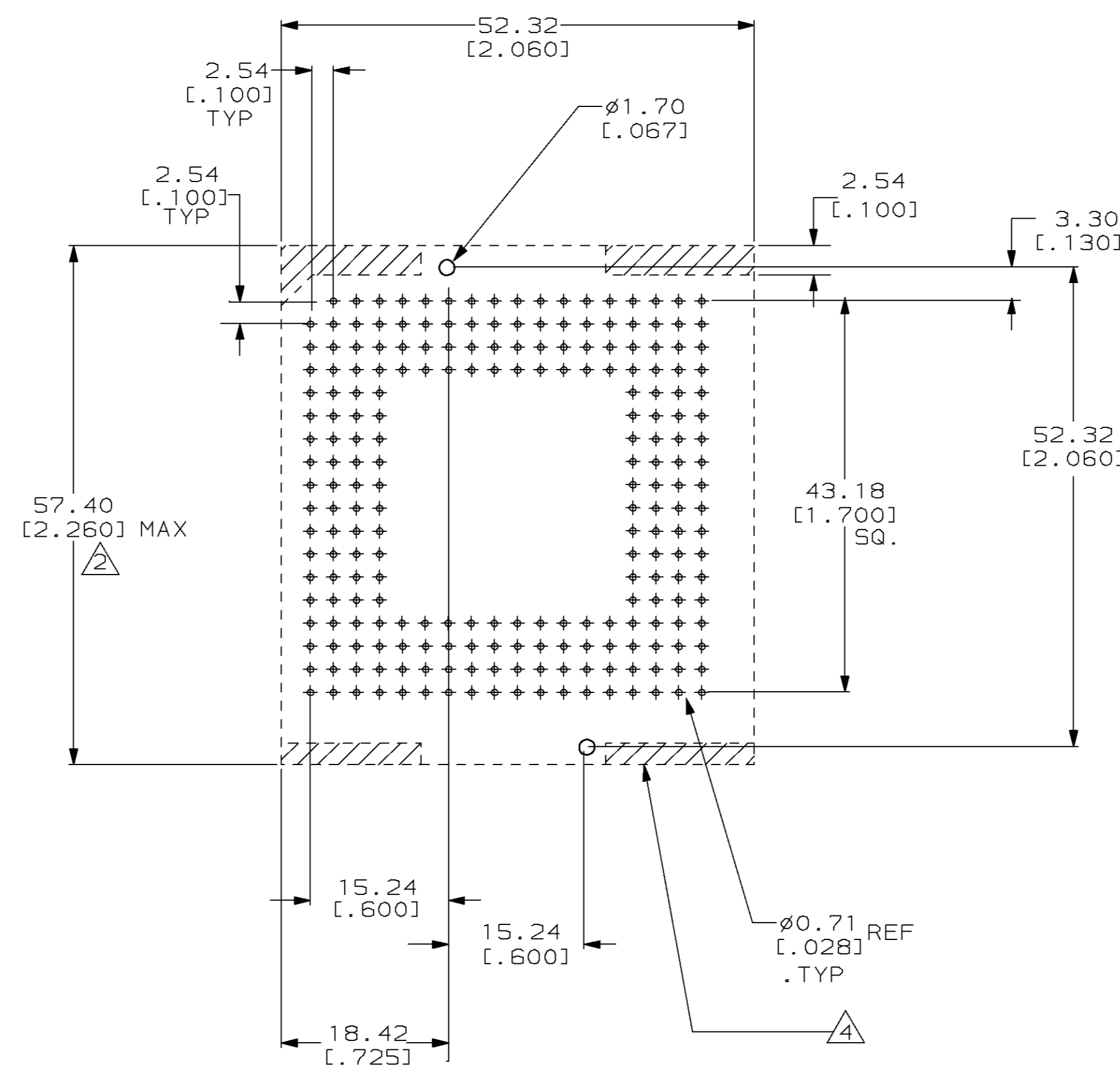


OBSOLETE
382533-7

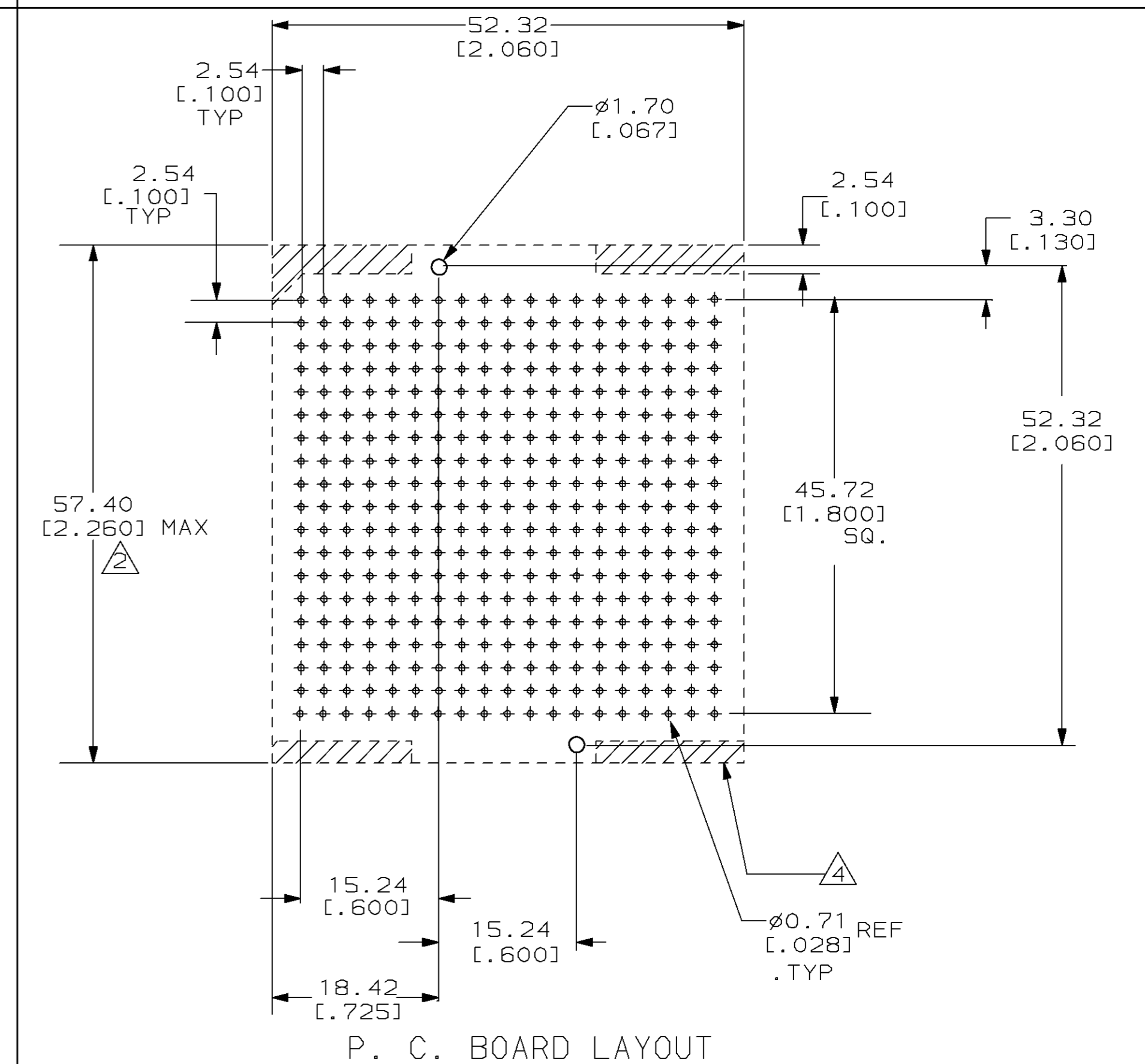
361 POSITION



P. C. BOARD LAYOUT



P. C. BOARD LAYOUT



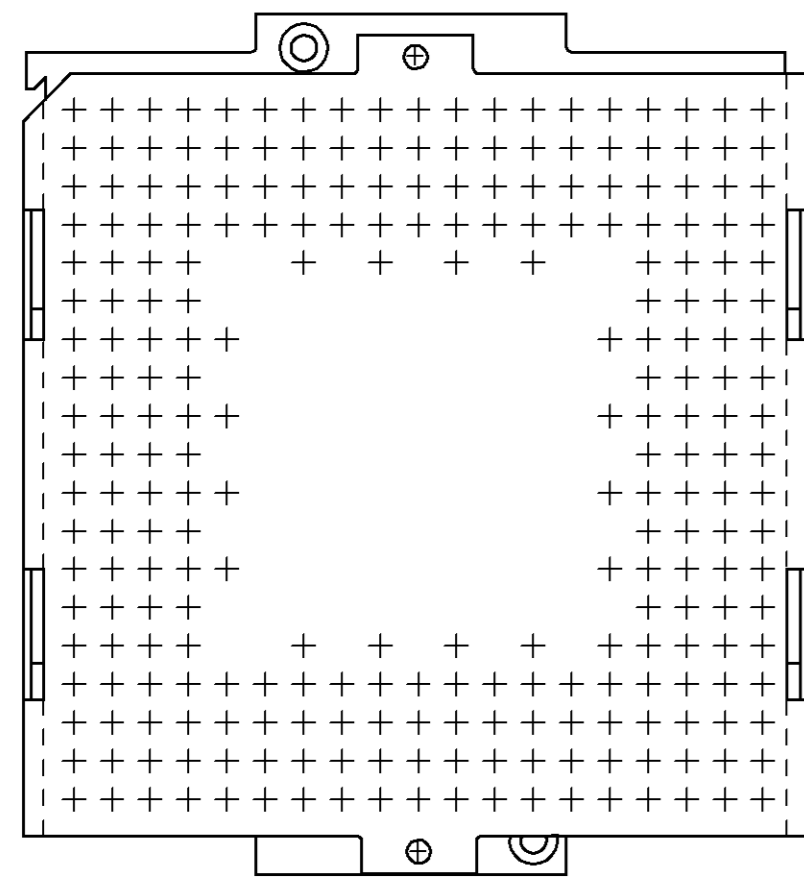
P. C. BOARD LAYOUT

DO NOT SCALE PRINT.
UNLESS SPECIFIED
DIMENSIONS IN mm [INCHES]
TOLERANCES ON:
2 PLC DEC ± -
3 PLC DEC ± 0.13 [.005]
ANGLES ± -
MATERIAL
SEE SHEET 1
FINISH
SEE SHEET 1

DR 6-13-91
C. WHITT
CHK 6-13-91
R. MILLER
APPD 6-13-91
G. MASTEN
APPD 6-13-91
E. RALSTON
PRODUCT SPEC
-
APPLICATION SPEC
-
WEIGHT
-

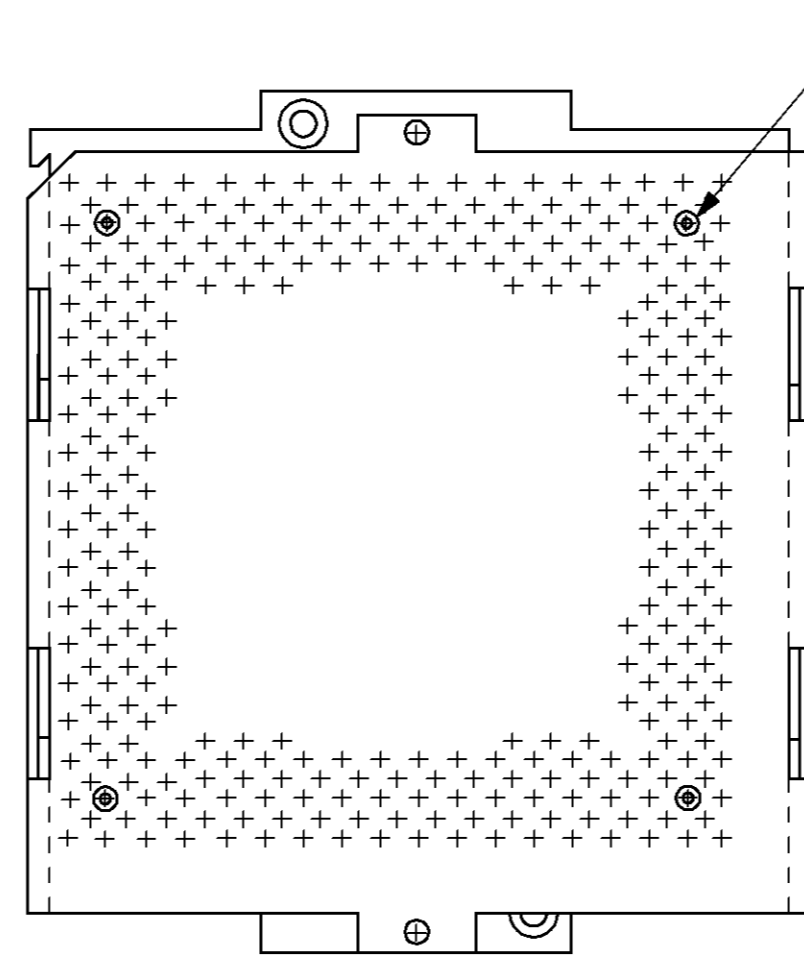
PART NO
AMP AMP Incorporated
Harrisburg, PA 17105-3608
NAME
**SOCKET ASSY, 19 X 19
TOOL ACTUATED ZIF**
SIZE **D** CAGE CODE 00779 DRAWING NO 382533
SCALE 2:1 SHEET 3 OF 7

LOC		DIST		REVISIONS		
AG	53	P	F	ZONE	LTR	DESCRIPTION
						SEE SHEET 1
						DATE
						APPD



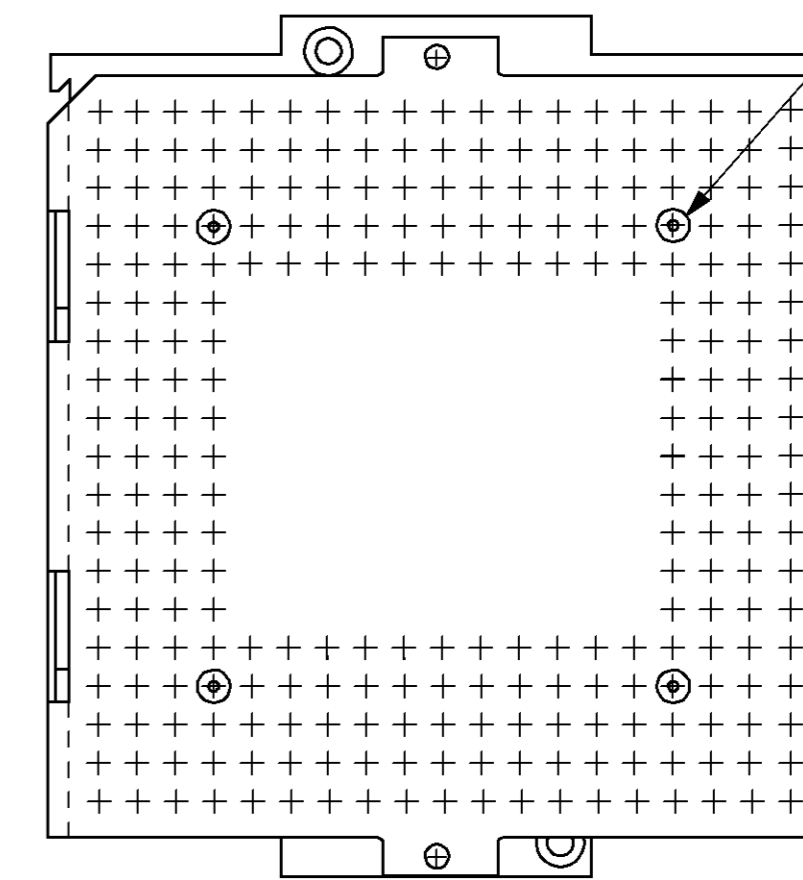
257 POSITION

OBSOLETE
382533-8



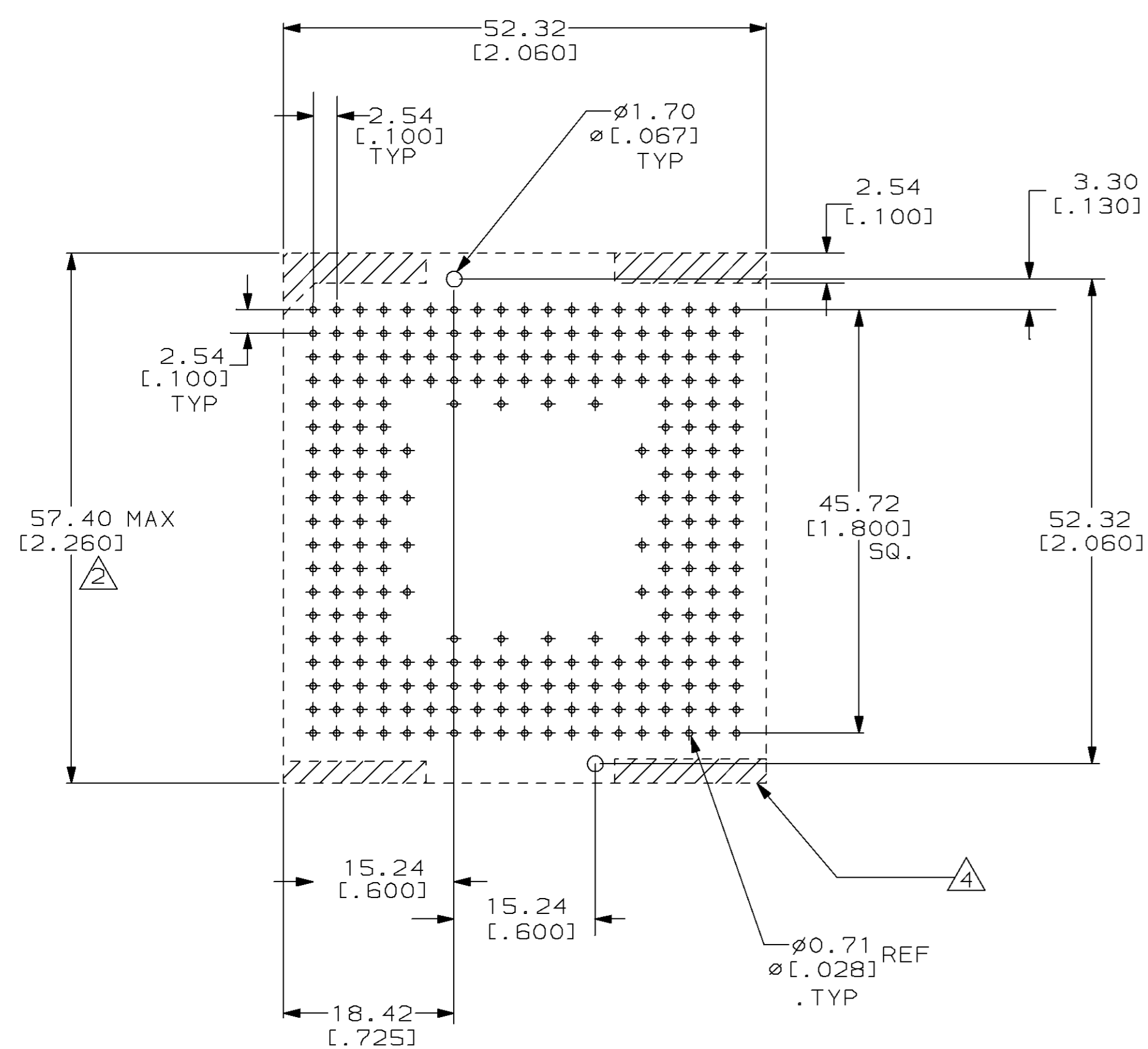
382533-9
1-382533-0

325 POSITION

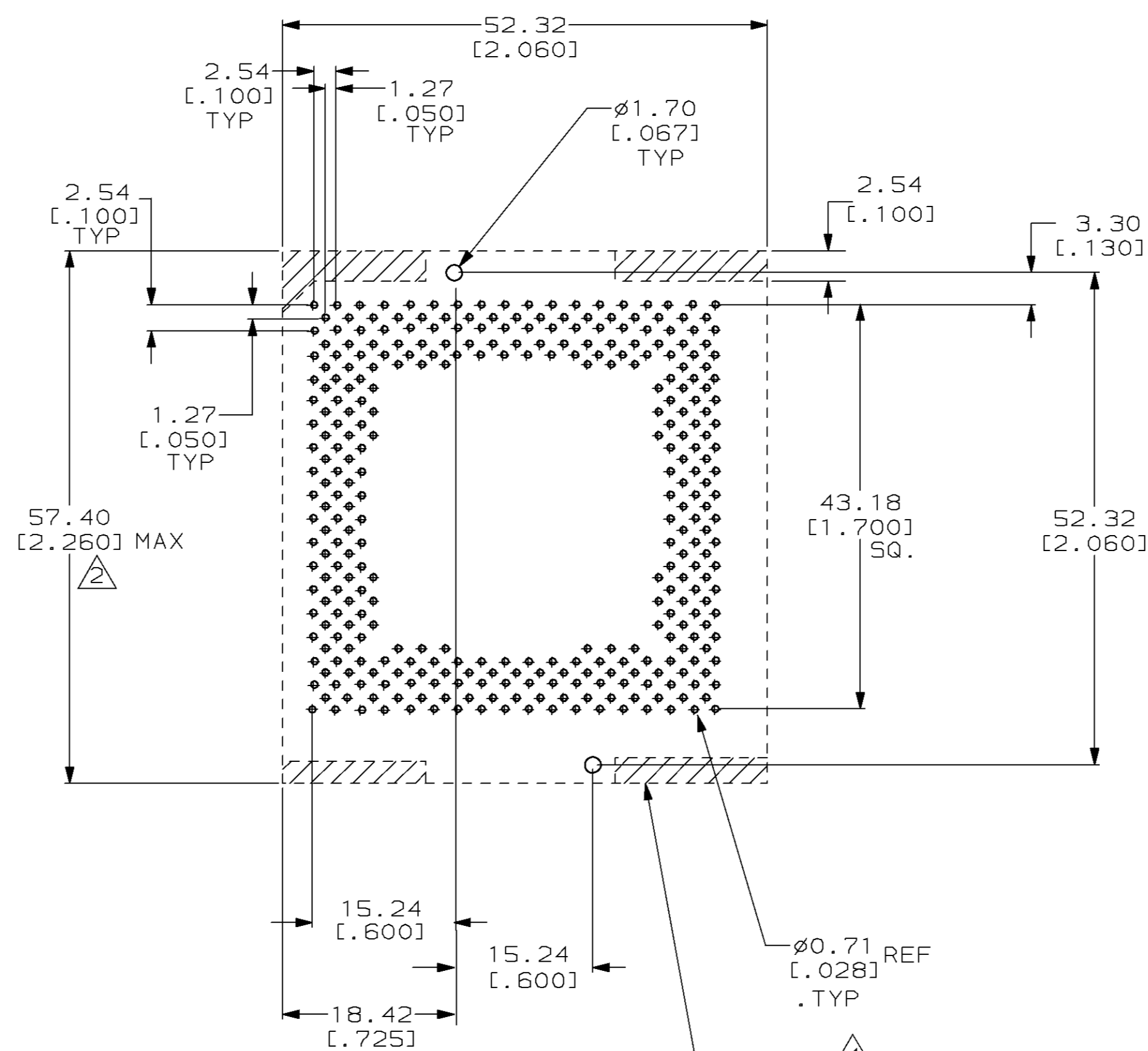


OBSOLETE
1-382533-1

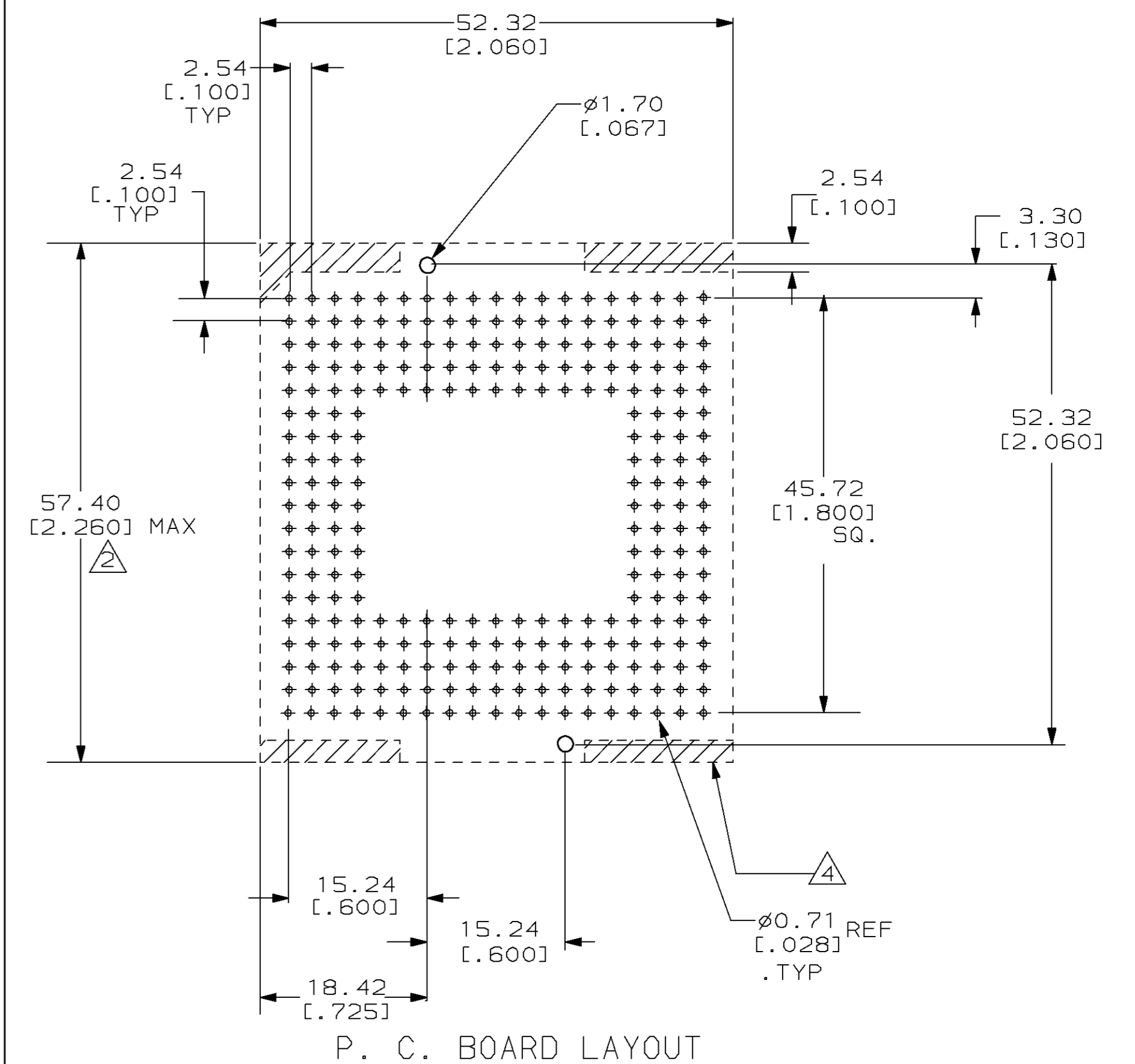
262 POSITION



P. C. BOARD LAYOUT



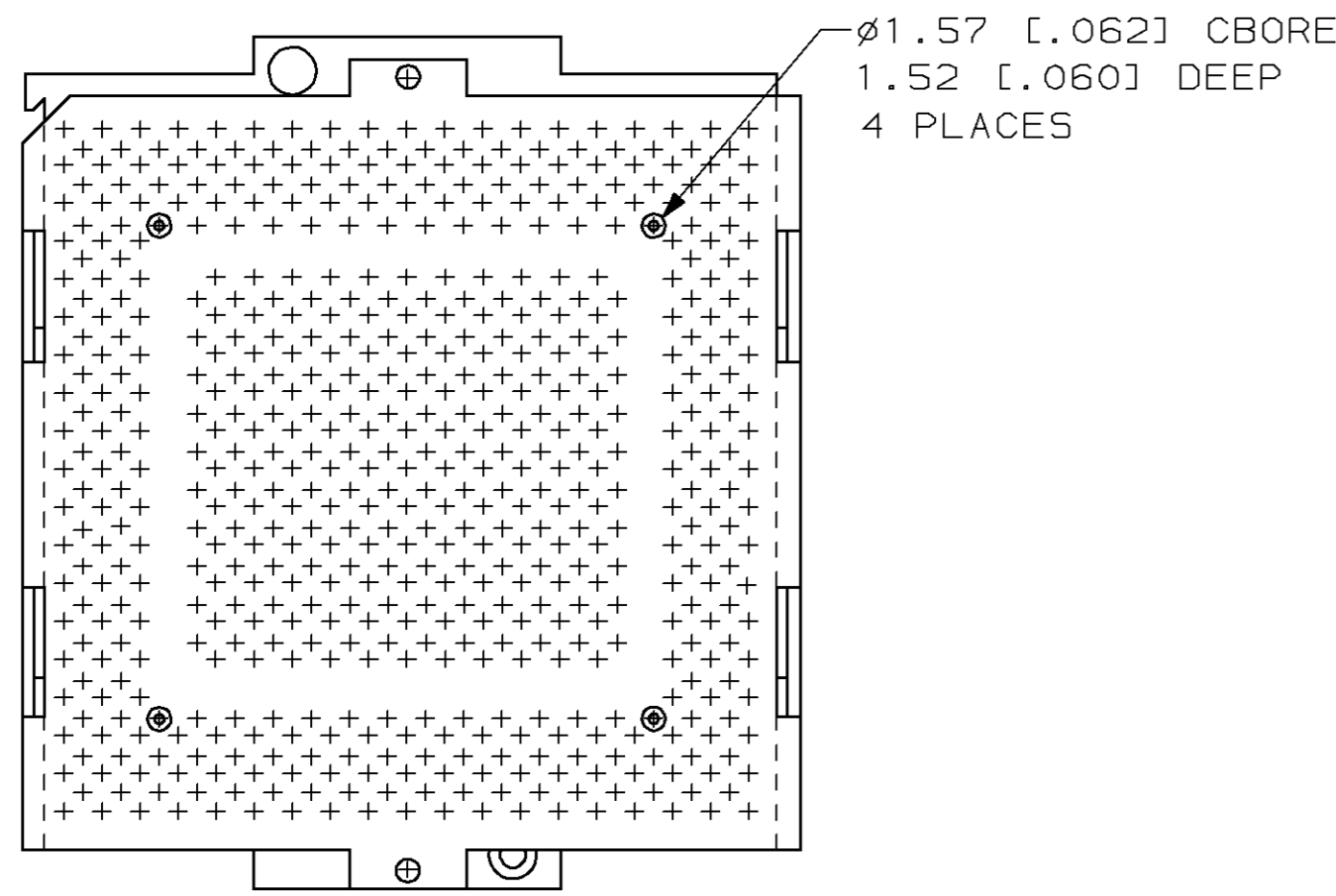
P. C. BOARD LAYOUT



P. C. BOARD LAYOUT

DO NOT SCALE PRINT. UNLESS SPECIFIED DIMENSIONS IN mm [INCHES] TOLERANCES ON:		DR 6-13-91 C. WHITT		PART NO	
2 PLC DEC ± -		CHK 6-13-91 R. MILLER		AMP Incorporated Harrisburg, PA 17105-3608	
3 PLC DEC ± 0.13 [.005]		APPD 6-13-91 G. MASTEN		NAME	
ANGLES ± -		APPD 6-13-91 E. RALSTON		SOCKET ASSY, 19 X 19	
MATERIAL		PRODUCT SPEC		TOOL ACTUATED ZIF	
SEE SHEET 1		APPLICATION SPEC		SIZE D	
FINISH		WEIGHT		CAGE CODE 00779	
SEE SHEET 1		SCALE 2:1		DRAWING NO 382533	
				SHEET 4 OF 7	

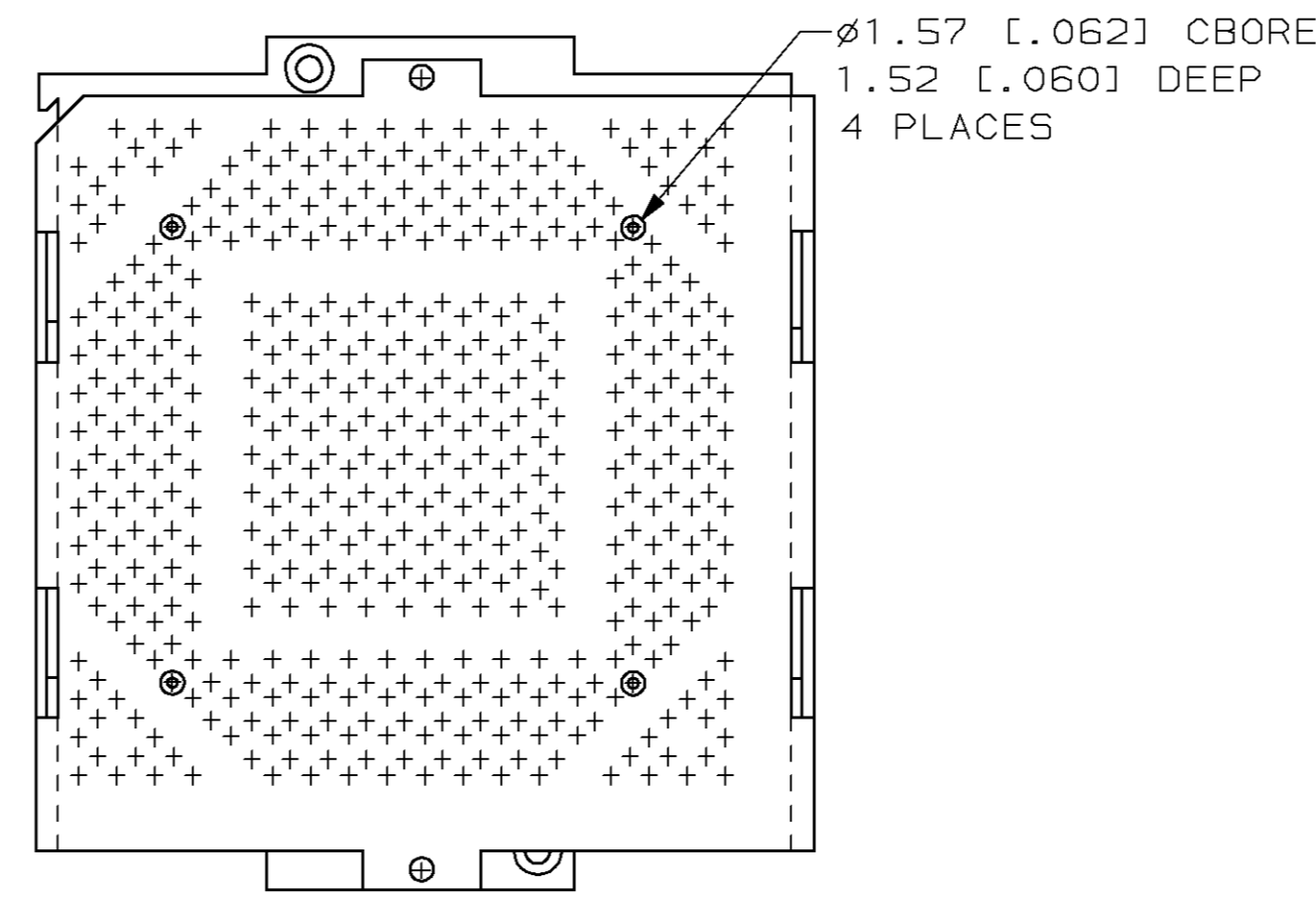
LOC		DIST		P		F		ZONE		LTR		REVISIONS		
AG	53											DESCRIPTION	DATE	APPD
												SEE SHEET 1	-	-



OBSOLETE

1-382533-2

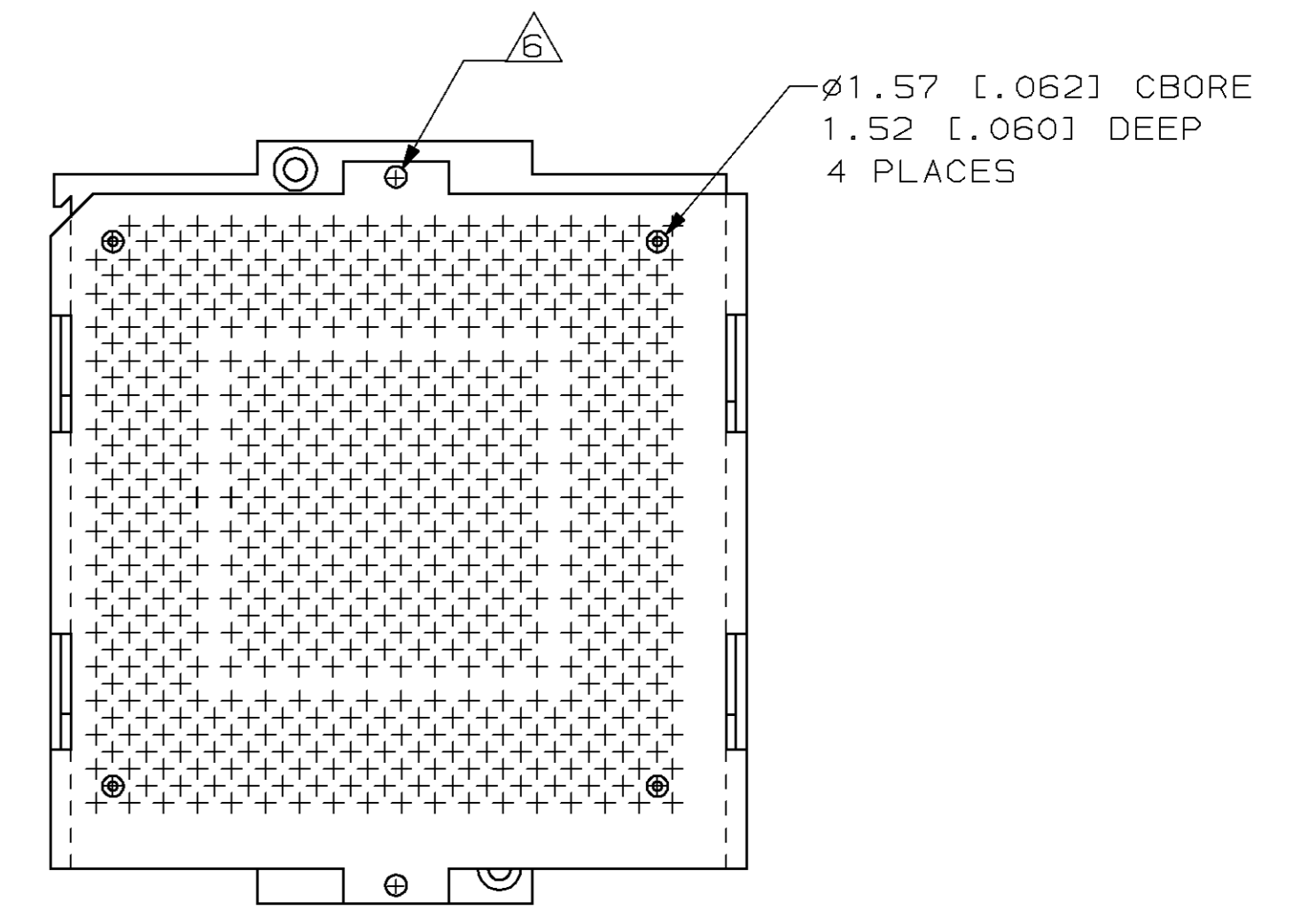
348 POSITION



OBSOLETE

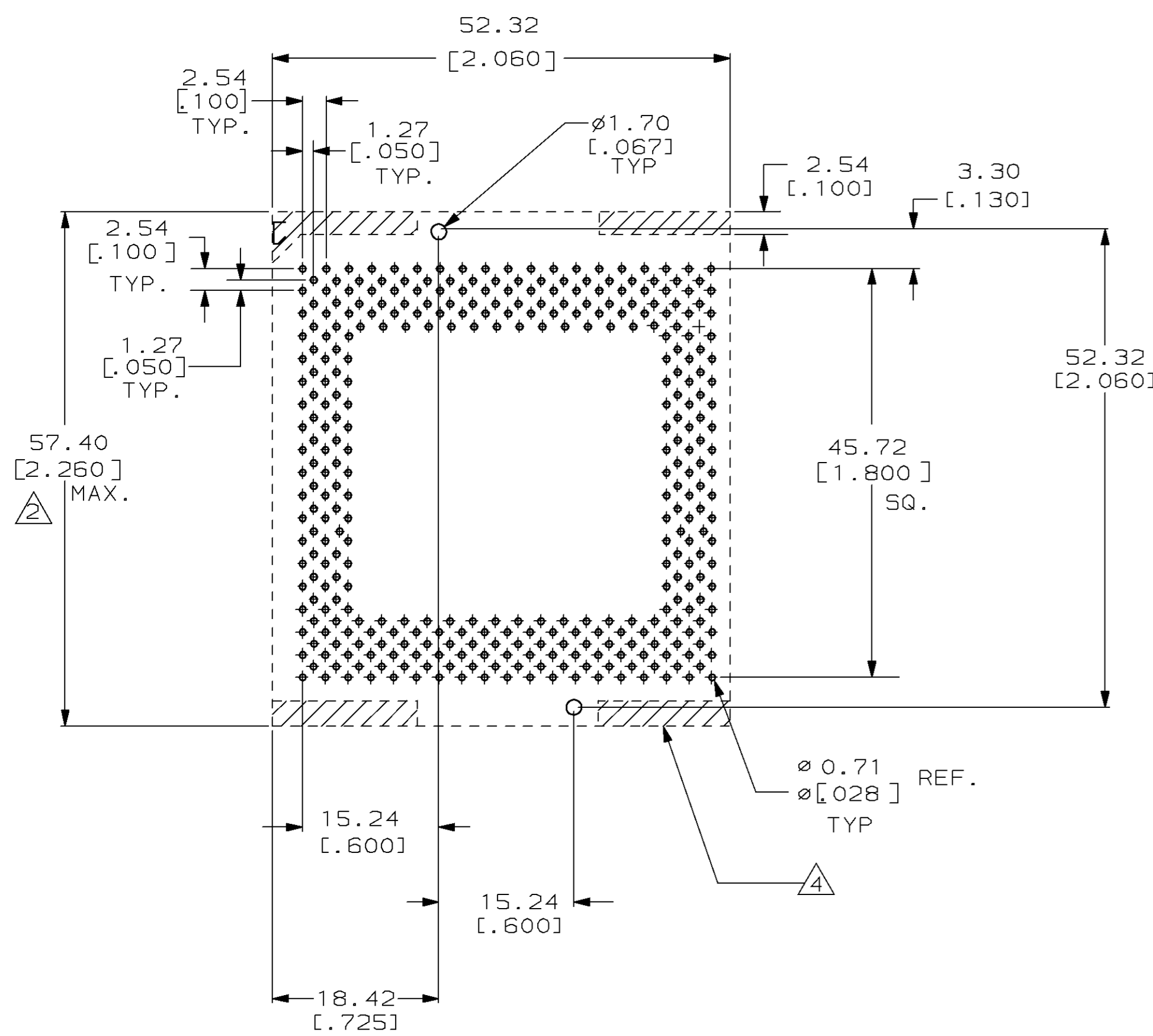
1-382533-3

293 POSITION

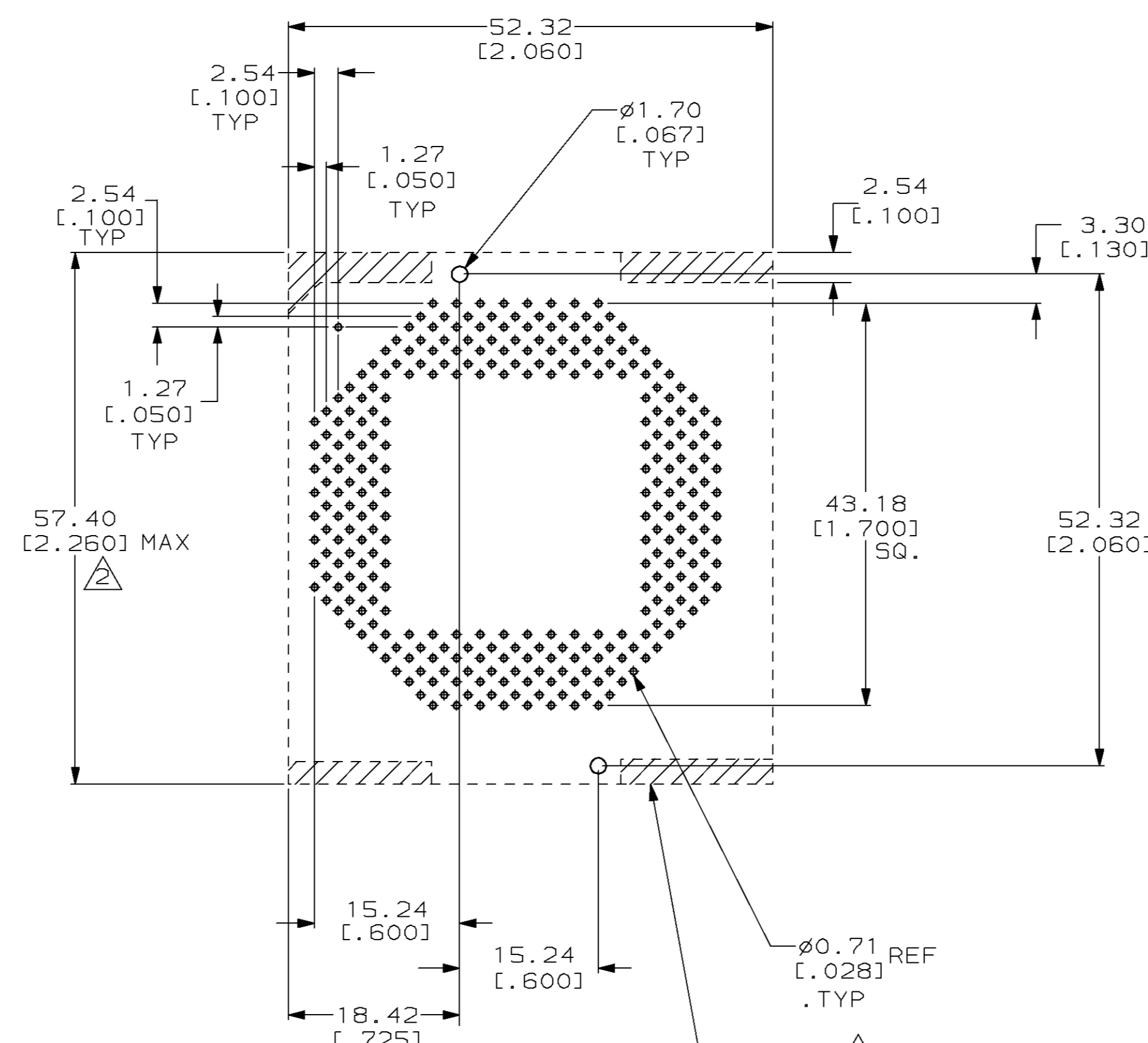


1-382533-4

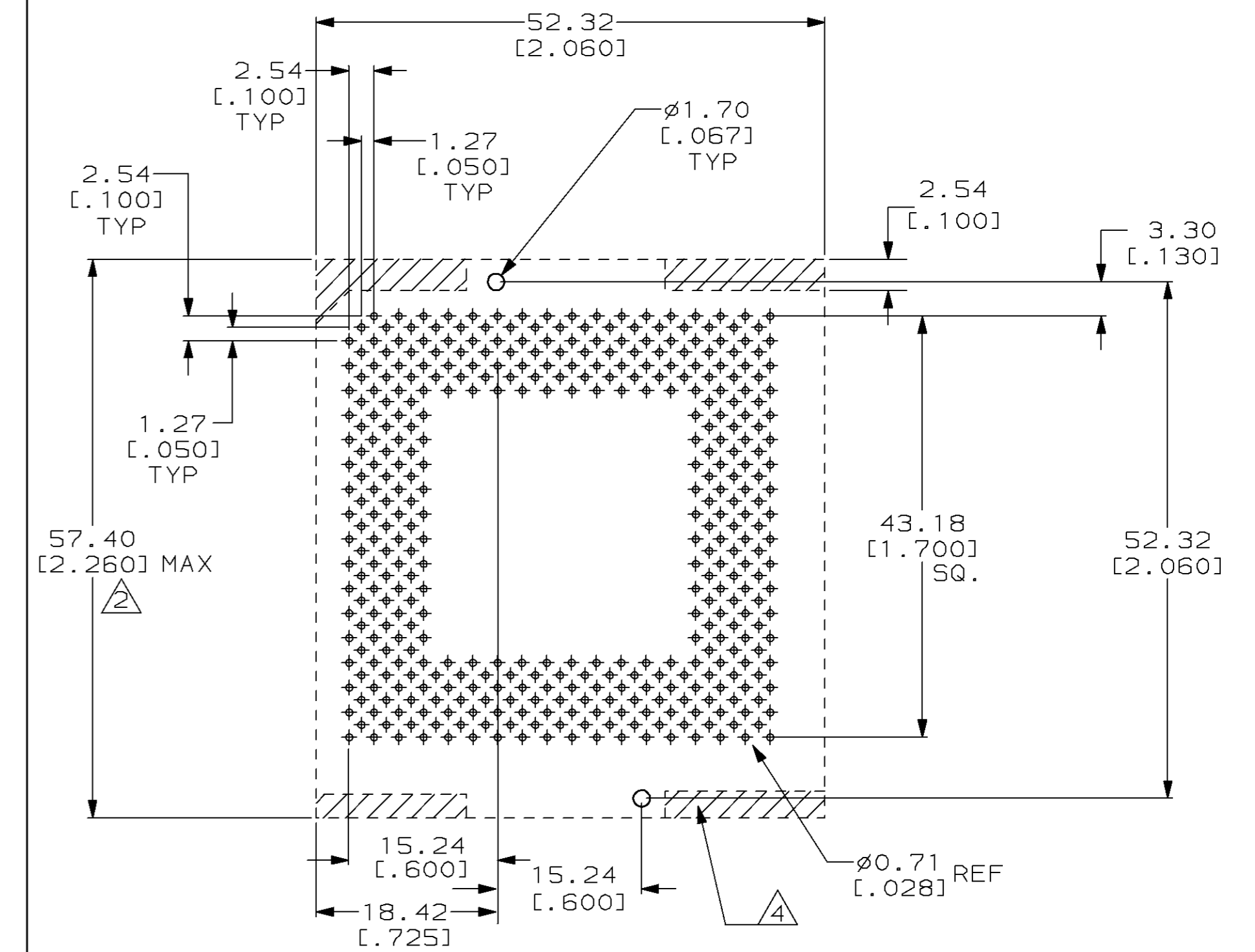
391 POSITION



P. C. BOARD LAYOUT



P. C. BOARD LAYOUT



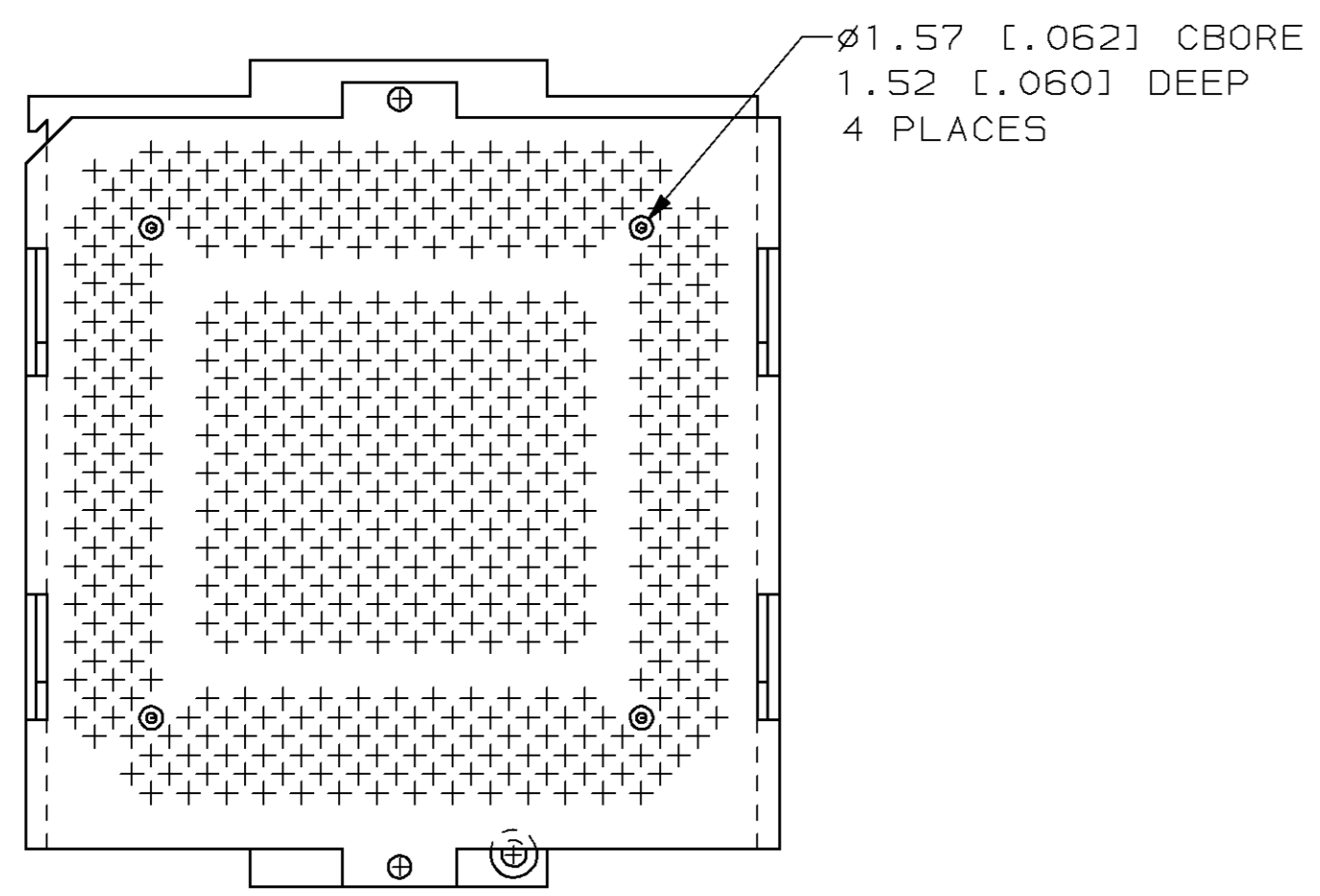
P. C. BOARD LAYOUT

DO NOT SCALE PRINT.
 UNLESS SPECIFIED
 DIMENSIONS IN mm [INCHES]
 TOLERANCES ON:
 2 PLC DEC ± -
 3 PLC DEC ± 0.13 [.005]
 ANGLES ± -
 MATERIAL
 SEE SHEET 1
 FINISH
 SEE SHEET 1

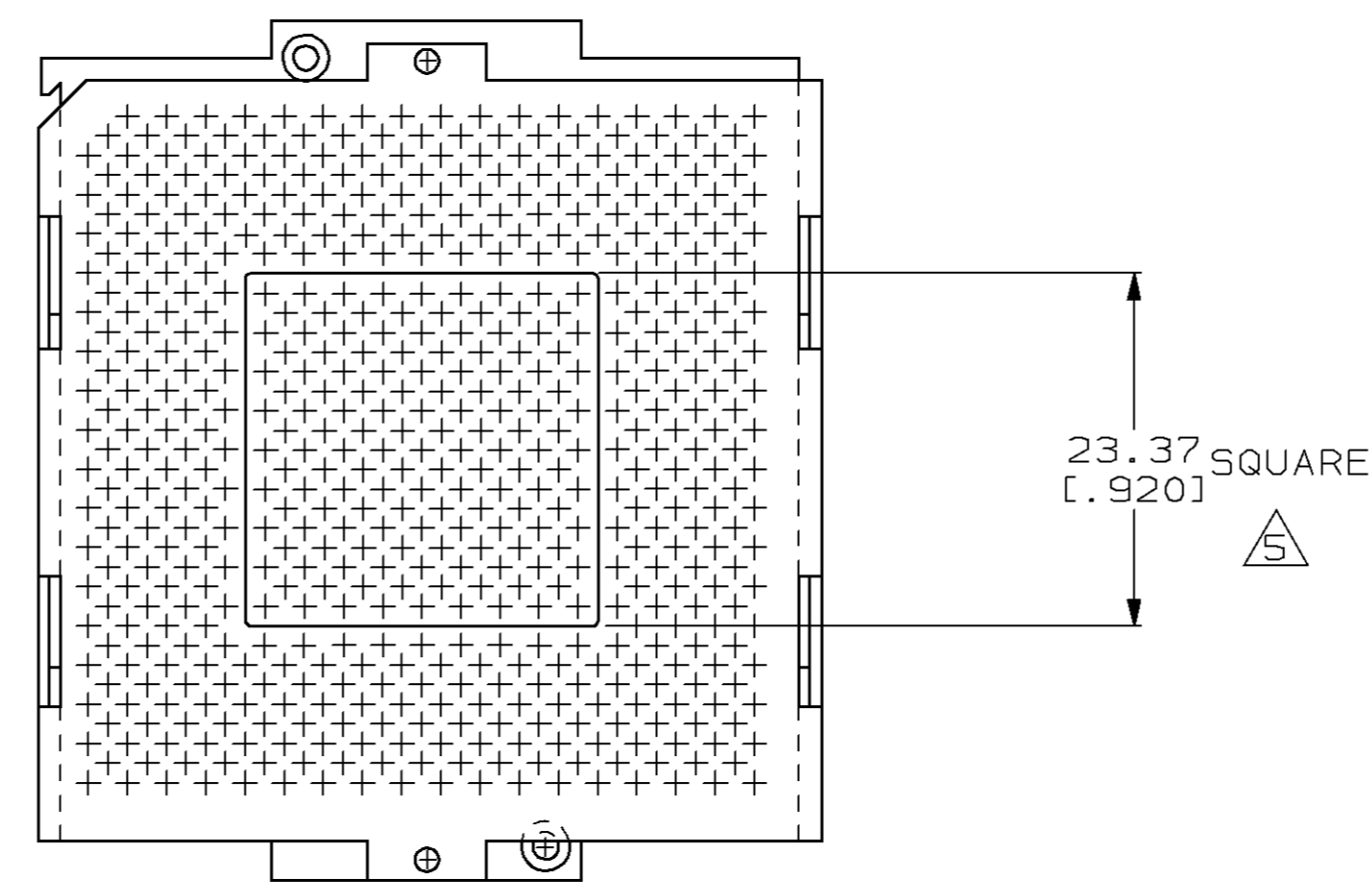
DR 11-5-91
 R.TALLEY
 CHK 11-11-91
 R.MILLER
 APPD 11-13-91
 G.MASTIN
 APPD 11-13-91
 E.RALSTON
 PRODUCT SPEC
 -
 APPLICATION SPEC
 -
 WEIGHT -

PART NO		REF AMP Incorporated Harrisburg, PA 17105-3608		
NAME		SOCKET ASSY, 19 X 19 TOOL ACTUATED ZIF		
SIZE	CAGE CODE	DRAWING NO		
D	00779	382533		
SCALE	2:1	SHEET		5 OF 7

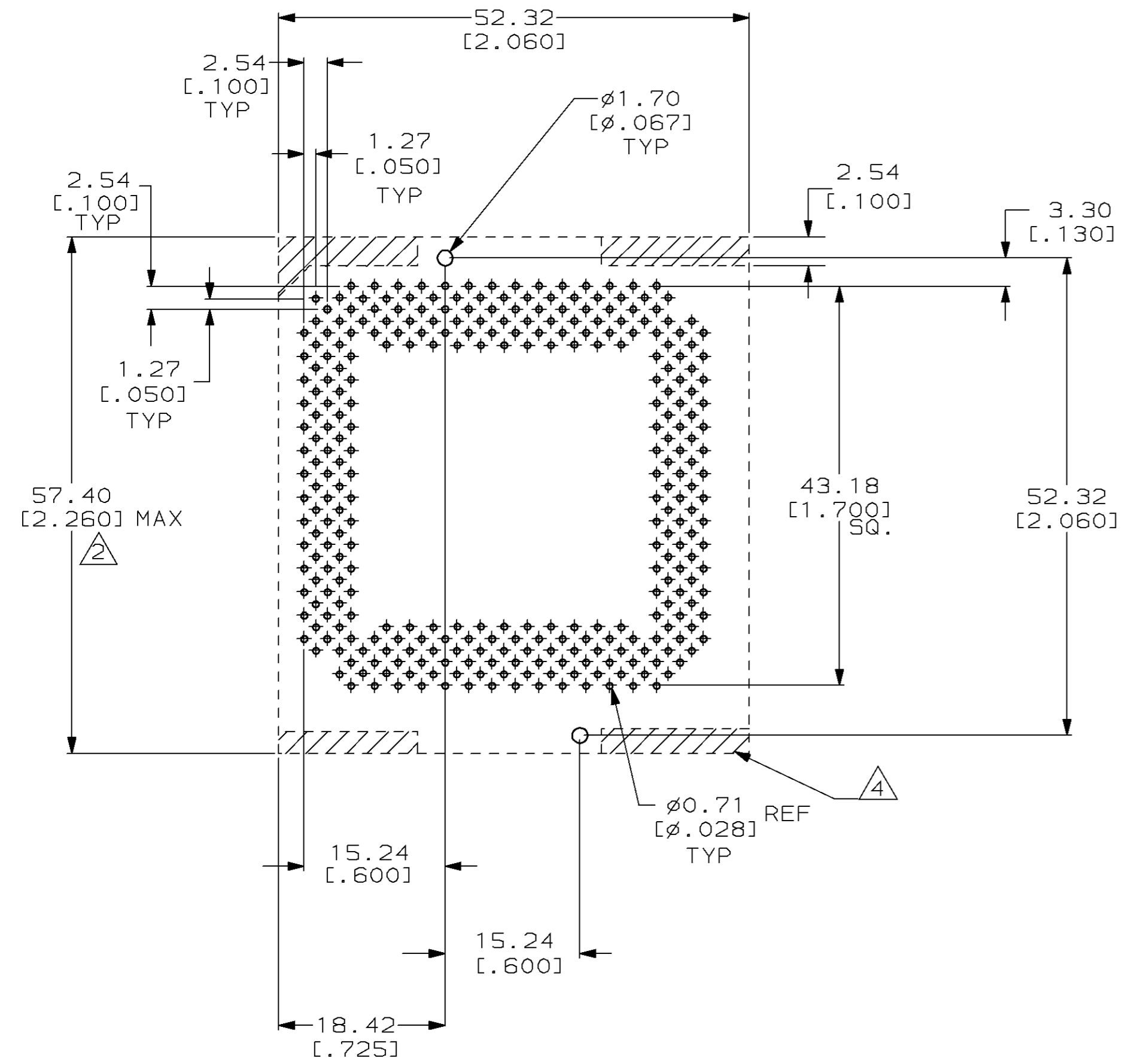
LOC		DIST		P		F		ZONE		LTR		REVISIONS		
AG	53											DESCRIPTION	DATE	APPD
												SEE SHEET 1	-	-



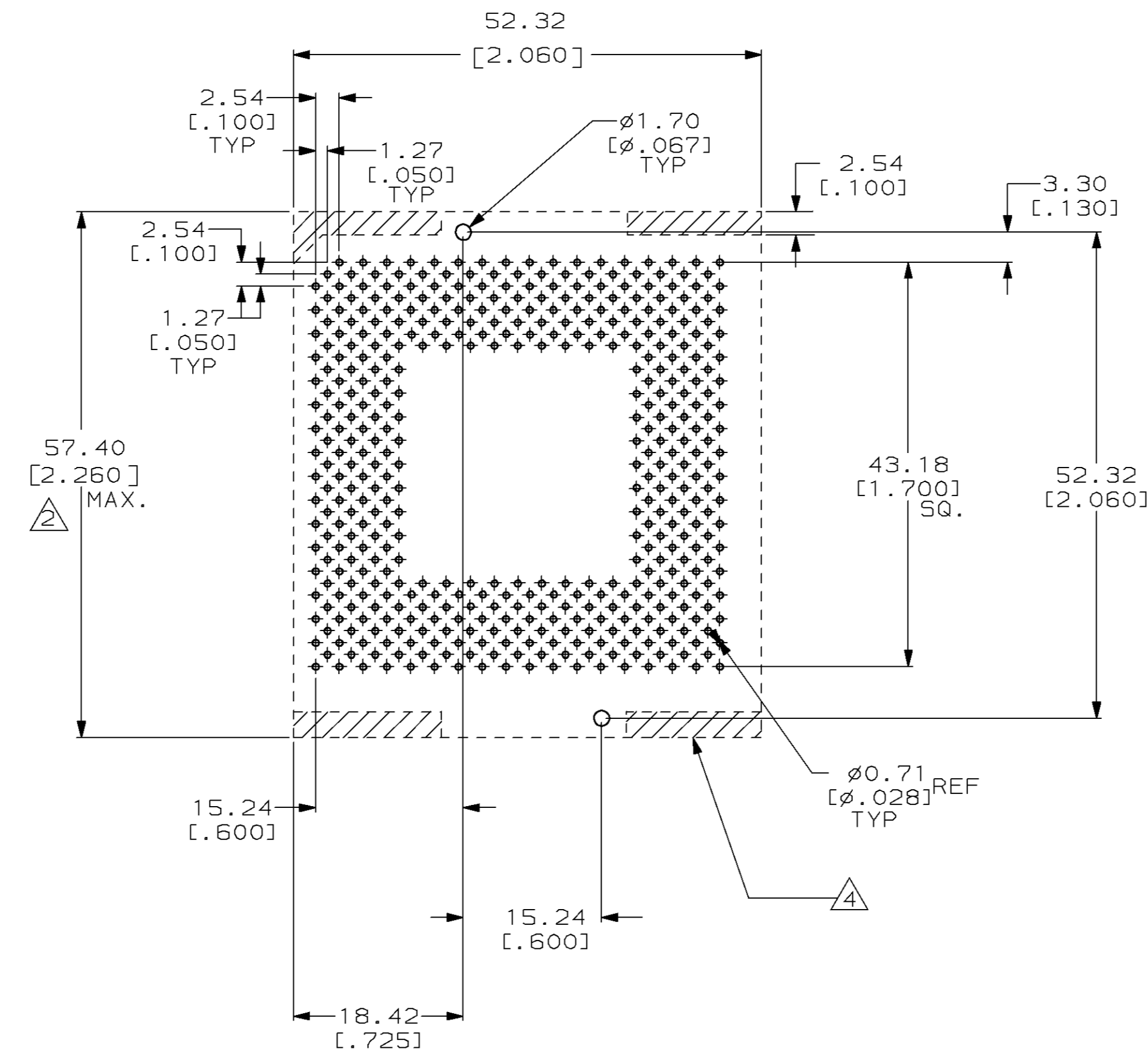
OBSOLETE
 1-382533-5 305 POSITION



OBSOLETE
 1-382533-6 431 POSITION



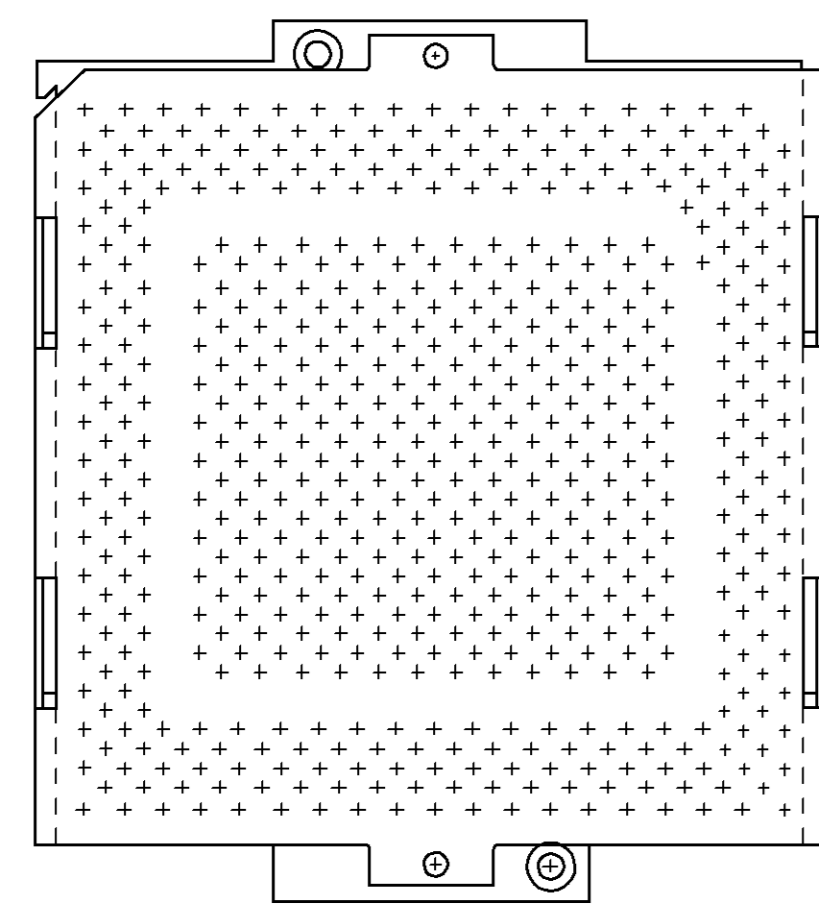
P. C. BOARD LAYOUT



P.C. BOARD LAYOUT

DO NOT SCALE PRINT. UNLESS SPECIFIED DIMENSIONS IN mm [INCHES] TOLERANCES ON:		DR 11-5-91 R.TALLEY		PART NO	
2 PLC DEC ± -		CHK 11-11-91 R.MILLER		AMP AMP Incorporated Harrisburg, PA 17105-3608	
3 PLC DEC ± 0.13 [.005]		APPD 11-13-91 G.MASTIN		NAME	
ANGLES ± -		APPD 11-13-91 E.RALSTON		SOCKET ASSY, 19 X 19 TOOL ACTUATED ZIF	
MATERIAL		PRODUCT SPEC		SIZE	
SEE SHEET 1		-		D 00779	
FINISH		APPLICATION SPEC		CAGE CODE	
SEE SHEET 1		-		00779	
SCALE		WEIGHT		DRAWING NO	
2:1		-		382533	
				SHEET 6 OF 7	

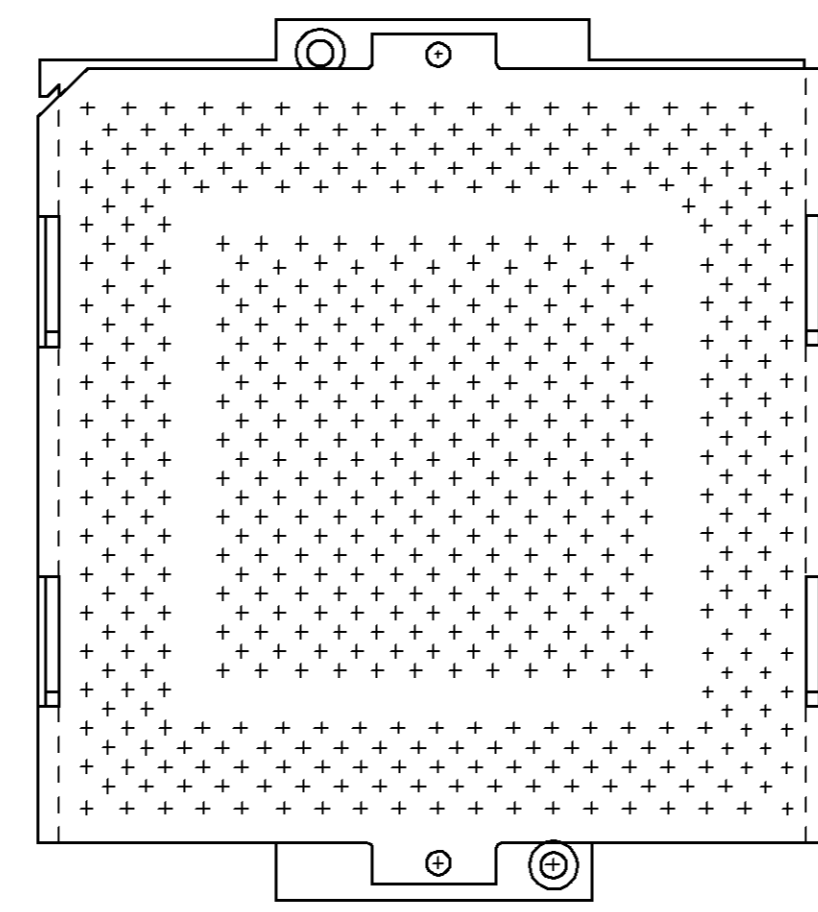
LOC		DIST		P		F		ZONE		LTR		REVISIONS		
AG	53											DESCRIPTION	DATE	APPD
												T SEE SHEET 1	-	-



OBSOLETE

1-382533-7

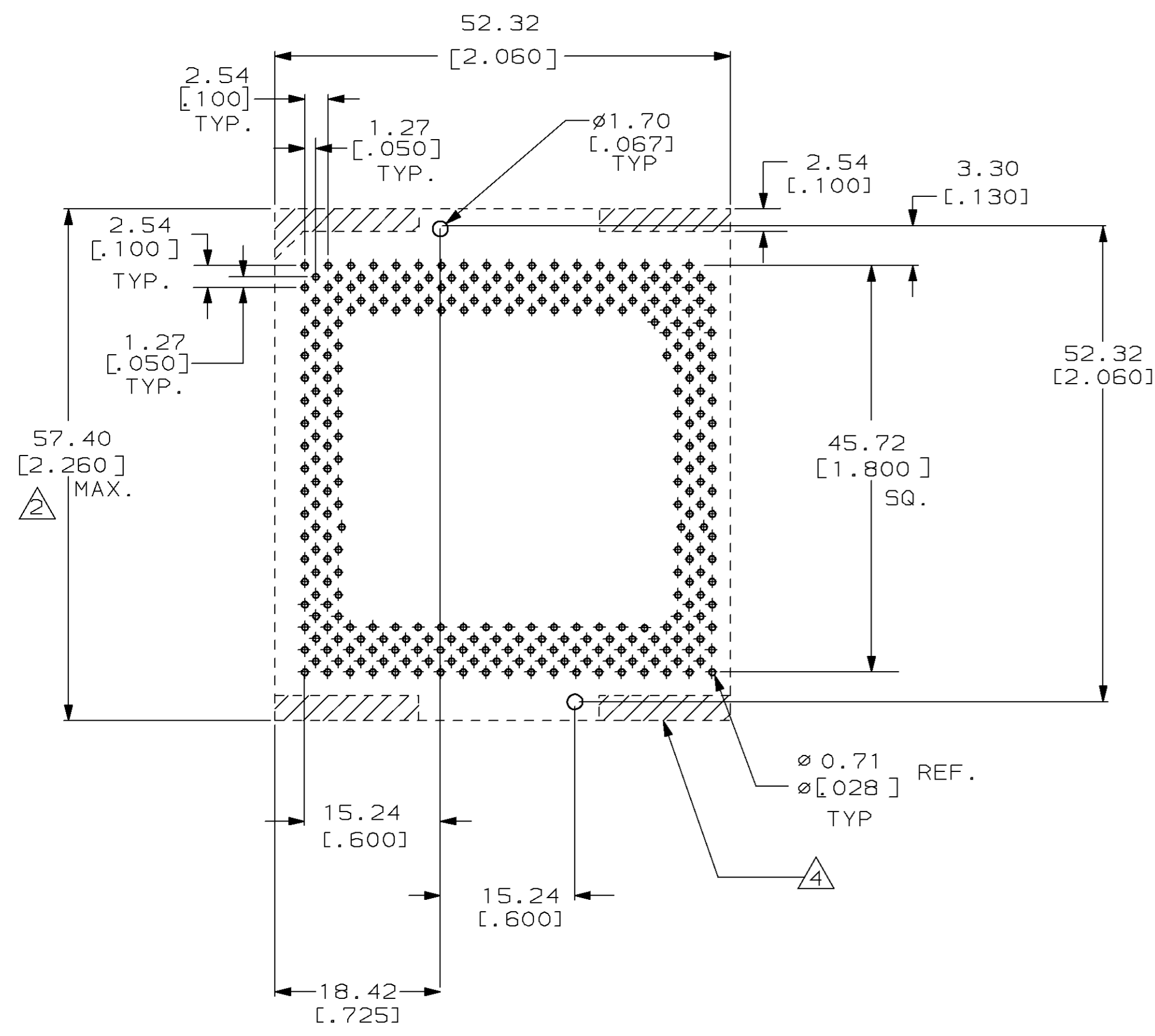
296 POSITION



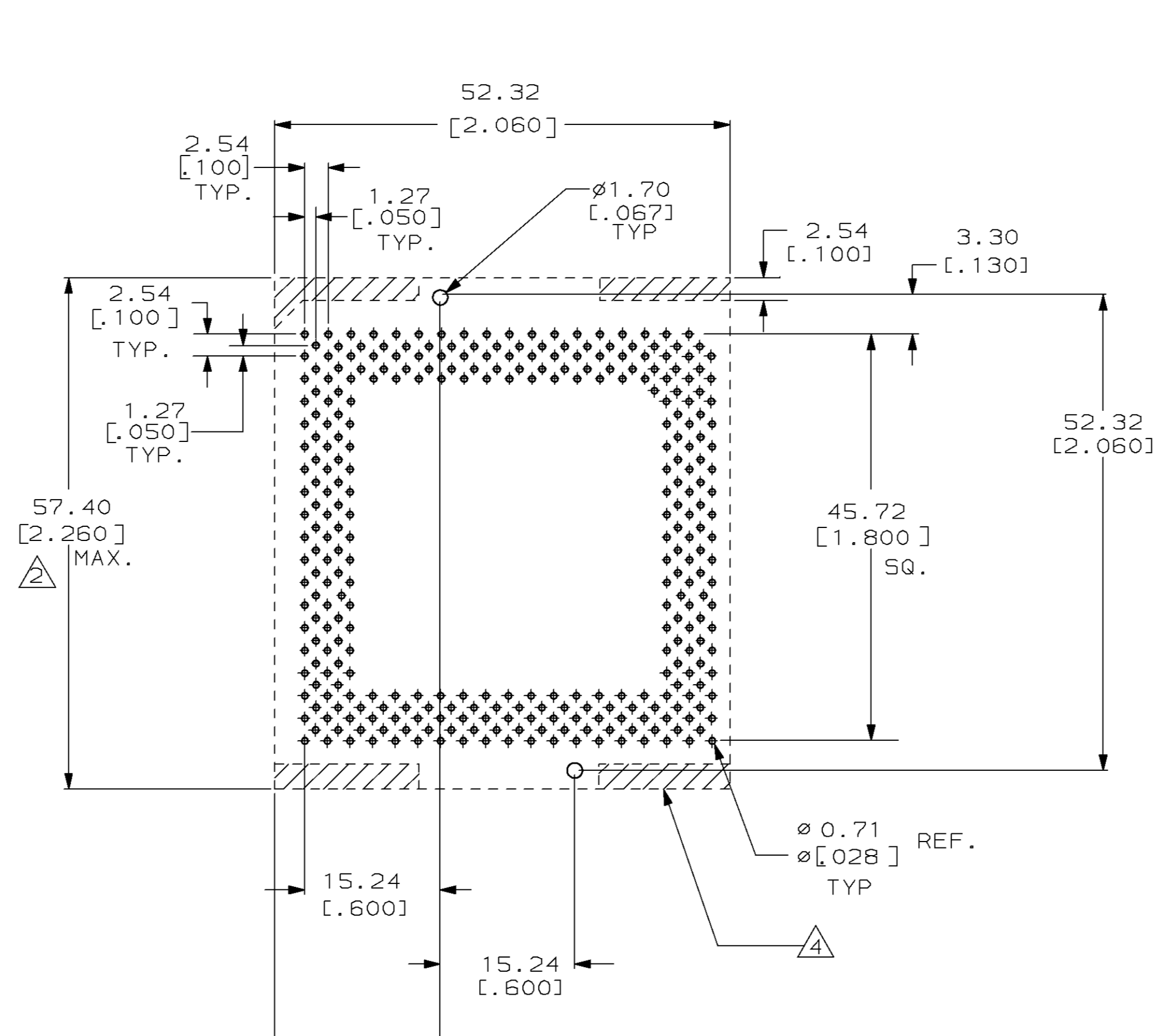
OBSOLETE

1-382533-8

320 POSITION



P.C. BOARD LAYOUT



P.C. BOARD LAYOUT

DO NOT SCALE PRINT. UNLESS SPECIFIED DIMENSIONS IN mm [INCHES] TOLERANCES ON: 2 PLC DEC ± - 3 PLC DEC ± 0.13 [0.005] ANGLES ± -		DR 11-5-91 R.TALLEY	PART NO	
CHK 11-11-91 R.MILLER	APPD 11-13-91 G.MASTIN	AMP Incorporated Harrisburg, PA 17105-3608		
MATERIAL SEE SHEET 1	APPD 11-13-91 E.RALSTON	NAME SOCKET ASSY, 19 X 19 TOOL ACTUATED ZIF		
FINISH SEE SHEET 1	APPLICATION SPEC -	SIZE D	CAGE CODE 00779	DRAWING NO 382533
	WEIGHT -	SCALE 2:1		SHEET 7 OF 7