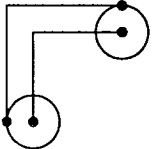
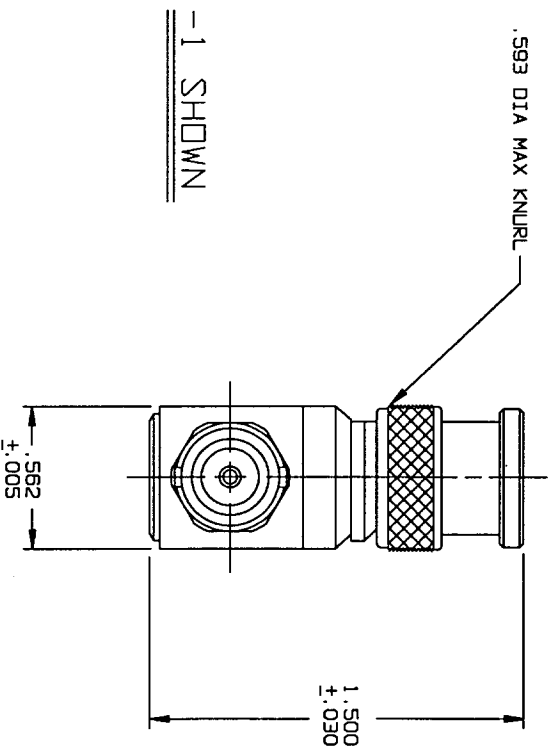
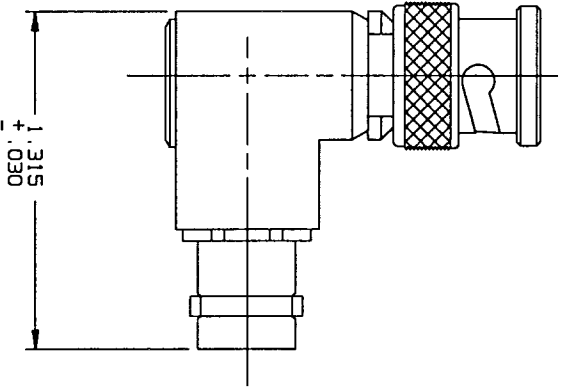


RED INDICATES ORIGINAL

DASH NO	MODEL NO	DESCRIPTION
-1	ADRMF20	50 OHM BNC (PLUG AND JACK)
-2	ADRMF40	50 OHM TNC (PLUG AND JACK)
-4	UADRMF40	75 OHM TNC (PLUG AND JACK)

DATA CONTAINED IN THIS DOCUMENT IS PROPRIETARY TO TROMPETER ELECTRONICS INC. AND SHALL NOT BE DISCLOSED, COPIED OR USED FOR PROCUREMENT OR MANUFACTURE WITHOUT EXPRESS WRITTEN PERMISSION.

REV	ED	REVISIONS	DESCRIPTION	OWN	APPROVED	DATE
C	12409	-3; MADE SHT 2; SEE ECD	REVISED TABLE, DELETED	DBN	1/4/98	5/98



SCHEMATIC

- WITHIN SERIES RIGHT ANGLE ADAPTER
 COAXIAL MALE 50/75 OHM BNC/TNC PLUG TO
 COAXIAL FEMALE 50/75 OHM BNC/TNC JACK
- FINISH: TFS-1A (NICKEL)
 - ALL DIM ARE IN INCHES

TOL UNLESS SPECIFIED		TROMPETER ELECTRONICS, INC.		ADR-COAX PLUG-COAX JACK (U/20 SERIES, 40 SERIES)	
OWN	DBN	5/9/98	MATERIAL	CODE IDENT	DRAWING NO.
CHK	1/4	5-14-98		14949	105-0920
ENGR					
APPR					
NEXT ASSY		SCALE	2/1	DATE	8/11/77
		SHEET	1	OF	2

6