



Series X510 Economy Open Frame DIP Sockets

FEATURES:

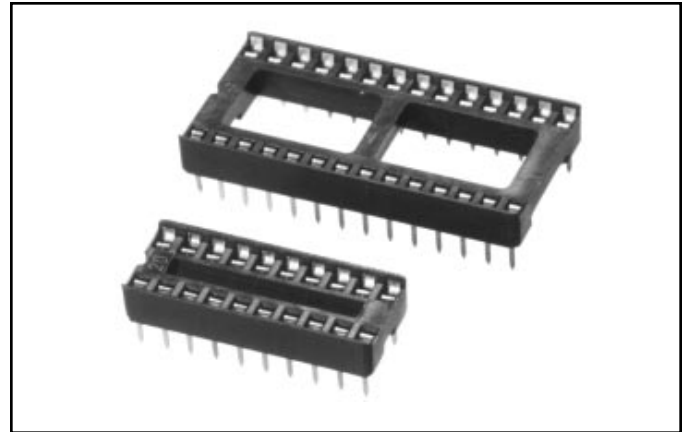
- Dual-beam contacts offering reliable connection with wiping action.
- End-to-end and side-to-side stackable.
- Available with either straight or retention style solder tail pin.

SPECIFICATIONS:

- Body material is black UL 94V-0 glass-filled Thermoplastic (PBT).
- Contacts are Phosphor Bronze.
- Contact plating is 100 μ [2.54 μ m] Tin over 35 μ [.89 μ m] min. Nickel.
- Operating temperature=-67 to 221°F [-55 to 105°C].
- Contact current rating=1 Amp.
- Contact resistance=30 mOhms max. @ DC 100 mAmps.
- Insulator resistance=1000 MOhms min. DC 250V.
- Dielectric withstanding voltage=AC 500V for 1 minute.
- Accepts leads .060-.130 [1.52-3.30] long.

MOUNTING CONSIDERATIONS:

- Suggested PCB hole size=.035 \pm .002 [.89 \pm .05] dia.



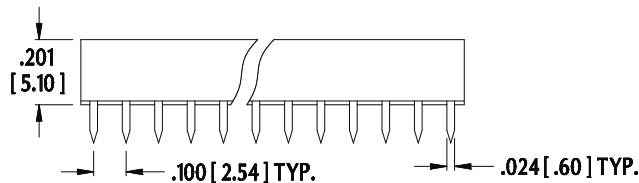
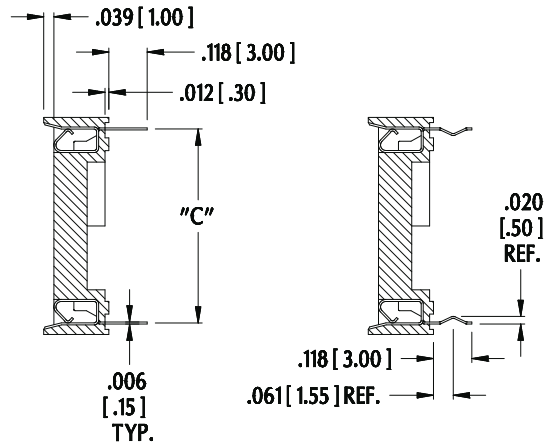
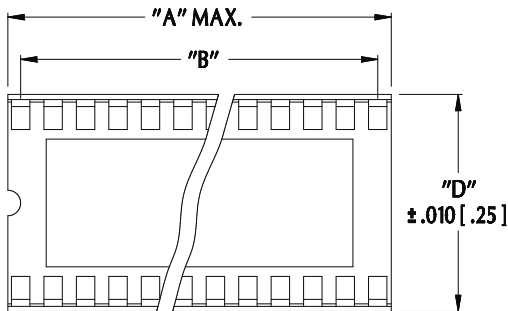
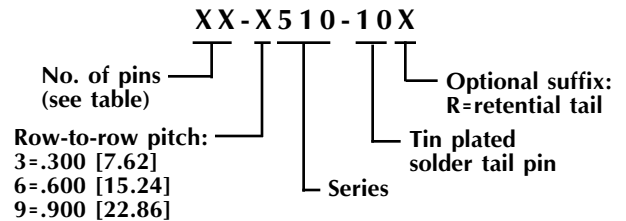
Note: Aries specializes in custom design and production. In addition to the standard products shown on this page, special materials, platings, sizes, and configurations can be furnished, depending on quantities. Aries reserves the right to change product specifications without notice.

ALL DIMENSIONS: INCHES [MILLIMETERS]

All tolerances \pm .005 [.13]
unless otherwise specified

"A"=NO. OF PINS PER ROW X .100 [2.54]
"B"=(NO. OF PINS PER ROW - 1) X .100 [2.54]

ORDERING INFORMATION



Centers "C"	Dim. "D"	Available Sizes
.300 [7.62]	.400 [10.16]	6, 8, 14, 16, 18, 20, 22, 24, 28
.600 [15.24]	.700 [17.78]	24, 28, 32, 40, 42, 48
.900 [22.86]	1.000 [25.40]	64