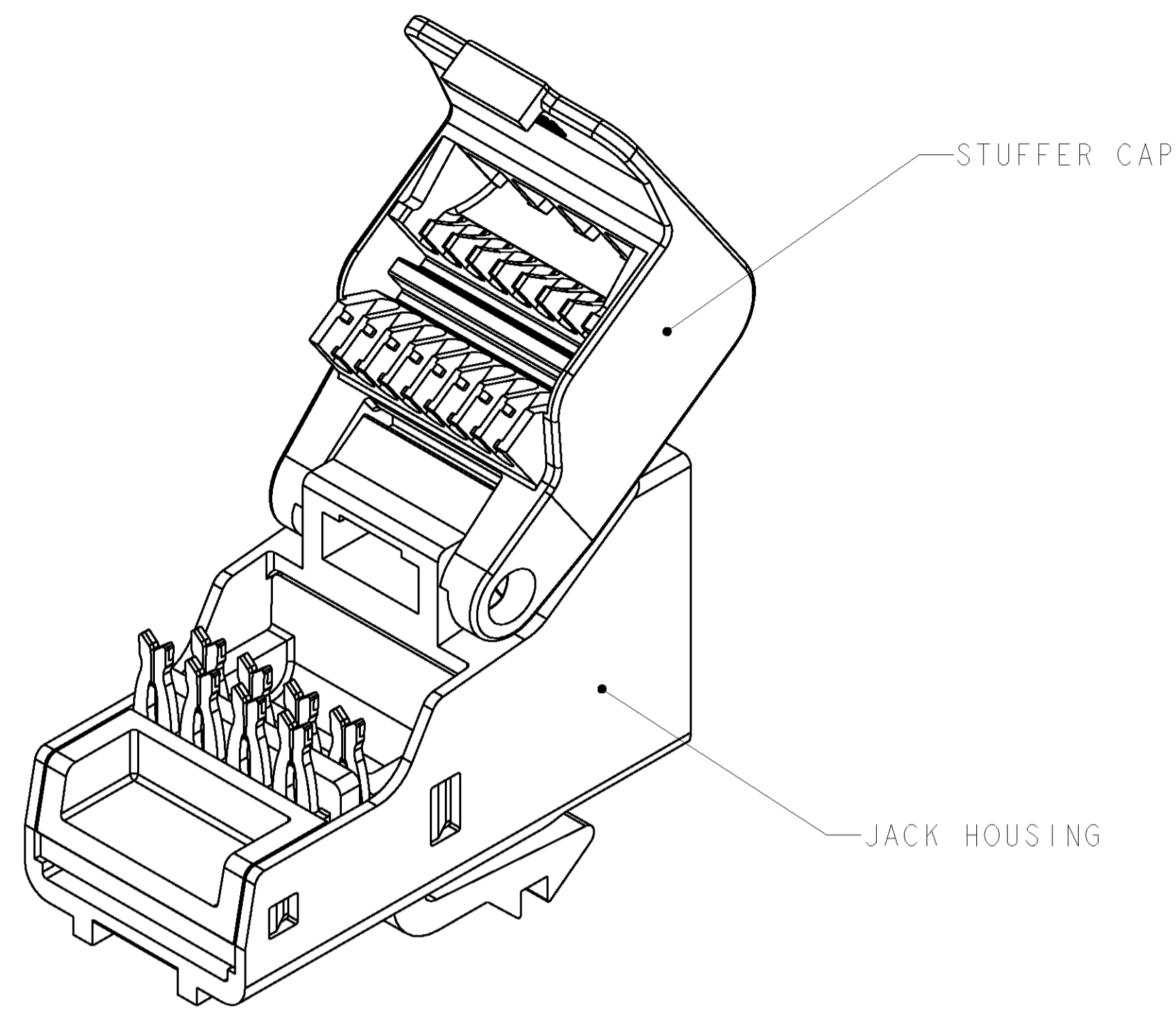
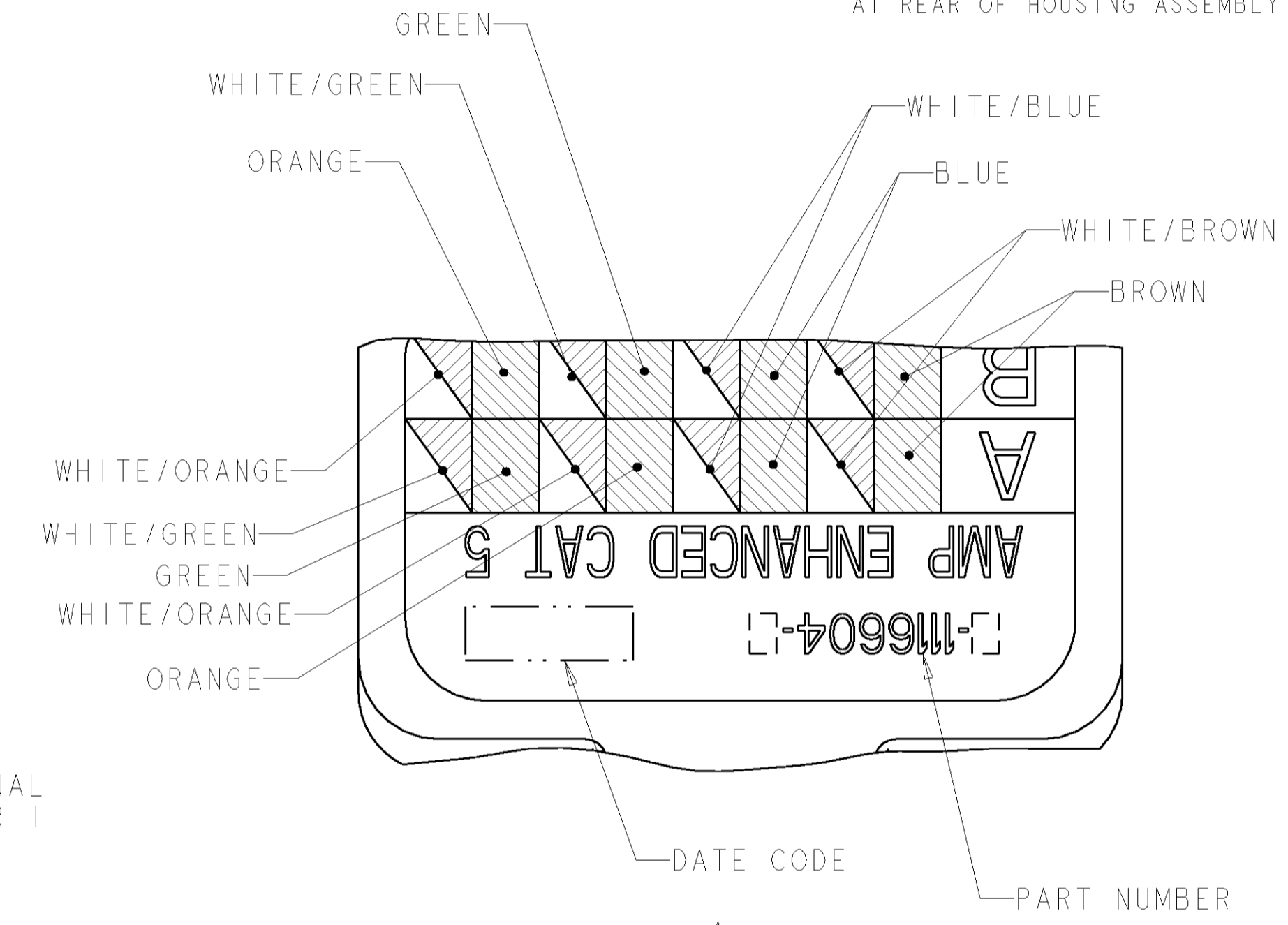
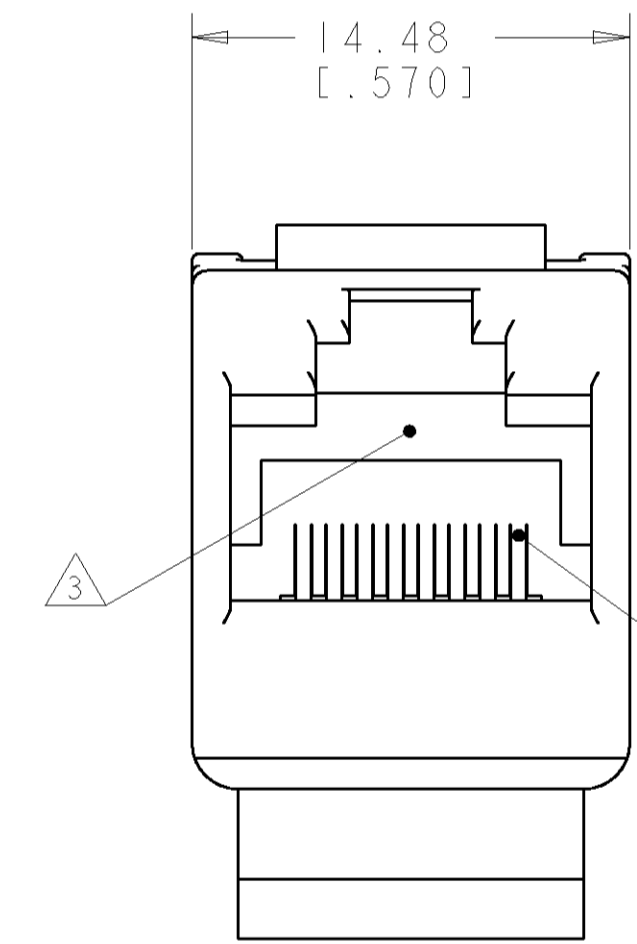
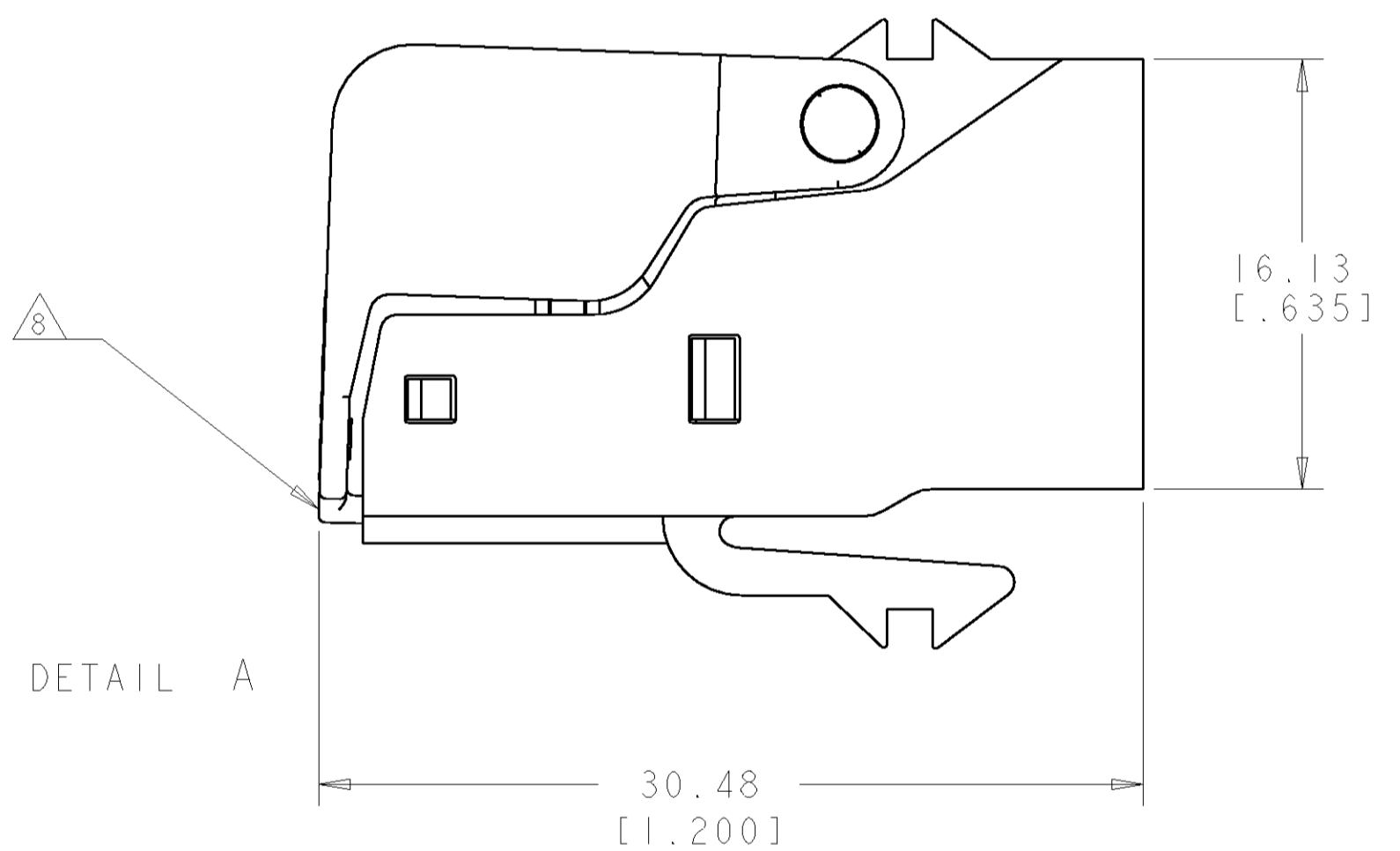
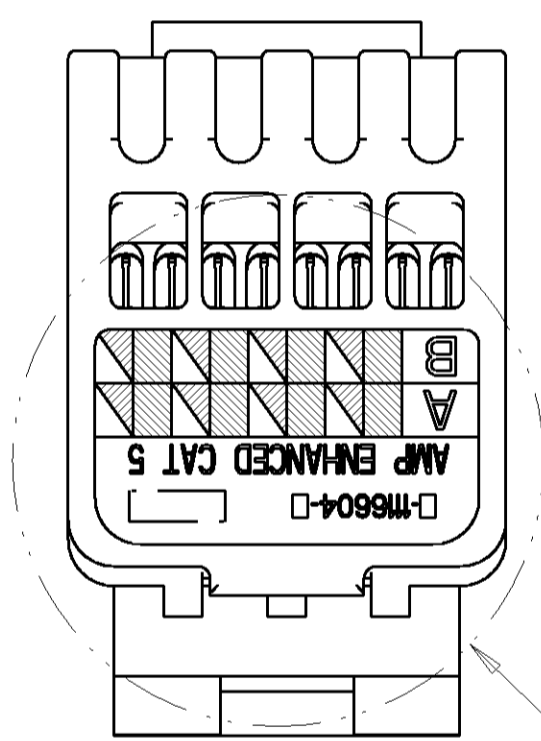


REV. LTR		DESCRIPTION	DATE	DWN	APP'D
D		REV: EC 0B40-0259-01	23-01-01	TLP	CD



OPEN POSITION



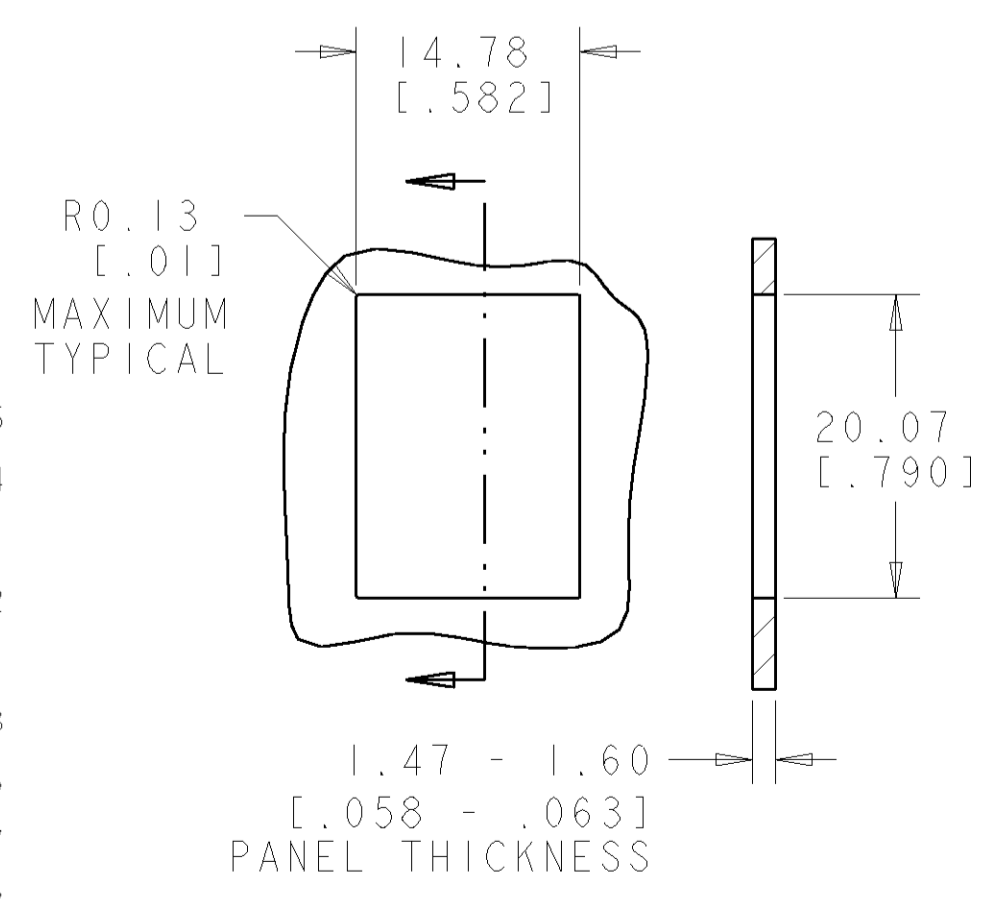
TERMINAL NUMBER 1

COLOR CODE	IDC TERMINAL	MODULAR JACK	
WHITE/BLUE			5
BLUE			4
WHITE/ORANGE			3
ORANGE			6
WHITE/GREEN			1
GREEN			2
WHITE/BROWN			7
BROWN			8

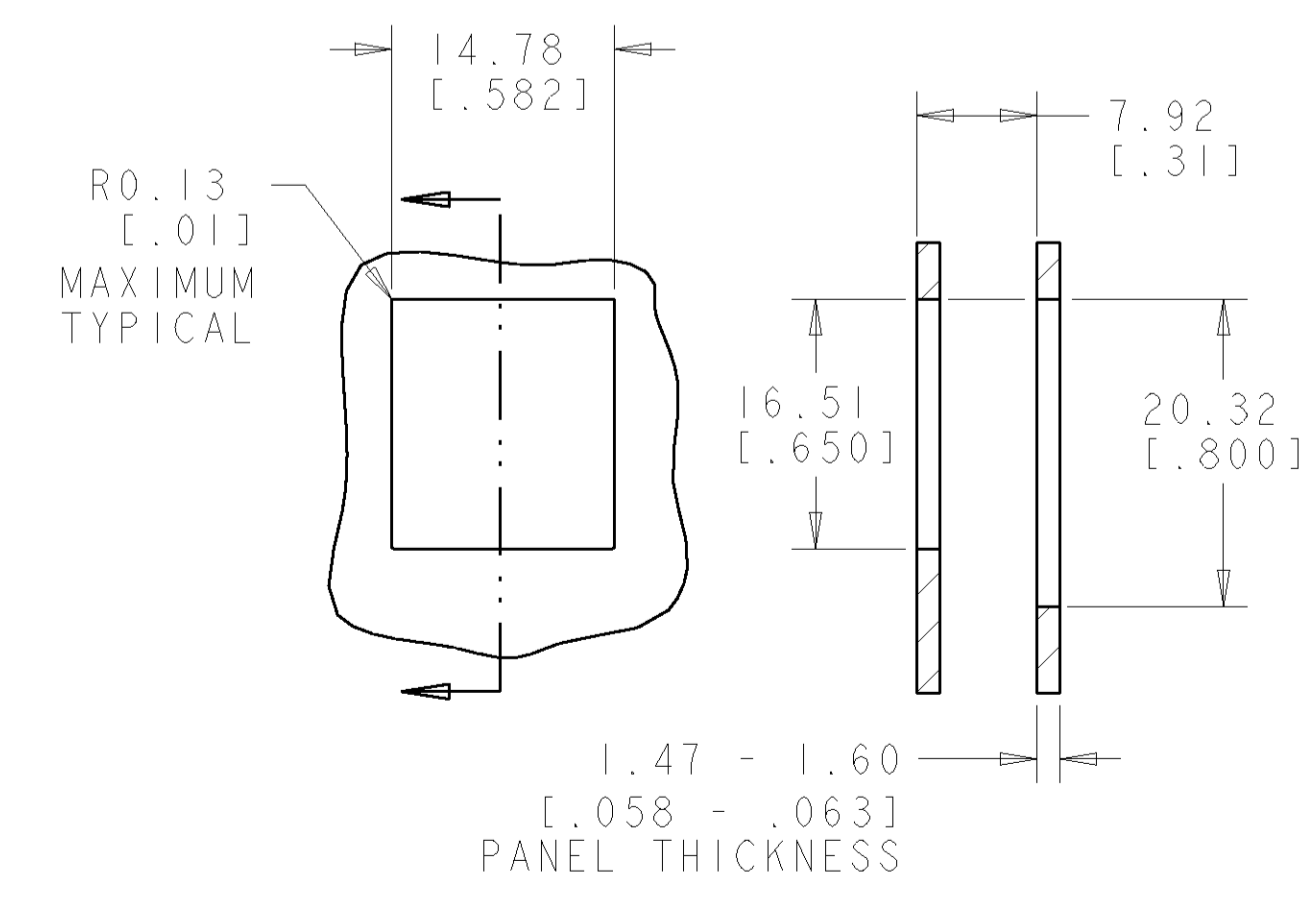
ELECTRICAL SCHEMATIC T568A

COLOR CODE	IDC TERMINAL	MODULAR JACK	
WHITE/BLUE			5
BLUE			4
WHITE/ORANGE			1
ORANGE			2
WHITE/GREEN			3
GREEN			6
WHITE/BROWN			7
BROWN			8

ELECTRICAL SCHEMATIC T568B



SINGLE PANEL CUTOUT



SUGGESTED FLUSH MOUNT PANEL APPLICATION CUTOUT

- 1 MATERIAL: JACK HOUSING - POLYPHENYLENE OXIDE, 94V-0 RATED. TERMINAL BLOCK - POLYPHENYLENE OXIDE, 94V-0 RATED. STUFFER CAP - POLYCARBONATE, CLEAR, 94V-0 RATED. JACK CONTACTS - PHOSPHOROUS BRONZE, PLATED WITH 1.27um [.000050] MINIMUM THICK GOLD IN LOCALIZED AREA AND 3.81um [.000150] MINIMUM THICK TIN-LEAD IN SOLDER AREA OVER 1.27um [.000050] MINIMUM THICK NICKEL UNDERPLATE.
- 2. TOOLLESS WILL TERMINATE 22-24 AWG SOLID CONDUCTORS AND 24 AWG STRANDED CONDUCTORS, 1.14 [.045] MAXIMUM INSULATION DIAMETER.
- 3 CAVITY CONFORMS TO FCC RULES AND REGULATIONS) PART 68 SUBPART F REQUIREMENTS.
- 4. MOUNTING PANEL THICKNESS 1.473 - 1.600 [.058 - .063].
- 5 THESE TWO SUGGESTED CUTOUT OPENINGS ARE USED IN TANDEM WITH DUAL FRONT AND BACK CUTOUTS.
- 6 ONE MODULAR JACK ASSEMBLY PER POLYBAG.
- 7 TWENTY FIVE MODULAR JACK ASSEMBLIES PER POLYBAG.
- 8 ASSEMBLY SHIPPED WITH STUFFER CAP NOT LATCHED AT REAR OF HOUSING ASSEMBLY AS SHOWN.

7	ELECTRIC IVORY	3-1116604-1
	VIOLET	3-1116604-0
	GREEN	2-1116604-9
	YELLOW	2-1116604-8
	RED	2-1116604-7
	BLUE	2-1116604-6
	ORANGE	2-1116604-5
	NEMA GRAY	2-1116604-4
	WHITE	2-1116604-3
	BLACK	2-1116604-2
6	LIGHT ALMOND	2-1116604-1
	ELECTRIC IVORY	1-1116604-1
	VIOLET	1-1116604-0
	GREEN	1116604-9
	YELLOW	1116604-8
	RED	1116604-7
	BLUE	1116604-6
	ORANGE	1116604-5
	NEMA GRAY	1116604-4
	WHITE	1116604-3
BLACK	1116604-2	
LIGHT ALMOND	1116604-1	

PACKAGE HOUSING COLOR PART NUMBER

DIMENSIONS:		TOLERANCES UNLESS OTHERWISE SPECIFIED:		DWN		tyco		AMP Incorporated	
mm [INCHES]		0 PLC	±	P	PEPE	05AUG98	Electronics	Harrisburg, PA 17105-3608	
		1 PLC	±	P	PEPE	05AUG98		ASSEMBLY, TOOLLESS, CAT 5e, UNIVERSAL, RJ45	
		2 PLC	±.25 [.01]	APVD	PEPE	05AUG98	SIZE CAGE CODE DRAWING NO RESTRICTED TO		
		3 PLC	±.13 [.005]	PRODUCT SPEC		A		00779	C=1116604
		4 PLC	±	APPLICATION SPEC		SCALE 4:1		SHEET 1	OF 1
		ANGLES	±	WEIGHT		CUSTOMER DRAWING		REV D	