

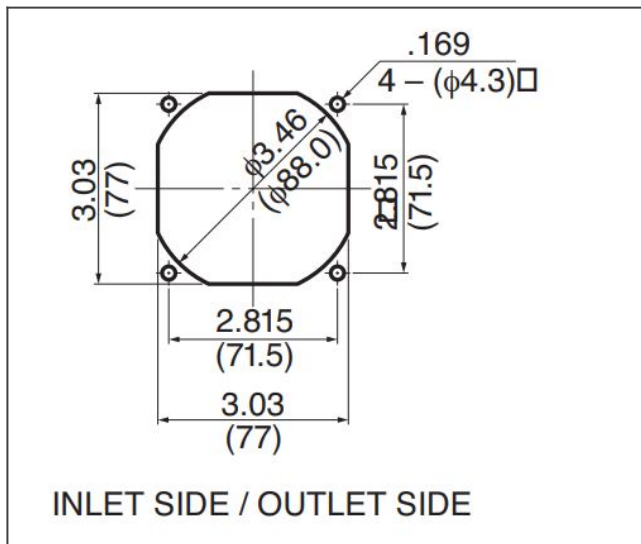
## General Specifications

Motor Structure: Shaded Pole Induction Motor  
 Motor Protection: Impedance Protection  
 Insulation Resistance: 10M Ohm or over with DC500V Megger  
 Dielectric Withstand Voltage: AC 700V 1s  
 Allowable Ambient Temperature Range:  
 -10 degree C ~ +70 degree C (Operating)  
 -40 degree C ~ +70 degree C (Storage)  
 (non-condensing environment)

**order part 08038FB-B3K-EA-00\_60Hz Ball Bearing Fan AC Axial Fans**



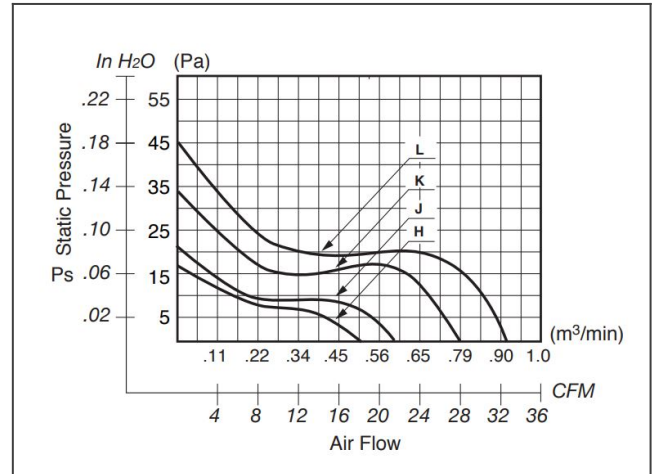
**08038FB panel cut out**



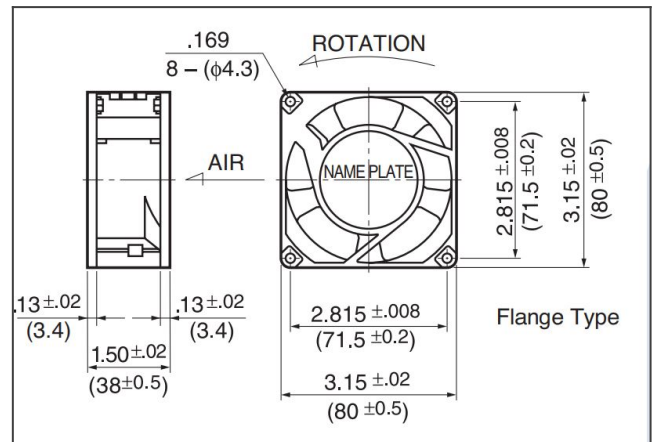
## Material

Casing: Aluminum Black Painting  
 Impeller: Plastic (Black) UL94V-0  
 Lead Wire or Terminal: UL3266, AWG22 / Faston #110 or equivalent

**08038FB characteristics curve**



**08038FB product drawing**



## Detailed Specifications

<b>Expected Life:</b>	*Failure rate 10% 25deg.C 50,000 hours
<b>Nominal Voltage:</b>	230[V]
<b>Frequency:</b>	60[Hz]
<b>Starting Voltage:</b>	175[V]
<b>AC Fans:</b>	Ball Bearing Fan
<b>Current:</b>	0.06[A]
<b>Input Power (+10% - 20%):</b>	7.5[V]
<b>Speed:</b>	2750[ $\text{min}^{-1}$ ]
<b>Max. Air Flow:</b>	0.79[m <sup>3</sup> /min]
<b>Max. Air Flow:</b>	28[CFM]
<b>Max. Static Pressure:</b>	32.5[Pa]
<b>Max. Static Pressure:</b>	0.13[In H <sub>2</sub> O]
<b>Noise:</b>	40[dB]
<b>Fan Size:</b>	80[mm]
<b>Fan Width:</b>	38[mm]
<b>Mass:</b>	340[g]