



PRODUCT SPECIFICATION  
PART NUMBER: ACAT-A185  
DESCRIPTION: ATTENUATOR, CURRENT CONTROLLED, 6 dB, SURFACE MOUNT

REV.	DESCRIPTION	DATE	APP'D
-	INITIAL RELEASE	6/00	RG
B	UPDATED TO NEW FORMAT	5/16/01	CP
C	UPDATED SPEC.	6/13/02	RG
D	UPDATED SPEC.	3/24/05	CP

FREQUENCY RANGE: 2.7 - 3.3 GHz MIN.

INSERTION LOSS: 1.5 dB MAX.

VSWR: 1.4 : 1 MAX.

ATTENUATION: 6 dB MIN.

INSERTION LOSS VS. FREQUENCY: 0.1 dB MAX.

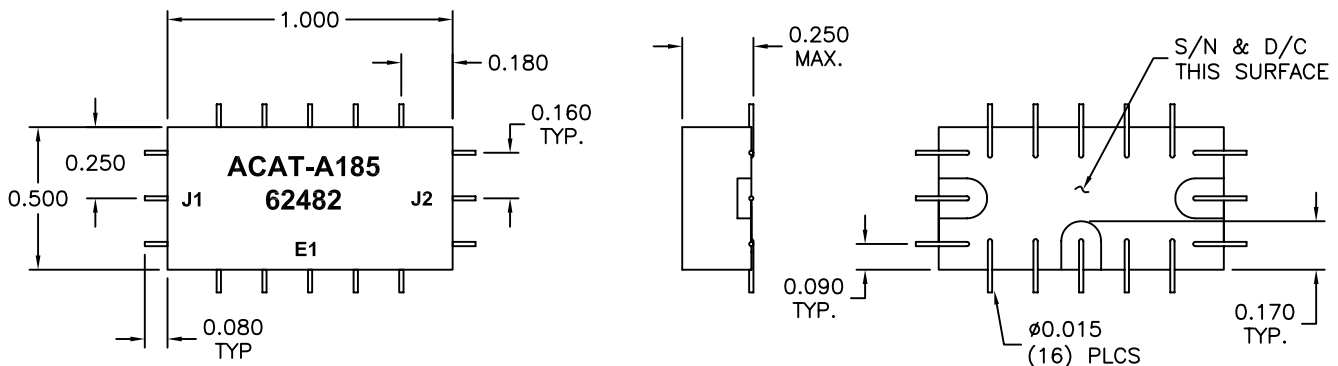
INSERTION LOSS VS. TEMP.: 0.1 dB MAX.

1 dB COMPRESSION POINT (INPUT): +10 dBm MIN.

CONTROL: INSERTION LOSS: 0 mA (0V)  
6 dB ATTENUATION: 10 mA NOMINAL (T.B.D. VOLTS)  
\*VOLTAGE CONTROLLED OPTION TO INCLUDE  
INTERNAL CURRENT LIMITING RESISTOR

TEMPERATURE:  
OPERATING: 0 TO +50°C  
STORAGE: -55°C TO +125°C

FINISH: GOLD PLATE PER MIL-G-45204



This document is the property of Advanced Control Components Inc. and contains company confidential and/or proprietary information. It is issued in strict confidence and the recipient shall not reproduce, copy, cause to be reproduced or copied, disclose to others, or use as the basis for manufacture, sale or purchase of apparatus the contents or portions thereof of this document without written permission of Advanced Control Components Inc.

**CAUTION**  
UNLESS THIS DRAWING BEARS AUTHORIZED SIGNED APPROVAL(S) IT IS PRELIMINARY AND IS NOT TO BE USED FOR MANUFACTURING PURPOSES.

UNLESS OTHERWISE SPECIFIED		DRAWN BY: C PERRONE	5/16/01
DIMENSIONS ARE IN INCHES TOLERANCES ON FINISH: RMS 63 ANGLES: ±1/2° FRACTIONS: ±1/64 4 PLACE DECIMALS: ±.0005 3 PLACE DECIMALS: ±.005 2 PLACE DECIMALS: ±.01		APPROVED BY: R. GALLI	5/16/01
		SHEET: 1 OF 1	
		FILECODE: ACAT-A185	