

MATERIALS AND FINISHES

BODY OUTER BRASS  
PLATED SEE TABLE

BODY INNER BRASS  
PLATED SEE TABLE

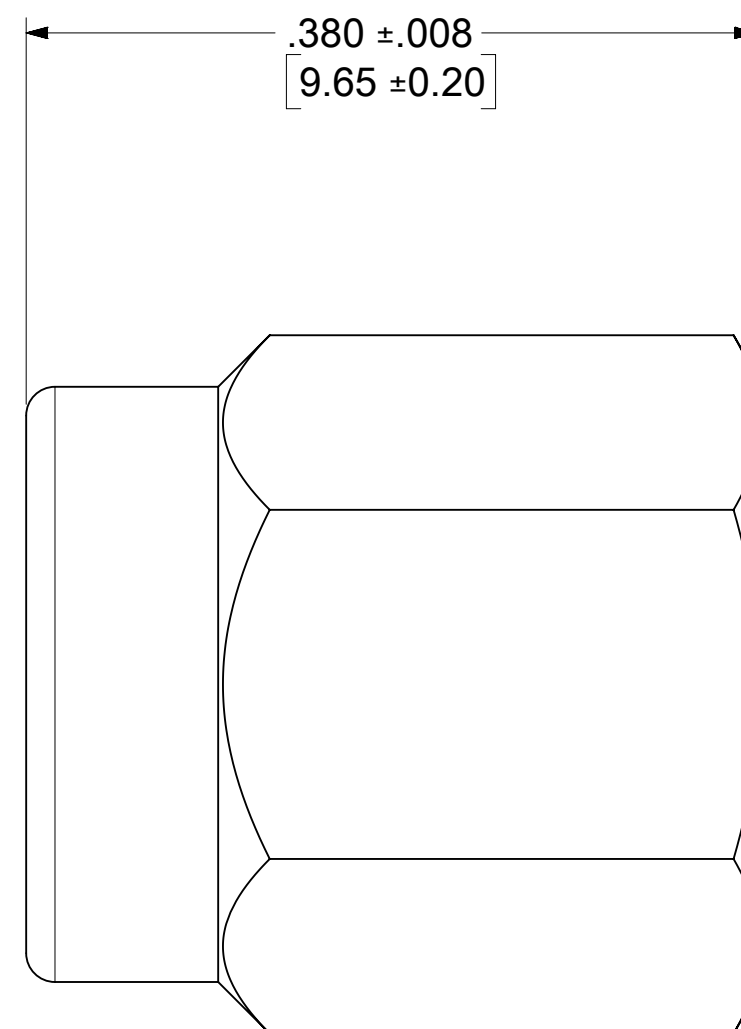
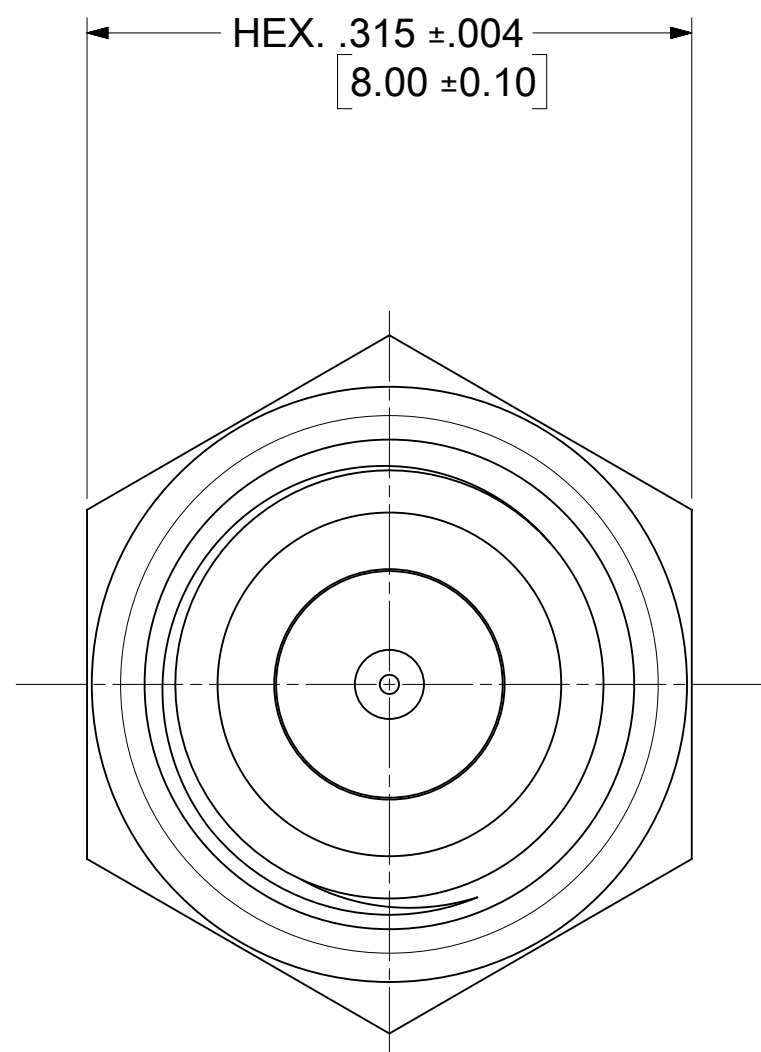
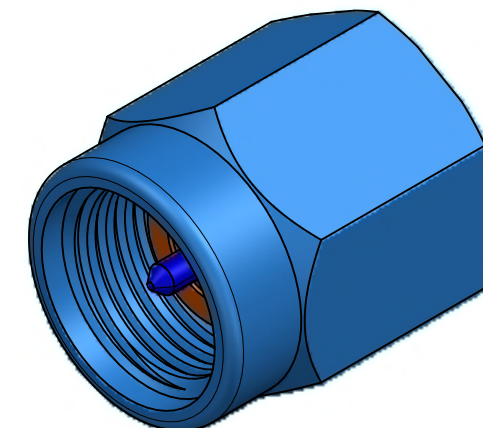
CONTACT BRASS  
PLATED SEE TABLE

INSULATOR TEFLON

RESISTOR: 2 100 OHM ±1% CHIP RESISTORS

ELECTRICAL PERFORMANCE:

- VSWR ≤ 1.20 THRU 6 GHz
- VSWR ≤ 1.30 THRU 12 GHz
- VSWR ≤ 1.35 THRU 18 GHz



MIL-STD-348A, FIG 310.1	INTERFACE
SPECIFICATION	DESCRIPTION

73391-0683	NICKEL (100 μ IN)	GOLD (FLASH)	GOLD (10 μ IN MIN.)	73251-3491	89542-0044
73391-0682	GOLD (10 μ IN MIN.)	GOLD (10 μ IN MIN.)	GOLD (30 μ IN MIN.)	-----	89542-0040
73391-0681	GOLD (FLASH)	GOLD (10 μ IN MIN.)	GOLD (10 μ IN MIN.)	73251-3490	89542-0040
73391-0680	NICKEL (100 μ IN)	GOLD (FLASH)	GOLD (10 μ IN MIN.)	73251-3491	89542-0040
PART NO.	OUTER BODY	BODY INNER	CONTACT	SAME AS	PACKAGE
	FINISH	FINISH	FINISH		

DOCUMENT STATUS	P1	RELEASE DATE	2021/02/08 07:33:30
-----------------	----	--------------	---------------------

FUNCTIONAL SYMBOLS $\nabla_A = 0$ $\nabla_C = 0$ $\nabla_P = 0$ DIVISIONAL SYMBOLS	THIS DRAWING CONTAINS INFORMATION THAT IS PROPRIETARY TO MOLEX ELECTRONIC TECHNOLOGIES, LLC AND SHOULD NOT BE USED WITHOUT WRITTEN PERMISSION										
	DIMENSION UNITS	SCALE	CURRENT REV DESC: ADDED -0683 PER EWR # 14242-D								
	HYBRID	NTS	GENERAL TOLERANCES (UNLESS SPECIFIED)								
	ANGULAR TOL ± 2.0°		EC NO: 654522								
4 PLACES ±		DRWN: ELIN 2021/01/26									
3 PLACES ±		CHK'D: YCHENG 2021/02/08									
2 PLACES ±		APPR: YCHENG 2021/02/08									
1 PLACE ±		INITIAL REVISION:									
0 PLACES ±		DRWN: CLLI 2004/11/17									
DRAFT WHERE APPLICABLE MUST REMAIN WITHIN DIMENSIONS		THIRD ANGLE PROJECTION		DRAWING		SERIES		MATERIAL NUMBER		CUSTOMER	
				C-SIZE		73391		SEE TABLE		GENERAL MARKET	
								SD-73391-068		PSD 001 E4	
								DOCUMENT NUMBER		DOC TYPE DOC PART REVISION	
										1 OF 1	

# Mouser Electronics

Authorized Distributor

Click to View Pricing, Inventory, Delivery & Lifecycle Information:

[Molex:](#)

[73391-0680](#)