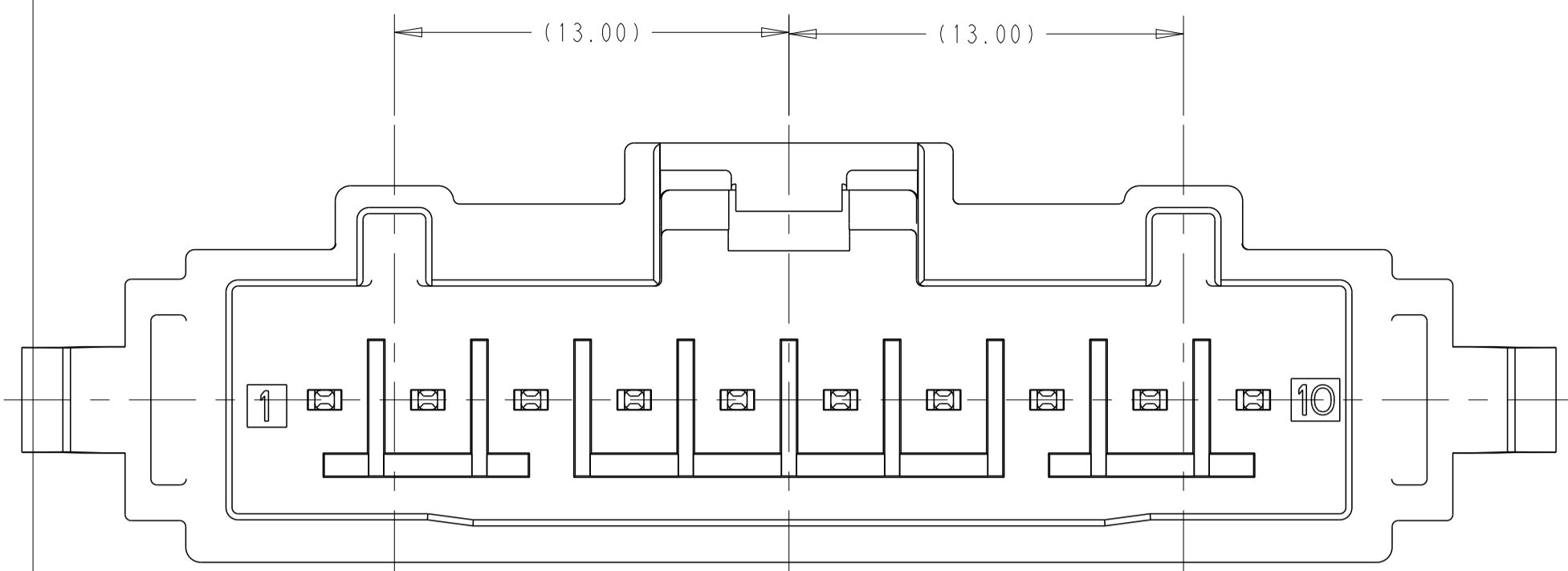
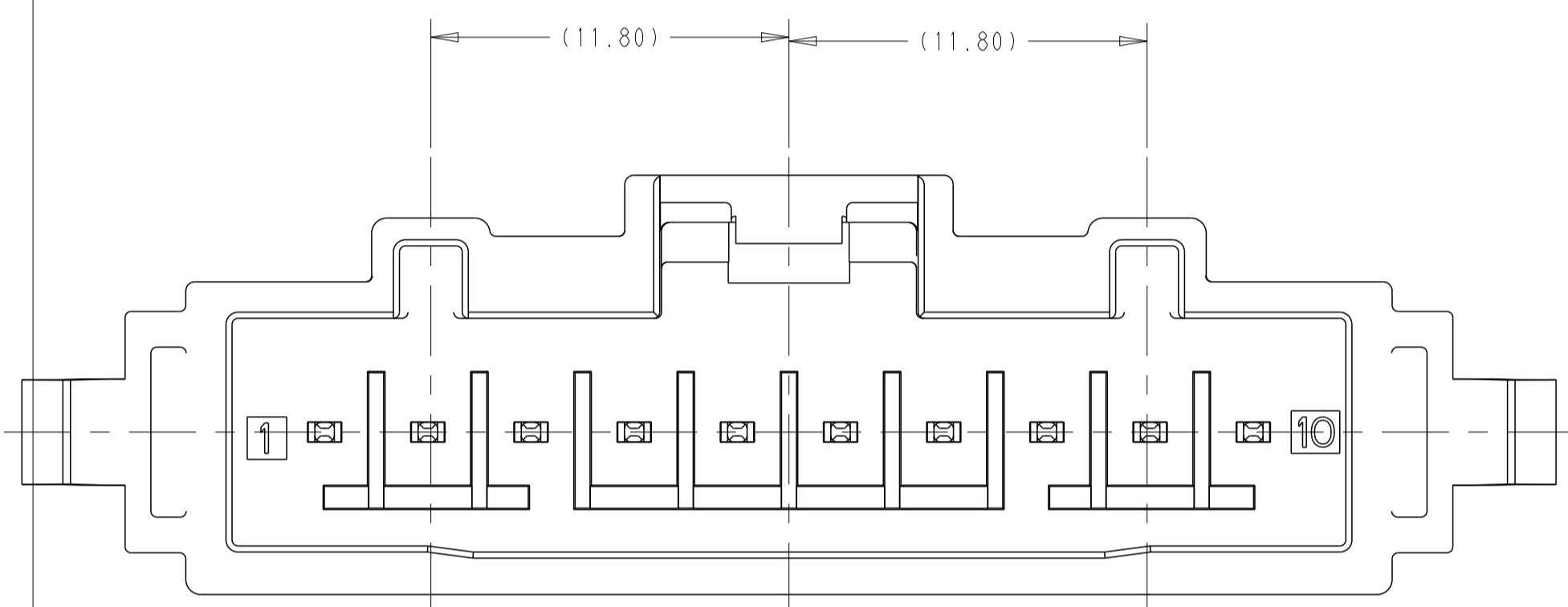


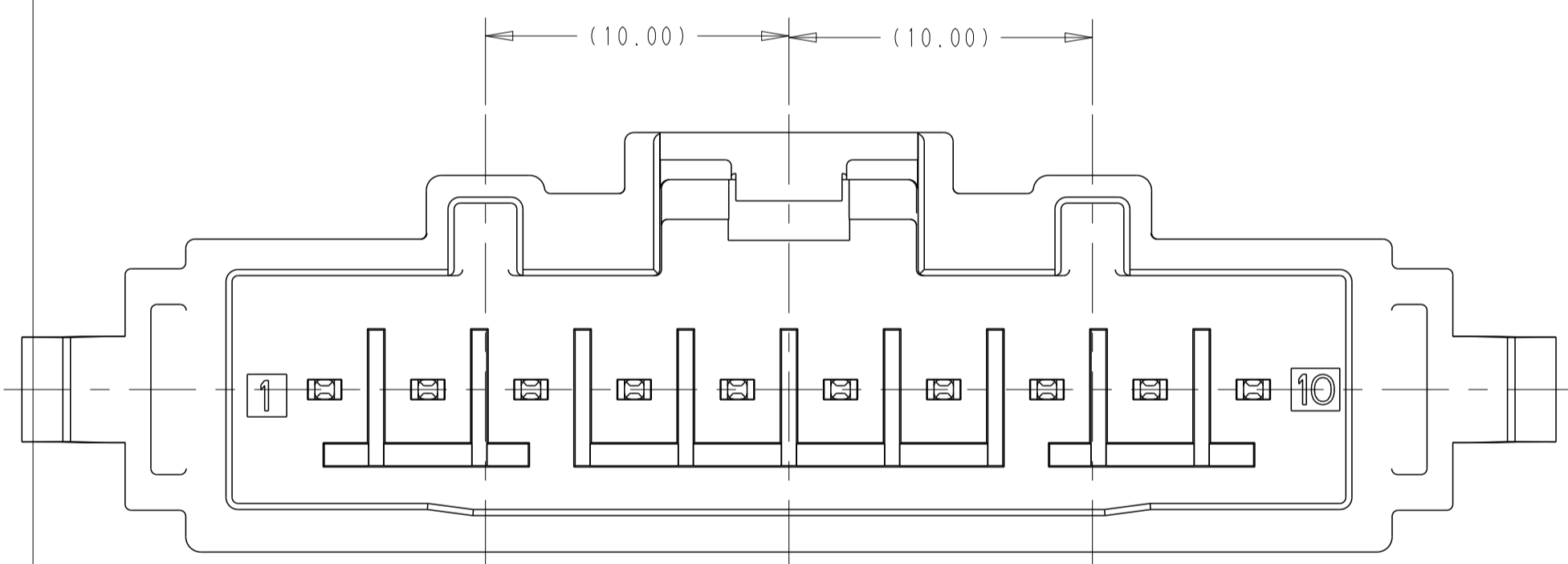
KEY CODE A



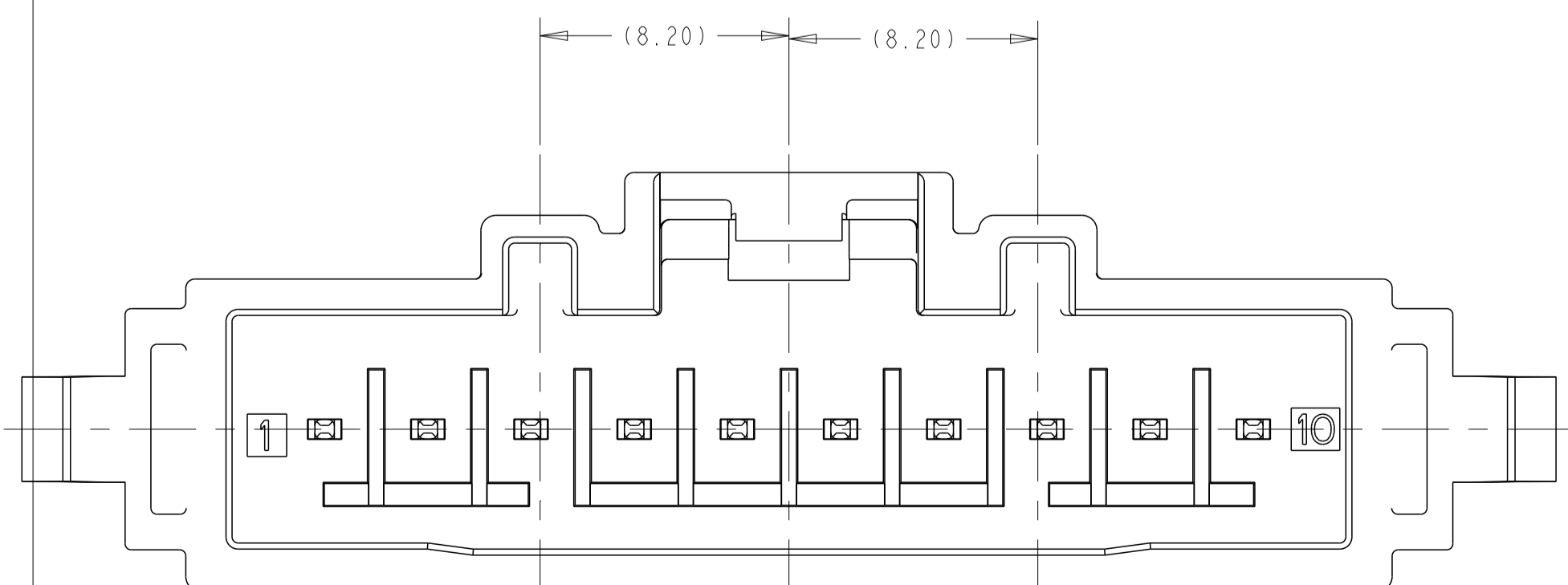
KEY CODE B



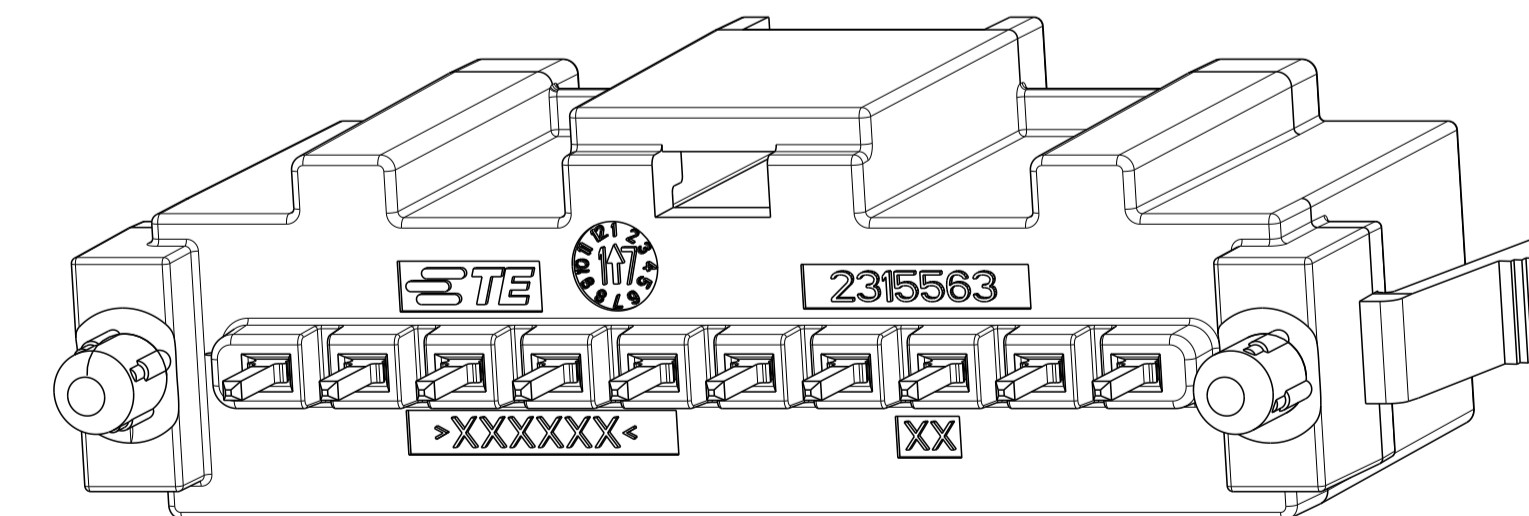
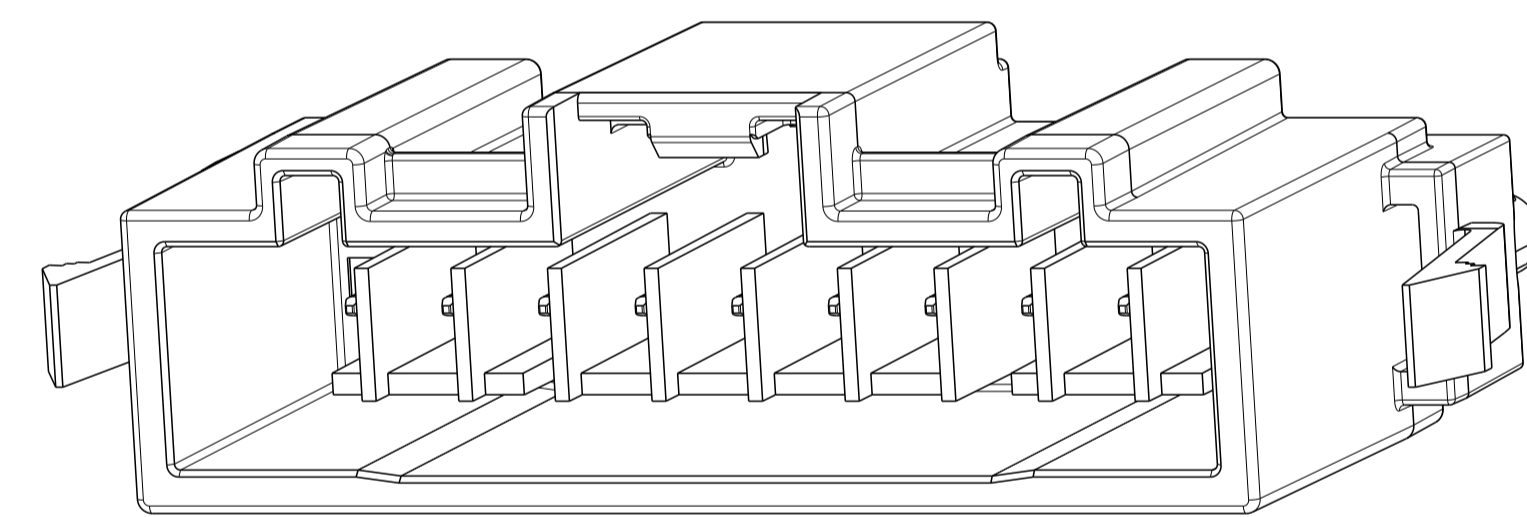
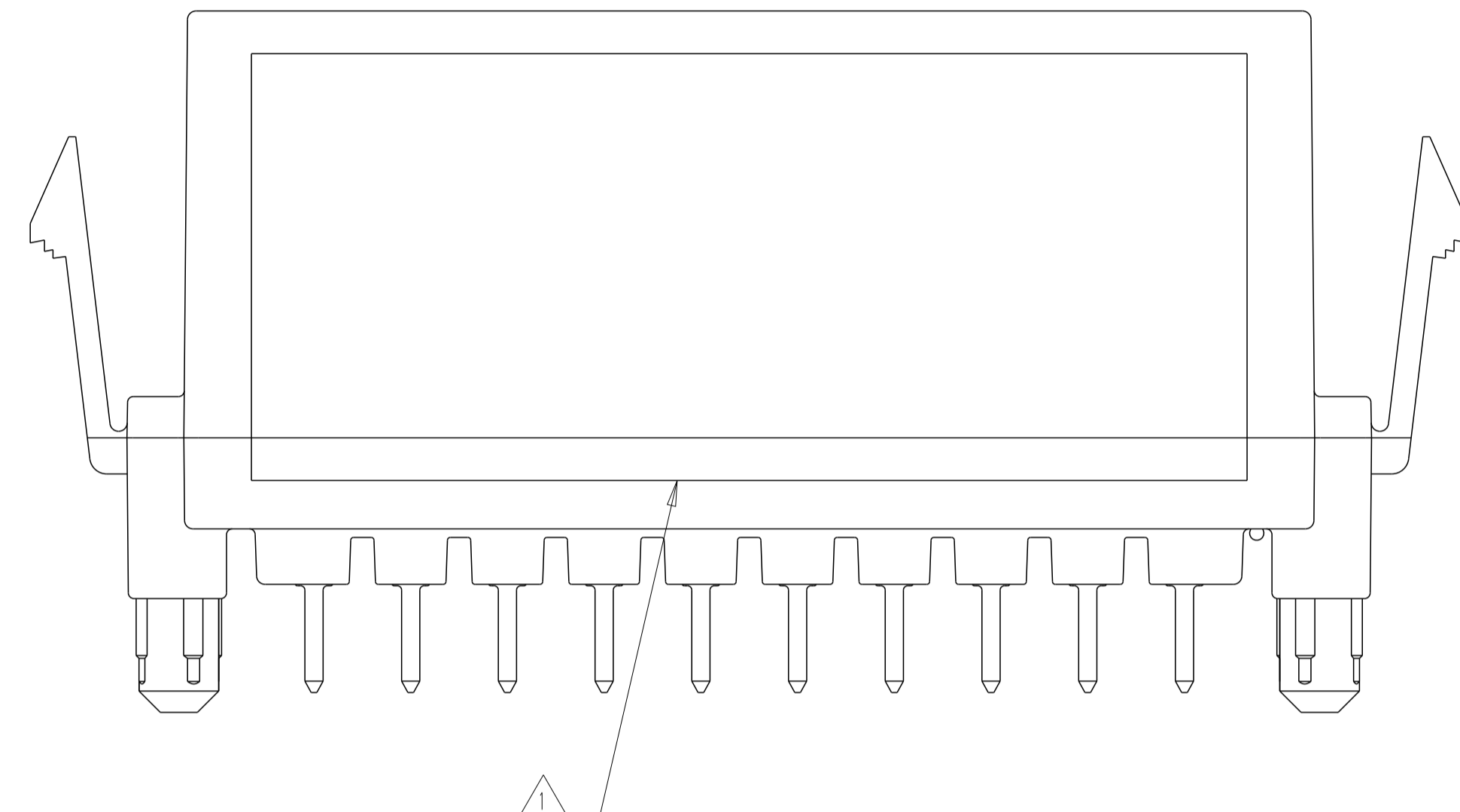
KEY CODE C



KEY CODE D



REVISIONS				
P	LTN	DESCRIPTION	DATE	APVD
-		SEE SHEET 1	-	-



THIS DRAWING IS A CONTROLLED DOCUMENT.		DWN TISHA MINGO-ODUBOTE 01MAY2017 CHK RIDHI KHINVASARA 01MAY2017 APVD GALEN MARLIN 01MAY2017	STE TE Connectivity		
DIMENSIONS: mm 		TOLERANCES UNLESS OTHERWISE SPECIFIED: 0 PLC ±.5 1 PLC ±.25 2 PLC ±0.15 3 PLC ±0.13 4 PLC ±0.10 DIMLES ±0.0001 FINISH		NAME 10POS, TAB0.64X0.64,HDR ASSY, 180DEG,SLDR PRODUCT SPEC - APPLICATION SPEC - SIZE CAGE CODE DRAWING NO RESTRICTED TO WEIGHT 6.01g A1 C=2315562 - CUSTOMER DRAWING SCALE 5:1 SHEET 2 OF 2 REV A4	

Mouser Electronics

Authorized Distributor

Click to View Pricing, Inventory, Delivery & Lifecycle Information:

[TE Connectivity:](#)

[2315562-1](#)