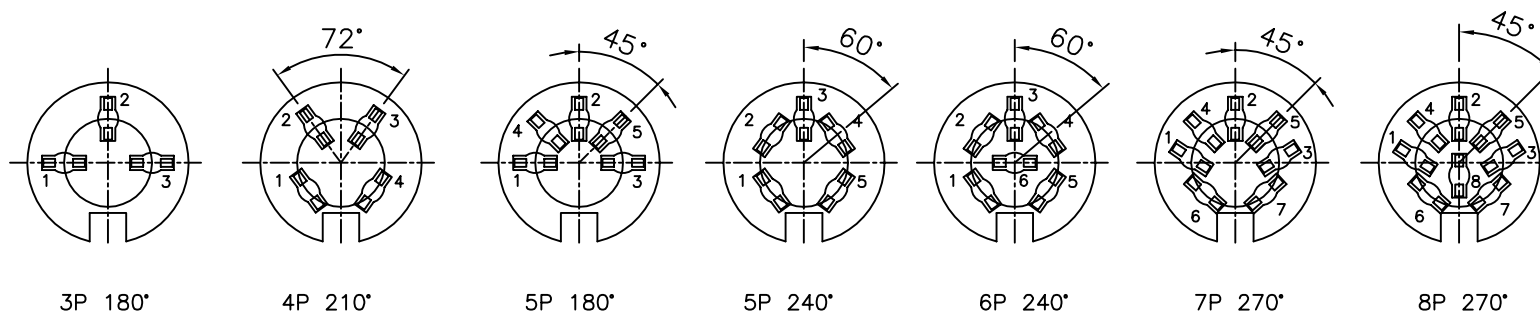
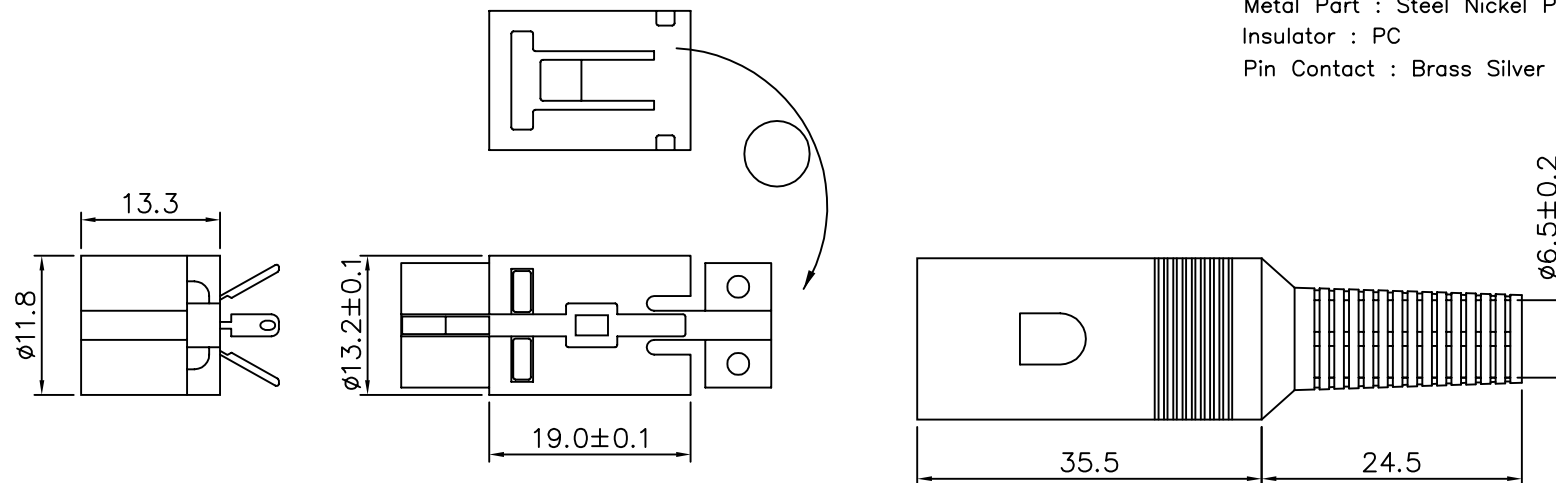


SPECIFICATIONS

Boot : PVC,Black
 Metal Part : Steel Nickel Plated
 Insulator : PC
 Pin Contact : Brass Silver Plated



AUK A NUMBER OF AUK GROUP
太聯事業股份有限公司
 AUK CONTRACTORS CO., LTD.

DRAWING No.
 DA05S-BE

APPROVED BY MEI
 CHECKED BY RAN
 DRAWING BY HZF
 REV. A

UNLESS OTHERWISE SPECIFIED
 TOLERANCES ARE
 .X ±0.1
 .XX ±0.05
 ANG.
 UNIT mm

SCALE	NONE	REV.	A	UNIT	mm	AREA	REVISIONS	CHK	DATE
-------	------	------	---	------	----	------	-----------	-----	------