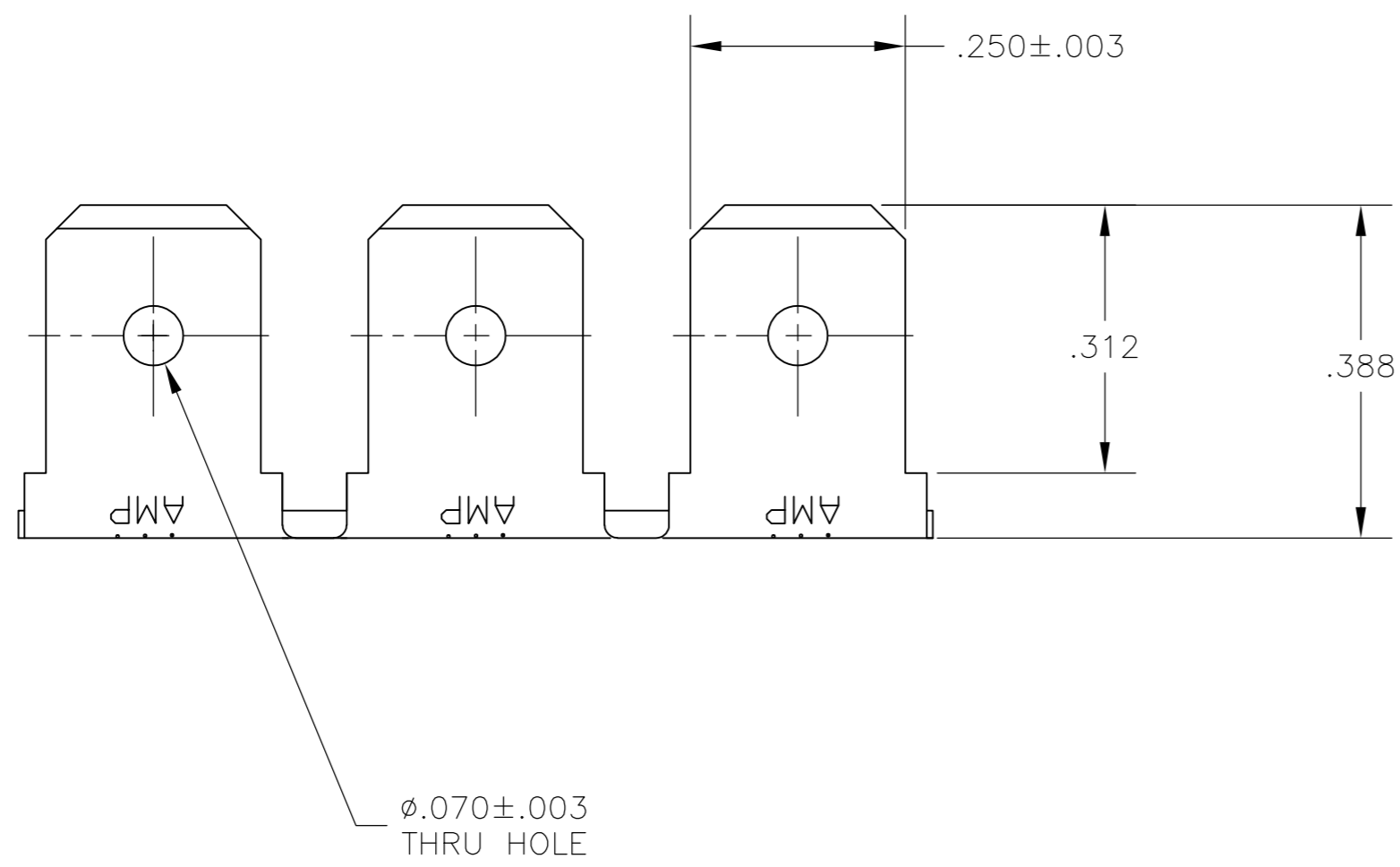
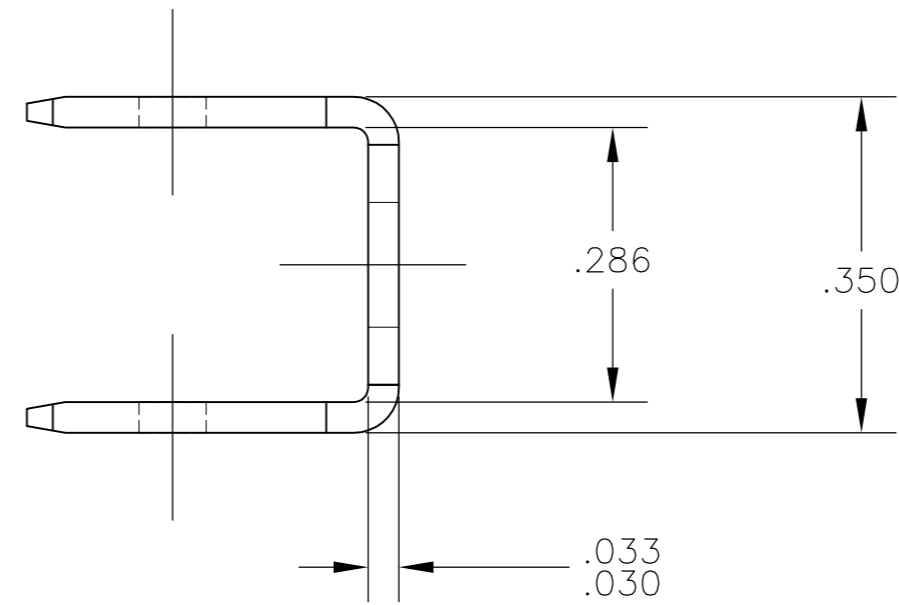
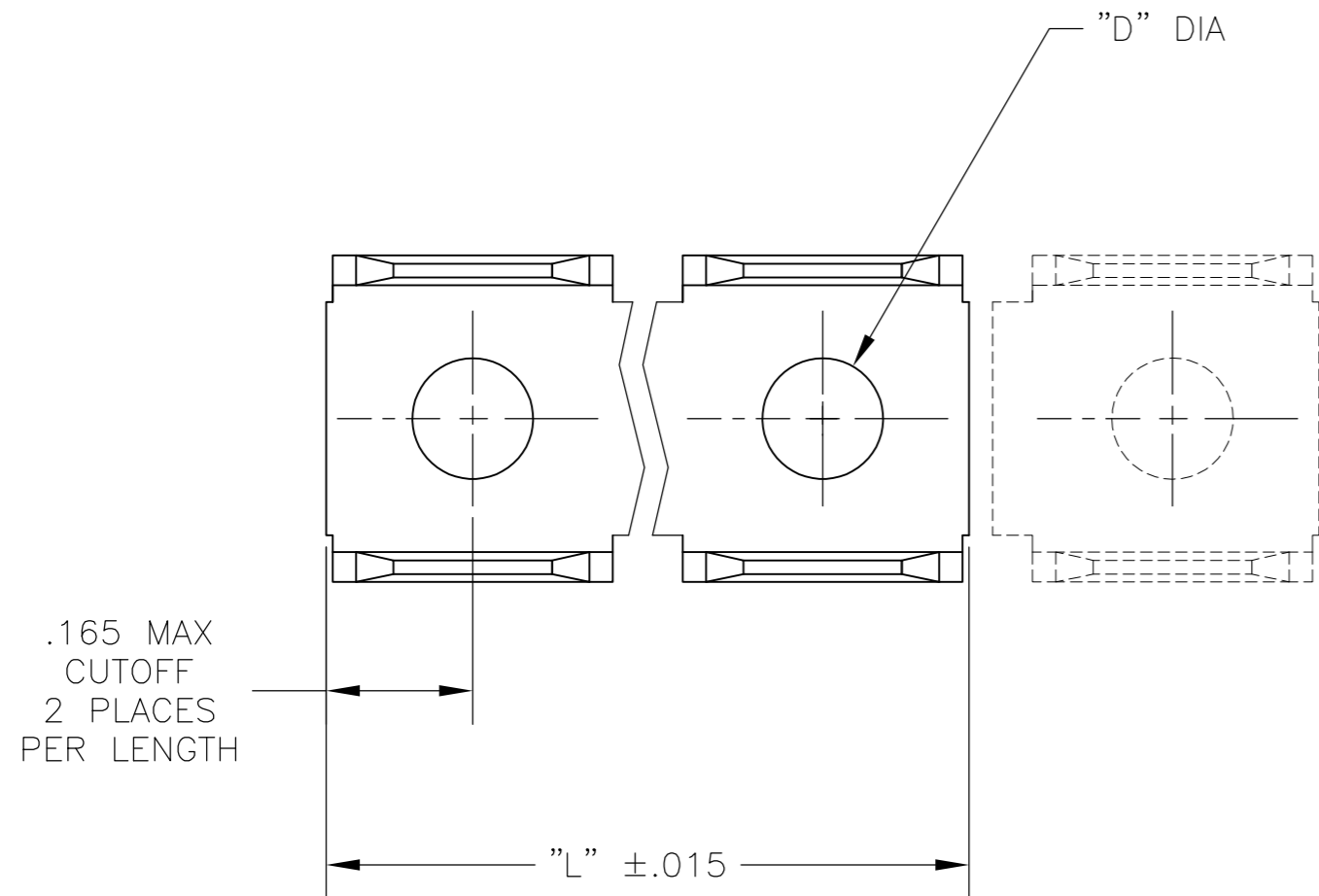


THIS DRAWING IS UNPUBLISHED. RELEASED FOR PUBLICATION
 © COPYRIGHT BY TYCO ELECTRONICS CORPORATION. ALL RIGHTS RESERVED.

LOC		DIST		REVISIONS			
P	LTR	DESCRIPTION		DATE	DWN	APVD	
AF	50	G1	REV PER ECR 07-010098	22FEB08	JR	KR	

1 SUPPLIED IN LOOSE PIECE.
 2 .000100 MIN TIN PLATE.



OBSOLETE

2.190	.130	6	TIN PLATE \triangle_2	6-155300-4
2.190	.130	6	-	6-155300-3
2.190	.162	6	TIN PLATE \triangle_2	6-155300-2
2.190	.162	6	-	6-155300-1
1.810	.130	5	TIN PLATE \triangle_2	5-155300-8
1.810	.130	5	-	5-155300-7
.685	.130	2	TIN PLATE \triangle_2	2-155300-2
.685	.130	2	-	2-155300-1
.310	.130	1	TIN PLATE \triangle_2	1-155300-6
.310	.130	1	-	1-155300-5
.315	.162	1	TIN PLATE \triangle_2	1-155300-2
.315	.162	1	-	1-155300-1
REEL	.075	REEL	-	155300-4
REEL	-	REEL	-	155300-3
REEL	.130	REEL	TIN PLATE \triangle_2	155300-2
REEL	.130	REEL	-	155300-1
L	D	NUMBER OF PARTS	FINISH	PART NUMBER

THIS DRAWING IS A CONTROLLED DOCUMENT.

DWN	M.S. FEHER	01MAY2006	Tyco Electronics Corporation Harrisburg, PA 17105-3608
CHK	K.A. RANDOLPH	01MAY2006	
APVD	K.A. RANDOLPH	01MAY2006	
PRODUCT SPEC	NAME		
APPLICATION SPEC	NAME		TAB, FASTON, .250 SERIES
MATERIAL	082 BRASS	FINISH	SEE TABLE
WEIGHT	-	SCALE	A2 00779 C=155300
CUSTOMER DRAWING	SCALE	5:1	SHEET 1 of 1 REV G1