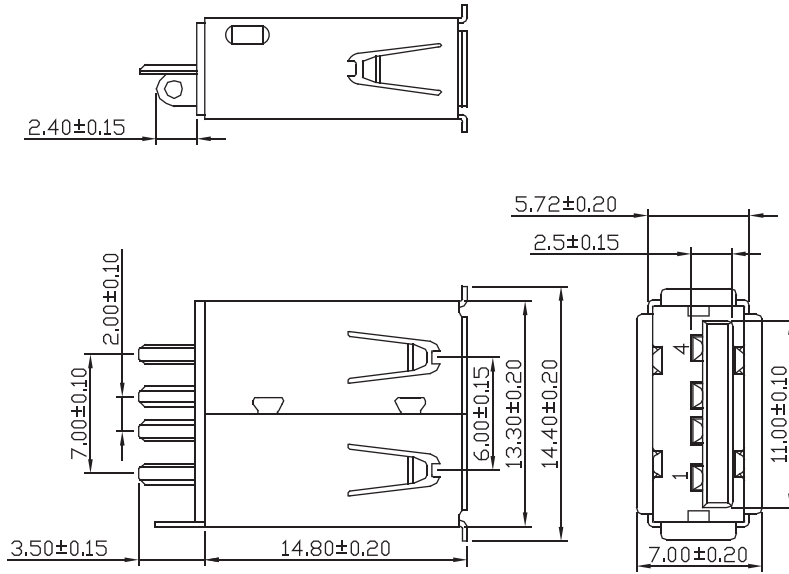




USB Female Solder A Type



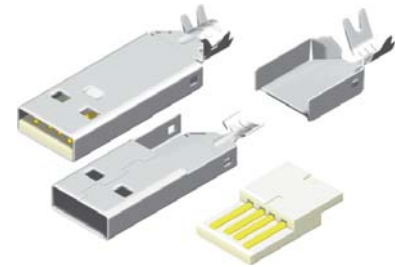
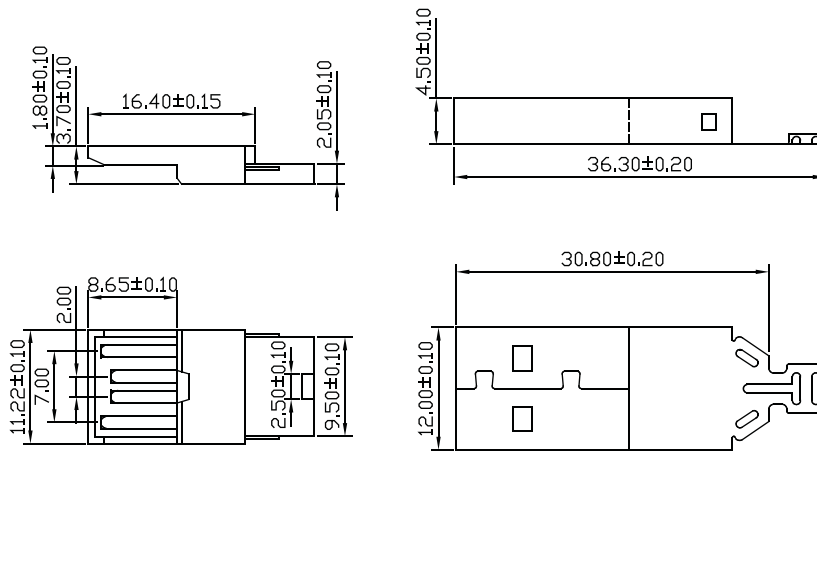
No.	Name	Q'ty	Material	Remarks & Thickness	Finish
1	Contact	4	Copper Alloy	T=0.25mm	Gold Flash all over
2	Housing	1	PBT	UL 94-V0	Ivory/Black
3	Shell	1	Copper Alloy	T=0.30mm	Nickel Plated

Part No.: **USB-FS-A** -L

B:Black W:White

U SB Conn. Series

USB Male Solder A Type



No.	Name	Q'ty	Material	Remarks & Thickness	Finish
1	Front-shell	1	Cold Rolled Steel	T=0.30mm	Nickel Plated
2	Contact	4	Copper Alloy	T=0.25mm	Gold Flash all over
3	Housing	2	PBT	UL 94-V0	White / Black
4	Back-Shell	1	Cold Rolled Steel	T=0.30mm	Nickel Plated

Part No.: **USB-MSL-A** -L

B:Black W:White

