

Features

- T3001 Equivalent
- Small size of 7.7 mm
- Operating temperature -40 °C to +85 °C

Applications

- Telecom

PT75426 - T3/DS3/E3/STS-1 Transformer

Electrical Specifications @ 25 °C

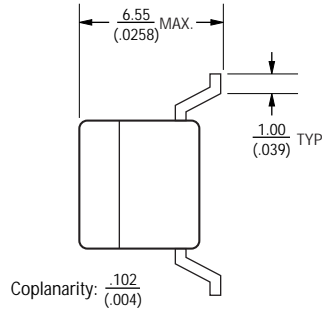
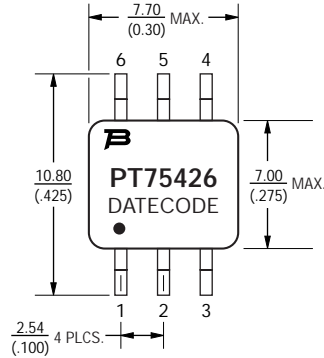
Turns Ratio ±2 %	
(1-3):(6-4)	1:1
OCL (1-3) @ 10 kHz, 0.1 Vrms	100 µH min.
OCL (1-3) @ 40 °C @ 10 kHz, 0.1 Vrms	40 µH min.
Leakage Inductance (1-3)	
@ 100 KHz, 0.01 Vrms, short (6-4)	0.11 µH max.
C _{ww} (Pri. to Sec. Windings)	
@ 100 kHz, 0.1 Vrms	10 pF max.
3 dB Bandwidth (1-3):(6-4)	
@ 75 Ω impedance	0.2 to 340 MHz typ.
HIPOT (Pri. to Sec. Windings) (VAC)	1500

Packaging Specifications

Tape & Reel*800 pcs./reel

*"E" suffix at end of part number designates tape & reel packaging, e.g. PT75426E.

Product Dimensions

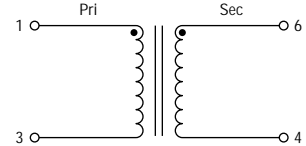


DIMENSIONS ARE: $\frac{\text{MM}}{\text{(INCHES)}}$

TOLERANCE: ± $\frac{0.25}{(0.010)}$

NOTE: DIMENSIONS ARE EXCLUSIVE OF SOLDER

Electrical Schematic



Reliable Electronic Solutions

Asia-Pacific: TEL +886-2 25624117
FAX +886-2 25624116

Europe: TEL +41-41 7685555
FAX +41-41 7685510

N. America: TEL +1-909 781-5500
FAX +1-909 781-5700

www.bourns.com