

.5-18 GHz

SMA MAXIMALLY FLAT MINIATURE STRIPLINE COAXIAL COUPLERS

- Multi-Octave Frequency Coverage from 0.5 to 18 GHz
- Flat Frequency Response
- Small, Lightweight
- Operational to 105°C without degradation (125°C storage)
- Designed for MIL Environments

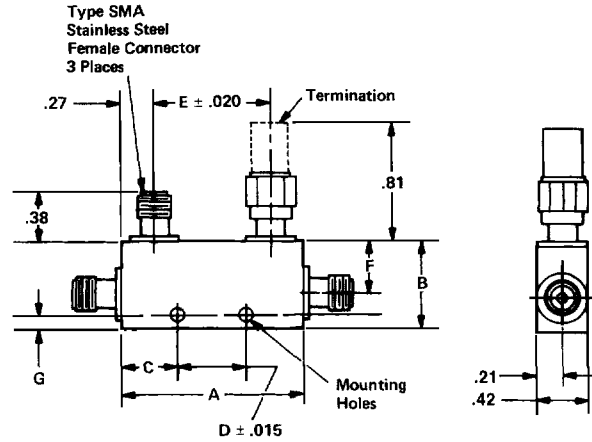
SPECIFICATIONS

FREQUENCY RANGE (GHz)	MODEL	NOMINAL COUPLING (dB)	DIRECTIVITY dB (Min)	INSERTION LOSS		VSWR		FREQUENCY SENSITIVITY* (dB) Max	MAXIMUM DEVIATION from NOMINAL (dB)	POWER		WEIGHT	
				EXCLUDING COUPLED POWER	TRUE	PRIMARY LINE Max	SECONDARY LINE Max			AVG. Watts	PEAK kW	Oz	Gr (Max)
0.5-2	4242	6	22	0.35	2.00	1.20	1.20	±0.5	±1.0	50	3	2.5	71
		10	22	0.35	0.90	1.20	1.20	±0.5	±1.0	50	3	2.5	71
		20	22	0.35	0.40	1.20	1.20	±0.5	±1.0	50	3	2.5	71
1-3.5	4243	6	20	0.35	2.00	1.20	1.20	±0.3	±1.0	50	3	1.5	41
		10	23	0.35	0.90	1.20	1.20	±0.3	±1.0	50	3	1.5	41
		20	23	0.35	0.40	1.20	1.20	±0.4	±1.0	50	3	1.5	41
2-8	4244	6	20	0.50	2.20	1.30	1.30	±0.4	±1.0	50	3	1	29
		10	20	0.35	0.90	1.25	1.25	±0.5	±1.0	50	3	1	29
		20	20	0.35	0.40	1.25	1.25	±0.4	±1.0	50	3	1	29
		30	20	0.40	0.40	1.25	1.25	±0.5	±1.0	50	3	1.3	35
4-12.4	4245B	6	16	0.50	2.20	1.30	1.30	±0.4	±1.0	50	3	0.7	21
		10	16	0.50	1.20	1.30	1.30	±0.4	±1.0	50	3	0.7	21
		20	15	0.50	0.60	1.30	1.30	±0.5	±1.0	50	3	0.8	24
		30	15	0.50	0.50	1.30	1.30	±0.5	±1.0	50	3	0.8	24
6-18	4246B	6	15	0.80	2.50	1.40	1.40	±0.5	±1.0	50	3	0.9	25
		10	15	0.60	1.20	1.40	1.40	±0.5	±1.0	50	3	0.9	25
		20	12	0.60	0.70	1.40	1.40	±0.5	±1.0	50	3	0.9	25
		30	12	0.60	0.60	1.40	1.40	±0.5	±1.0	50	3	0.9	25

*Frequency Sensitivity **included** in coupling value.

All connectors are SMA type.

OUTLINE DRAWINGS



MODEL	A	B	C	D	E	F	G	MOUNTING HOLES
4242-6, 10	3.54	1.04	.85	1.843	3.000	.77	.36	.146 ±.005
4242-20	4.04	1.04	.77	2.500	3.500	.77	.16	.146 ±.005
4243-6, -10	2.92	.67	.48	1.968	2.384	.34	.15	.146 ±.005
4243-20	2.92	.85	.59	1.750	2.384	.50	.16	.146 ±.005
4244-6, -10, -20	1.81	.67	.47	0.875	1.274	.34	.15	.146 ±.005
4244-30	2.12	.82	.62	0.875	1.584	.52	.11	.104 ^{-.004} / _{-.002}
4245B-6, -10, -20, -30	1.26	.58	.44	.375	.719	.34	.11	.104 ^{+.004} / _{-.002}
4246B-6, -10, -20, -30	1.40	.66	.45	.500	.860	.39	.11	.104 ^{+.004} / _{-.002}

All dimensions are Max. unless otherwise specified.