



HIGH POWER OP-AMP

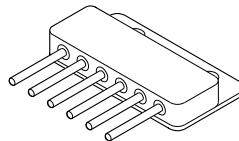
541 SERIES

4707 Dey Road Liverpool, N.Y. 13088

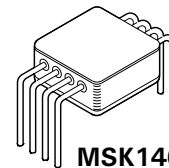
(315) 701-6751

FEATURES:

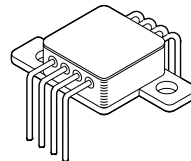
- Available to SMD #5962-88701
- High Output Current - 10 Amps Peak
- Wide Power Supply Range - $\pm 10V$ to $\pm 40V$
- Programmable Current Limit
- FET Input
- Isolated Case
- Replacement for OMA 541SKB - MSK541
OMA 541SDB - MSK146
OMA 541SZB - MSK147



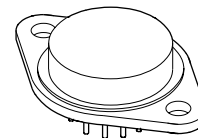
MSK145



MSK146



MSK147



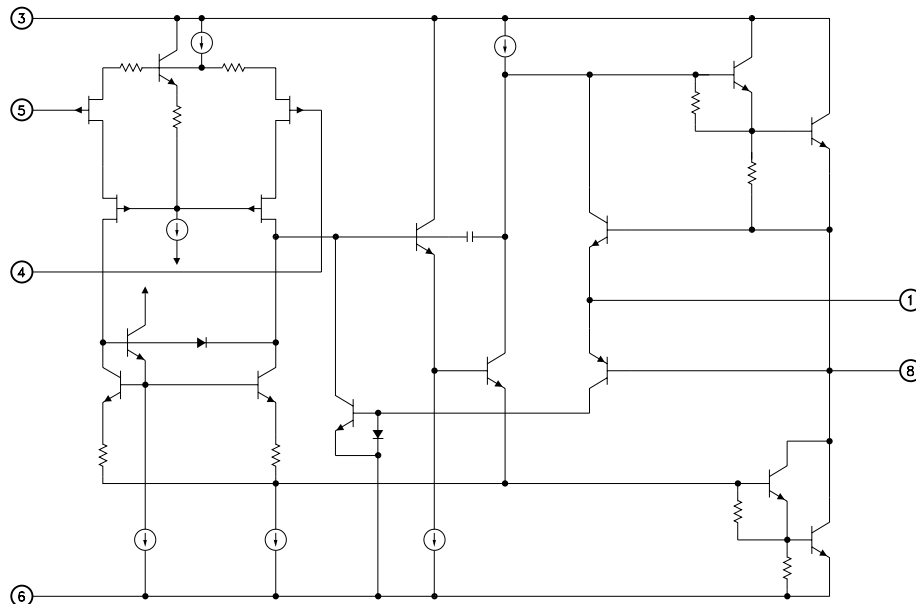
MSK541

DESCRIPTION:

The MSK 541 is a high power monolithic amplifier ideally suited for high power amplification and magnetic deflection applications. This amplifier is capable of operation at a supply voltage rating of 80 volts and can deliver guaranteed continuous output currents up to 5A, making the 541 series an excellent low cost choice for motor drive circuits. The amplifier and load can be protected from fault conditions through the use of internal current limit circuitry that can be user programmed with a single external resistor. The MSK 541 is pin compatible with popular op-amps such as the Burr-Brown OPA501, OPA511, OPA512, OPA541 and 3573. The MSK 541 is available in a hermetically sealed 8 pin TO-3 package. The MSK 145 is available in a 6 pin SIP Package. The MSK 146 is an 8 pin Power DIP Package and the MSK 147 is available in an 8 pin Power Z-TAB Package for applications requiring bolt down heat sinking. Other package styles are also available for a wide range of applications.

EQUIVALENT SCHEMATIC

(TO-3 PIN-OUT SHOWN)



TYPICAL APPLICATIONS

- Servo Amplifier
- Motor Driver
- Audio Amplifier
- Programmable Power Supply
- Magnetic Deflection

PIN-OUT INFORMATION

- | | |
|-------------------------|-------------------------|
| 1 Current Sense | 5 Inverting Input |
| 2 No Connection | 6 Negative Power Supply |
| 3 Positive Power Supply | 7 No Connection |
| 4 Non-Inverting Input | 8 Output Drive |

The above pin out table is for the MSK 541 (TO-3). Refer to the mechanical specifications page for the pin out information of additional package styles.

ABSOLUTE MAXIMUM RATINGS ^⑩

| | | | | | |
|--------------|--------------------------------------|--------------|----------|-------------------------------------|-----------------------------------|
| $\pm V_{CC}$ | Supply Voltage | $\pm 40V$ | T_{ST} | Storage Temperature Range | -65° to $+150^{\circ}C$ |
| I_{OUT} | Peak Output Current | See S.O.A. | T_{LD} | Lead Temperature Range | 300° |
| V_{IN} | Differential Input Voltage | $\pm V_{CC}$ | | (10 Seconds) | |
| V_{IN} | Common Mode Input Voltage | $\pm V_{CC}$ | T_J | Junction Temperature | $150^{\circ}C$ |
| | | | T_C | Case Operating Temperature Range | |
| | | | | Military and E Versions | $-55^{\circ}C$ to $+125^{\circ}C$ |
| | | | | Industrial Versions | $-40^{\circ}C$ to $+85^{\circ}C$ |

ELECTRICAL SPECIFICATIONS ^⑨

| Parameter | Test Conditions | Group A Subgroup | Military/E | | | Industrial ^⑤ | | | Units |
|--|--------------------------------------|------------------|------------|-----------|-----------|-------------------------|-----------|-----------|-------------------|
| | | | Min. | Typ. | Max. | Min. | Typ. | Max. | |
| STATIC | | | | | | | | | |
| Supply Voltage Range ^② ^④ | | - | ± 10 | ± 35 | ± 40 | ± 10 | ± 35 | ± 40 | V |
| Quiescent Current | $V_{IN} = 0V$ | 1, 2, 3 | - | ± 20 | ± 30 | - | ± 20 | ± 35 | mA |
| INPUT | | | | | | | | | |
| Input Offset Voltage | $V_{IN} = 0V$ | 1 | - | ± 0.1 | ± 1.5 | - | ± 1.0 | ± 10 | mV |
| Input Offset Voltage Drift | $V_{IN} = 0V$ | 2, 3 | - | ± 15 | ± 50 | - | ± 15 | - | $\mu V/^{\circ}C$ |
| Input Bias Current ^④ | $V_{CM} = 0V$ Either Input | 1 | - | ± 4 | ± 50 | - | ± 4 | ± 100 | pA |
| | | 2, 3 | - | ± 0.2 | ± 50 | - | ± 0.2 | - | nA |
| Input Offset Current ^④ | $V_{CM} = 0V$ | 1 | - | 2.0 | 30 | - | 2.0 | 30 | pA |
| | | 2, 3 | - | - | 20 | - | - | - | nA |
| Input Capacitance | | - | - | 5 | - | - | 5 | - | pF |
| Input Impedance | $F = DC$ | - | - | 10^{12} | - | - | 10^{12} | - | W |
| Common Mode Rejection Ratio ^④ | $F = DC$ $V_{CM} = \pm 22V$ | - | 95 | 113 | - | 90 | 113 | - | dB |
| Power Supply Rejection Ratio | $V_{CC} = \pm 10V$ to $\pm 40V$ | - | - | 90 | - | - | 90 | - | dB |
| Input Noise Voltage | $F = 10$ Hz to 1 KHz | - | - | 10 | - | - | 10 | - | μV_{RMS} |
| OUTPUT | | | | | | | | | |
| Output Voltage Swing | $R_L = 5.6\Omega$ $F = 10$ KHz | 4 | ± 28 | ± 29 | - | ± 28 | ± 29 | - | V |
| | $R_L = 10\Omega$ $F = 10$ KHz | 5, 6 | ± 30 | ± 31 | - | - | - | - | V |
| Output Current | $R_L = 5.6\Omega$ $F = 10$ KHz | 4 | ± 5 | ± 8 | - | ± 5 | ± 8 | - | A |
| | $R_L = 10\Omega$ $F = 10$ KHz | 5, 6 | ± 3.0 | - | - | - | - | - | A |
| Settling Time ^③ | 0.1% 2V step | - | - | 2 | - | - | 2 | - | μS |
| Power Bandwidth ^④ | $R_L = 10\Omega$ $V_o = 20$ VRMS | 4 | 45 | 55 | - | 40 | 50 | - | KHz |
| TRANSFER CHARACTERISTICS | | | | | | | | | |
| Slew Rate | $V_{OUT} = \pm 10V$ $R_L = 10\Omega$ | 4 | 6 | 10 | - | 6 | 10 | - | $V/\mu S$ |
| Open Loop Voltage Gain ^④ | $F = 10$ Hz $R_L = 10$ K Ω | 4 | 95 | 100 | - | 90 | 100 | - | dB |
| | | 5, 6 | 86 | - | - | - | - | - | dB |
| Thermal Resistance | (541) | - | - | 1.2 | 1.9 | - | 1.9 | 2.2 | $^{\circ}C/W$ |
| | All Others | - | - | 1.0 | 1.2 | - | 1.0 | 1.5 | $^{\circ}C/W$ |

NOTES:

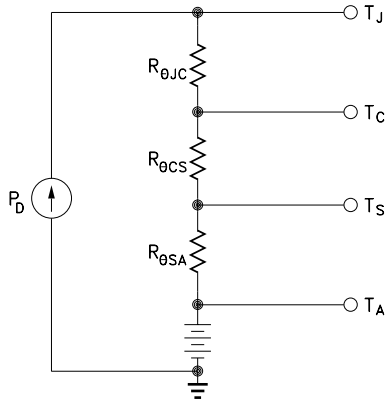
- ① Unless otherwise specified $R_{CL} = 0\Omega$, $\pm V_{CC} = \pm 34$ Vdc
- ② Electrical specifications are derated for power supply voltages other than ± 34 Vdc.
- ③ $AV = -1$, measured in false summing junction circuit.
- ④ Devices shall be capable of meeting the parameter, but need not be tested. Typical parameters are for reference only.
- ⑤ Industrial and E grade devices shall be tested to subgroups 1 and 4 unless otherwise specified.
- ⑥ Military grade devices ('B' suffix) shall be 100% tested to subgroups 1, 2, 3 and 4.
- ⑦ Subgroup 5 and 6 testing available upon request.
- ⑧ Subgroup 1, 4 $T_A = T_C = +25^{\circ}C$
Subgroup 2, 5 $T_A = T_C = +125^{\circ}C$
Subgroup 3, 6 $T_A = T_C = -55^{\circ}C$
- ⑨ Reference DSCC SMD 5962-88701 for electrical specifications for devices purchased as such.
- ⑩ Continuous operation at or above maximum ratings may adversely effect the device performance and/or life cycle.

APPLICATION NOTES

HEAT SINKING

To select the correct heat sink for your application, refer to the thermal model and governing equation below.

Thermal Model:



Governing Equation:

$$T_J = P_D \times (R_{\theta JC} + R_{\theta CS} + R_{\theta SA}) + T_A$$

Where

| | | |
|-----------------|---|---|
| T_J | = | Junction Temperature |
| P_D | = | Total Power Dissipation |
| $R_{\theta JC}$ | = | Junction to Case Thermal Resistance |
| $R_{\theta CS}$ | = | Case to Heat Sink Thermal Resistance |
| $R_{\theta SA}$ | = | Heat Sink to Ambient Thermal Resistance |
| T_C | = | Case Temperature |
| T_A | = | Ambient Temperature |
| T_S | = | Sink Temperature |

Example: (TO-3 PACKAGE)

In our example the amplifier application requires the output to drive a 20 volt peak sine wave across a 5 ohm load for 4 amps of output current. For a worst case analysis we will treat the 4 amps peak output current as a D.C. output current. The power supplies are ± 35 VDC.

1.) Find Power Dissipation

$$\begin{aligned} P_D &= [(quiescent\ current) \times (+V_{CC} - (V_{CC}))] + [(V_S - V_O) \times I_{OUT}] \\ &= (30\ mA) \times (70V) + (15V) \times (4A) \\ &= 2.1W + 60W \\ &= 62.1W \end{aligned}$$

2.) For conservative design, set $T_J = +150^\circ C$

3.) For this example, worst case $T_A = +25^\circ C$

4.) $R_{\theta JC} = 1.2^\circ C/W$ typically for the TO-3 package

5.) $R_{\theta CS} = 0.15^\circ C/W$ for most thermal greases

6.) Rearrange governing equation to solve for $R_{\theta SA}$

$$\begin{aligned} R_{\theta SA} &= (T_J - T_A) / P_D - (R_{\theta JC}) - (R_{\theta CS}) \\ &= (150^\circ C - 25^\circ C) / 62.1W - (1.2^\circ C/W) - (0.15^\circ C/W) \\ &= 0.66^\circ C/W \end{aligned}$$

The heat sink in this example must have a thermal resistance of no more than $0.66^\circ C/W$ to maintain a junction temperature of no more than $+150^\circ C$. Since this value of thermal resistance may be difficult to find, other measures may have to be taken to decrease the overall power dissipation.

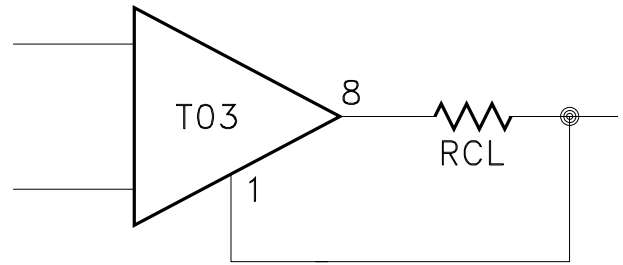
CURRENT LIMIT

The MSK 541 has an on-board current limit scheme designed to limit the output drivers anytime output current exceeds a predetermined limit. The following formula may be used to determine the value of the current limit resistance necessary to establish the desired current limit.

$$R_{CL} (\text{OHMS}) = (0.809 \text{ volts} / \text{current limit in amps}) - 0.057 \text{ OHM}$$

The 0.057 OHM term takes into account any wire bond and lead resistance. Since the 0.809 volt term is obtained from the base emitter voltage drop of a bipolar transistor, the equation only holds true for operation at $+25^\circ C$ case temperature. The effect that temperature has on current limit may be seen on the Current Limit vs. Case Temperature Curve in the Typical Performance Curves.

Current Limit Connection



See "Application Circuits" in this data sheet for additional information on current limit connections.

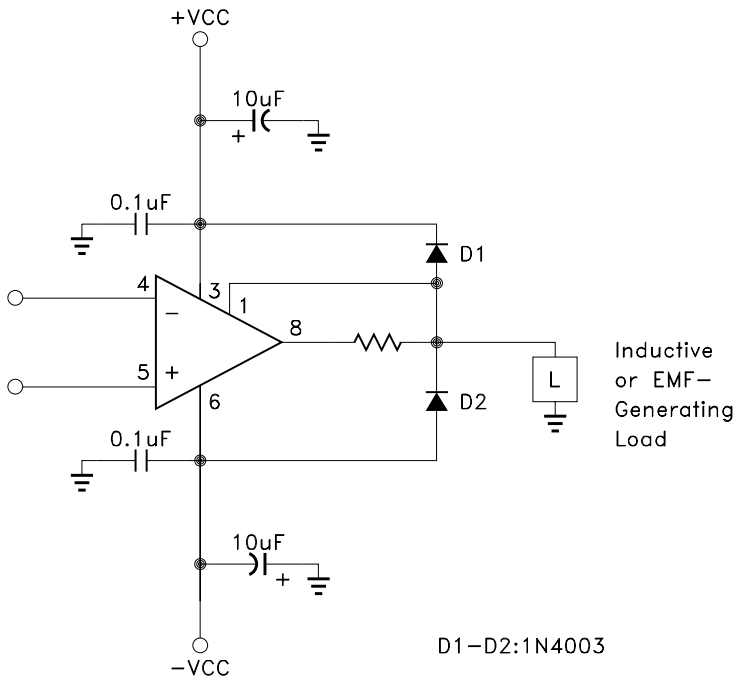
POWER SUPPLY BYPASSING

Both the negative and the positive power supplies must be effectively decoupled with a high and low frequency bypass circuit to avoid power supply induced oscillation. An effective decoupling scheme consists of a 0.1 microfarad ceramic capacitor in parallel with a 4.7 microfarad tantalum capacitor from each power supply pin to ground. It is also a good practice with very high power op-amps, such as the MSK 541, to place a 30-50 microfarad nonelectrolytic capacitor with a low effective series resistance in parallel with the other two power supply decoupling capacitors. This capacitor will eliminate any peak output voltage clipping which may occur due to poor power supply load regulation. All power supply decoupling capacitors should be placed as close to the package power supply pins as possible (pins 3 and 6 for the MSK 541).

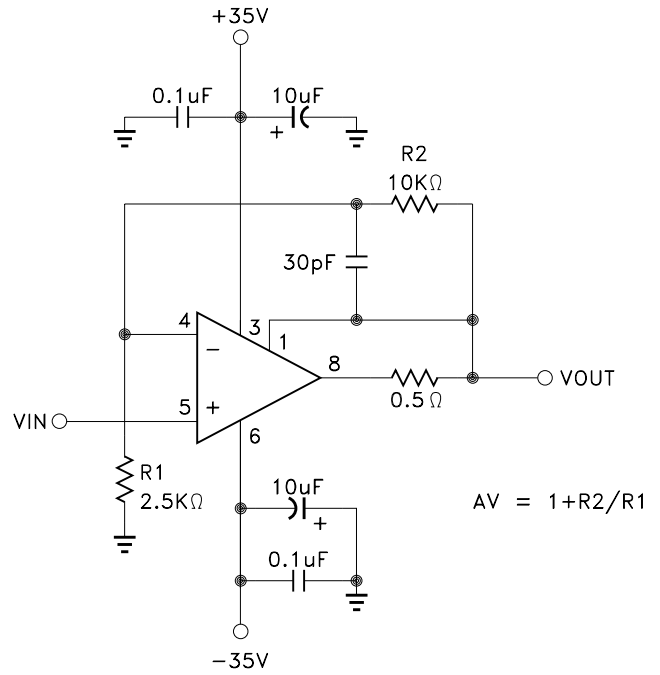
SAFE OPERATING AREA

The safe operating area curve is a graphical representation of the power handling capability of the amplifier under various conditions. The wire bond current carrying capability, transistor junction temperature and secondary breakdown limitations are all incorporated into the safe operating area curves. All applications should be checked against the S.O.A. curves to ensure high M.T.B.F.

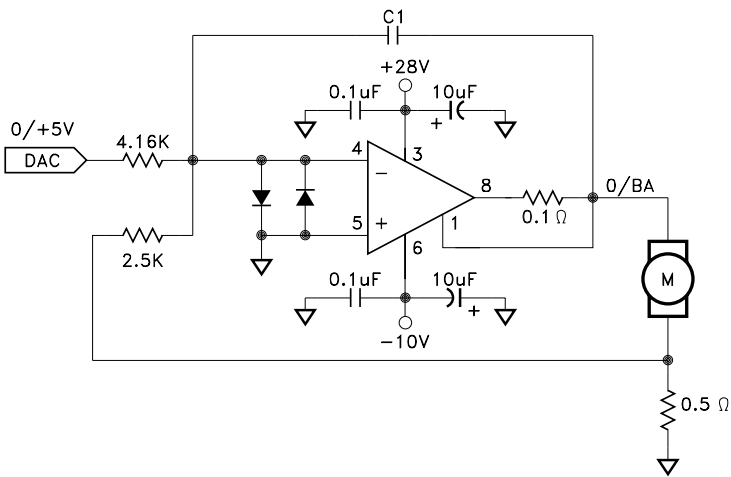
APPLICATION CIRCUITS



Clamping Output for EMF-Generating Loads

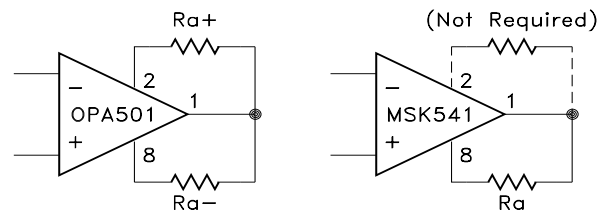


Isolating Capacitive Loads



**Motor Current a Function of V_{IN}
Programmable Torque Circuit**

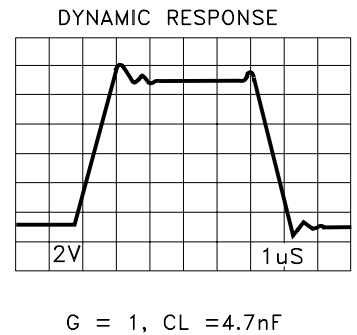
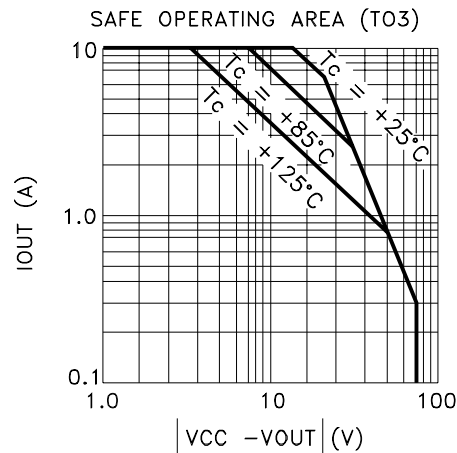
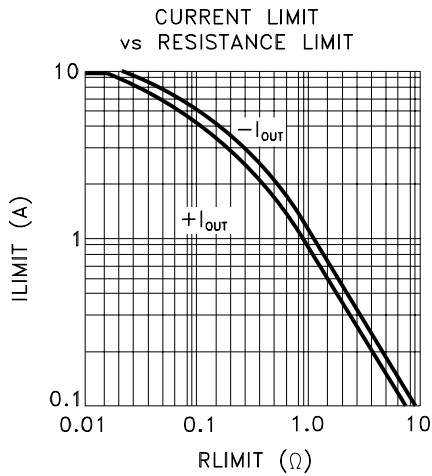
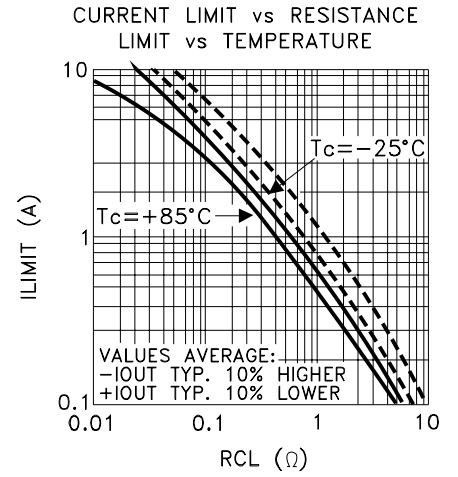
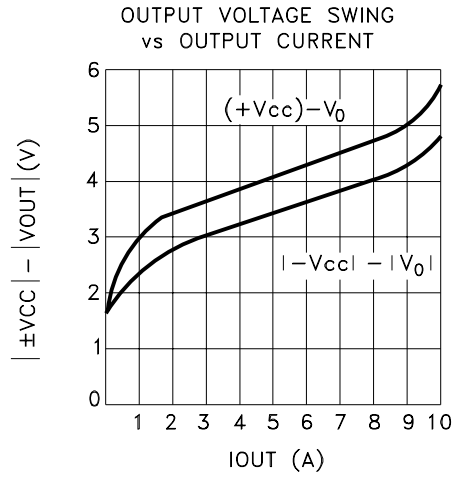
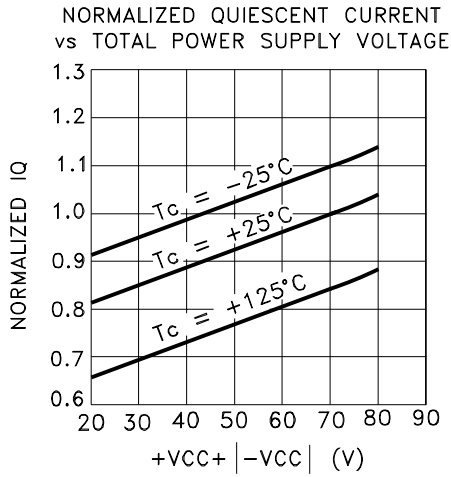
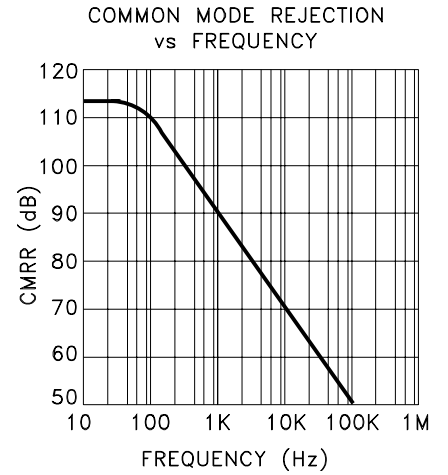
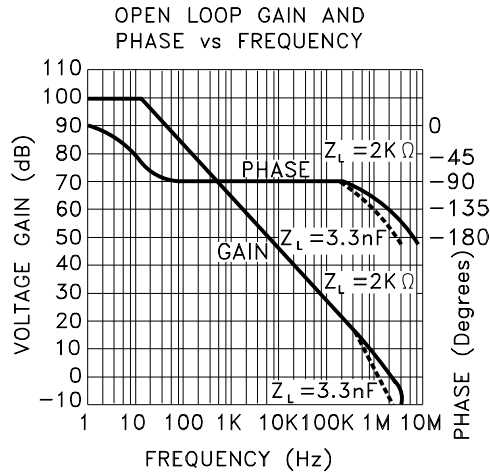
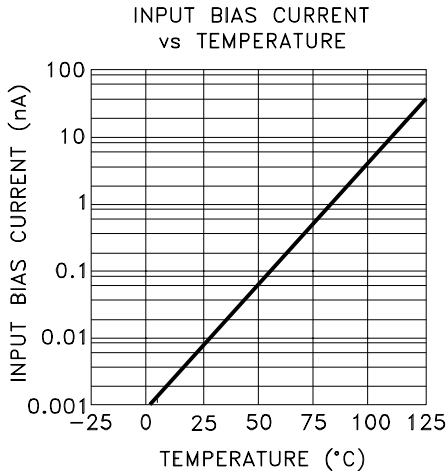
The linear relationship of torque output to current input of the modern torque motor makes this simple control circuit ideal for many material processing and testing applications. The sense resistor develops a feedback voltage proportional to motor current and the small signal properties of the Power Op Amp insure accuracy. With this closed loop operation, temperature induced impedance variations of the motor winding are automatically compensated.



Replacing OPA501 with MSK 541

When replacing the OPA501, OPA511, OPA512 or 3573 with the MSK 541, it is not necessary to make any changes in the current limit scheme. Since pin 2 is not connected in the MSK 541, the current limit resistor connected from pin 1 to pin 2 can be left in the circuit or removed.

TYPICAL PERFORMANCE CURVES



MECHANICAL SPECIFICATIONS

MSK145

Dimensions: 1.375 (width), 0.302 (pin offset), 0.770 (pin pitch), 0.118 (height), 0.275 (height), 0.475 (height), 0.188 (pin offset), 0.200 TYP (pin pitch), (6x)∅0.060 (pin diameter), 0.228 (height), 0.040 (height), 0.500 MIN. (height), 0.140 (height).

POWER SIP PACKAGE

ORDERING INFORMATION

| PART NO. | SCREENING LEVEL |
|---------------|----------------------|
| MSK145 | INDUSTRIAL |
| MSK145E | EXTENDED RELIABILITY |
| MSK145B | MIL-PRF-38534 |
| 5962-8870101Z | DSCC-SMD |
| 5962-8870103Z | DSCC-SMD |

| PIN NO. | FUNCTION |
|---------|---------------|
| 1 | -VCC |
| 2 | OUTPUT DRIVE |
| 3 | CURRENT SENSE |
| 4 | +VCC |
| 5 | +INPUT |
| 6 | -INPUT |

ALL DIMENSIONS ARE ±0.01 INCHES UNLESS OTHERWISE SPECIFIED ESD TRIANGLE INDICATES PIN 1

MSK146

Dimensions: 0.540 (width), 0.120 (height), 0.540 (width), 0.100 (height), 0.300 (height), 0.150 (height), 0.265 MAX. (height), 0.180 MIN. (height), (8x)∅0.030 (pin diameter), 0.900 (width), (8x)R 0.040 MIN. (radius).

POWER DIP PACKAGE

ORDERING INFORMATION

| PART NO. | SCREENING LEVEL |
|---------------|----------------------|
| MSK146 | INDUSTRIAL |
| MSK146E | EXTENDED RELIABILITY |
| MSK146B | MIL-PRF-38534 |
| 5962-8870101Y | DSCC-SMD |
| 5962-8870103Y | DSCC-SMD |

| PIN NO. | FUNCTION |
|---------|---------------|
| 1 | -VCC |
| 2 | N/C |
| 3 | OUTPUT DRIVE |
| 4 | CURRENT SENSE |
| 5 | +VCC |
| 6 | N/C |
| 7 | +INPUT |
| 8 | -INPUT |

MSK147

Dimensions: 0.540 (width), 0.125 (width), (2x)∅0.125 (hole diameter), 0.100 (height), 0.300 (height), 0.790 (height), 1.040 (height), 0.540 (height), 0.125 (height), 0.290 (width), 0.150 (height), 0.265 MAX. (height), 0.180 MIN. (height), (8x)∅0.030 (pin diameter), 0.900 (width), R.040 MIN. (radius), SEATING PLANE.

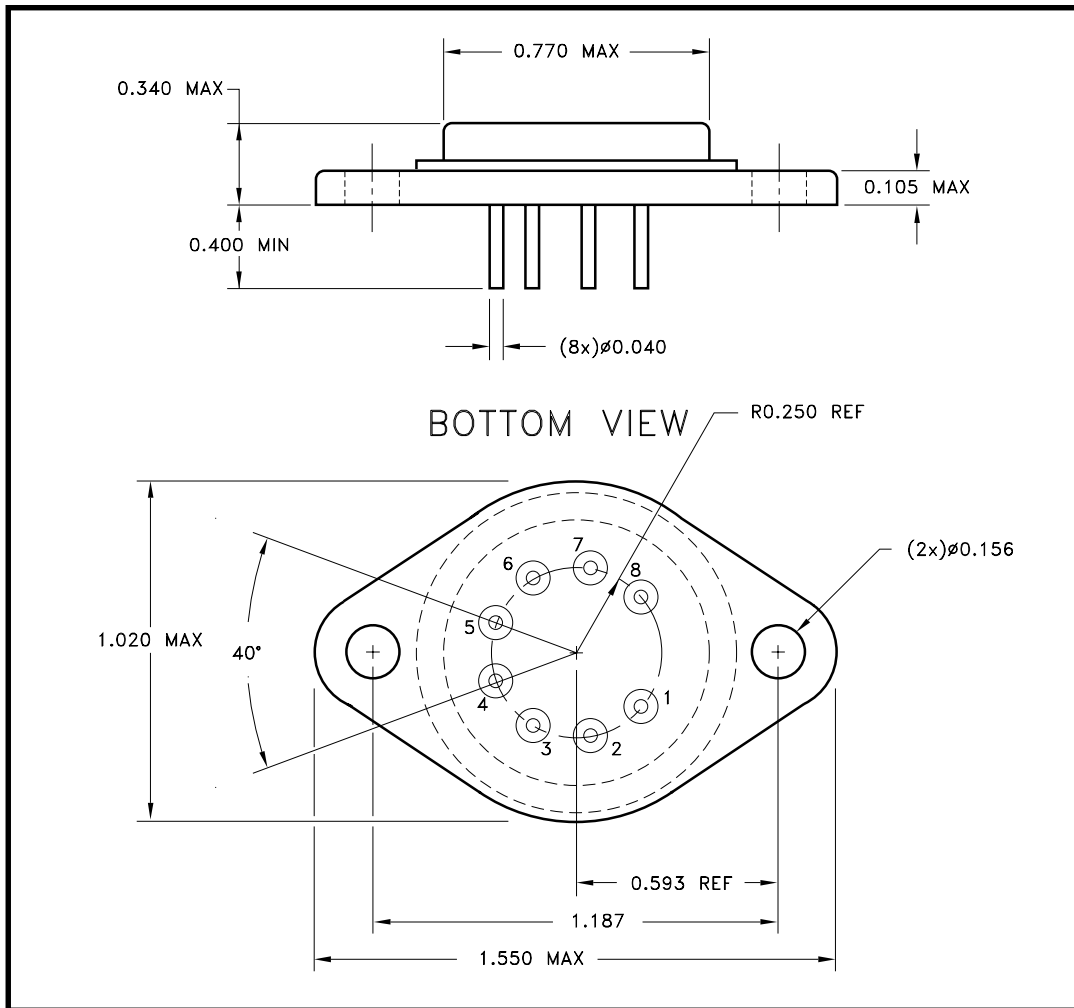
POWER Z-TAB PACKAGE

ORDERING INFORMATION

| PART NO. | SCREENING LEVEL |
|---------------|----------------------|
| MSK147 | INDUSTRIAL |
| MSK147E | EXTENDED RELIABILITY |
| MSK147B | MIL-PRF-38534 |
| 5962-8870101U | DSCC-SMD |
| 5962-8870103U | DSCC-SMD |

| PIN NO. | FUNCTION |
|---------|---------------|
| 1 | -VCC |
| 2 | N/C |
| 3 | OUTPUT DRIVE |
| 4 | CURRENT SENSE |
| 5 | +VCC |
| 6 | N/C |
| 7 | +INPUT |
| 8 | -INPUT |

MECHANICAL SPECIFICATIONS CONTINUED



ALL DIMENSIONS ARE ± 0.010 INCHES UNLESS OTHERWISE SPECIFIED

ORDERING INFORMATION

| Part Number | Screening Level |
|-----------------|------------------------|
| MSK541 | Industrial |
| MSK541E | Extended Reliability |
| MSK541B | MIL-PRF-38534, Class H |
| 5962-887010101X | DSCC-SMD |
| 5962-887010103X | DSCC-SMD |

M.S. Kennedy Corp.
 4707 Dey Road, Liverpool, New York 13088
 Phone (315) 701-6751
 Fax (315) 701-6752
www.mskennedy.com

The information contained herein is believed to be accurate at the time of printing. MSK reserves the right to make changes to its products or specifications without notice, however and assumes no liability for the use of its products. Please visit our website for the most recent revision of this datasheet