

DRAWING MADE IN THIRD ANGLE PROJECTION

THIS DRAWING IS UNPUBLISHED. RELEASED FOR PUBLICATION

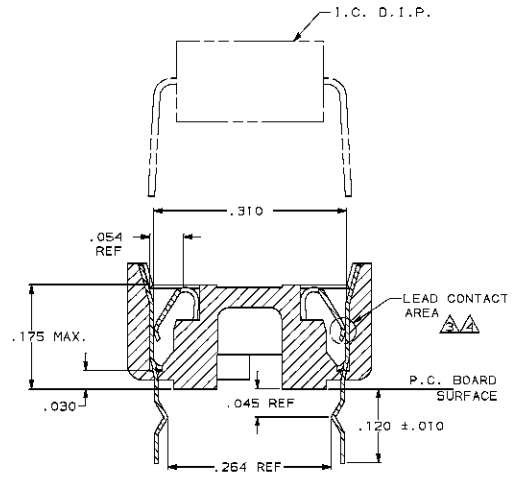
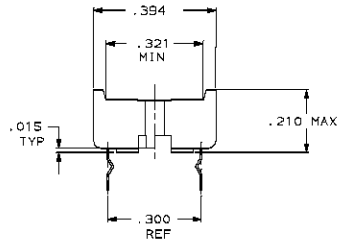
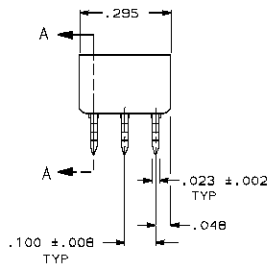
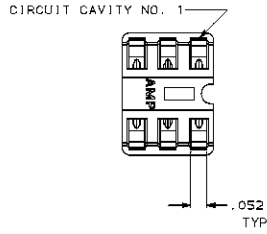
© COPYRIGHT 1964 BY AMP INCORPORATED, HARRISBURG, PA. ALL INTERNATIONAL RIGHTS RESERVED. AMP PRODUCTS MAY BE COVERED BY U.S. AND FOREIGN PATENTS AND/OR PATENTS PENDING.

LOC				REVISEMENTS				
FT	DI	ST	P	ZONE	LTR	DESCRIPTION	DATE	APPD
64						M SUPSD 2-482-S PER AG-2890	10-8-62	PS
						N REV PER EC 0320-138-97	06 MAY 69	GJ

- RECEPTACLE ACCEPTS A .008-.014 THICK I.C. LEAD.
- TUBE LOADED.

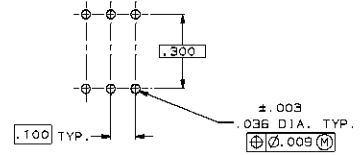
△ TWO .000030 MIN THK. GOLD STRIPES IN CONTACT AREA WITH TIN-LEAD (93/7) ON CONTACT LEGS, BALANCE OF CONTACT NICKEL PLATED.

△ TWO .000015 MIN THK. GOLD STRIPES IN CONTACT AREA WITH TIN-LEAD (93/7) ON CONTACT LEGS, BALANCE OF CONTACT NICKEL PLATED.



SECTION A-A
SCALE 10:1

SUPERSEDED BY 2-641259-3	TINNED	PHOS. BRZ.	.006 THK	GLASS-FILLED THERMOPLASTIC, 94V-0, BLACK	2-641259-5
SUPERSEDED BY 2-641259-2	△ TINNED	PHOS. BRZ.	.006 THK	GLASS-FILLED THERMOPLASTIC, 94V-0, BLACK	2-641259-4
	TINNED	PHOS. BRZ.	.006 THK	GLASS-FILLED THERMOPLASTIC, 94V-0, BLACK	2-641259-3
	△ TINNED	BE. CU.	.006 THK	GLASS-FILLED THERMOPLASTIC, 94V-0, BLACK	2-641259-2
	TINNED	BE. CU.	.006 THK	GLASS-FILLED THERMOPLASTIC, 94V-0, BLACK	2-641259-1
CONTACT FINISH		CONTACT MAT'L		HOUSING MATERIAL	PART NO.



RECOMMENDED MOUNTING HOLE PATTERN
SCALE 4:1

UNLESS OTHERWISE SPECIFIED DIMENSIONS ARE IN INCHES TOLERANCES ON:	DR	M. CYRUS	8-17-67	AMP INCORPORATED Harrisburg, Pa. 17106
	GHC	R. MILLER	8-31-67	
2 PL DEC ± .005	APPD	J. LAMBERT	9-4-67	NAME SOCKET ASSY, DIP, RET LEG, 6 POS, DIPLOMATE™ DL
3 PL DEC ± .005	MATERIAL	SEE TABLE	PRODUCT SPEC 108-1066	
ANGLES ± 0°30'	FINISH	SEE TABLE	APPLICATION SPEC 114-1049	SIZE D
			WEIGHT	FSC# NO 00779
				DRAWING NO 641259
				SCALE 5:1
				SHEET 1 of 1

CUSTOMER DRAWING