

RF Characteristics



Frequency GHz	VSWR (max)	Isolation dB (min)	Ins. Loss dB (max)
DC-4	1.20	70	0.20
4-8	1.30	65	0.30
8-12.4	1.40	60	0.40
12.4-18	1.60	55	0.60

Note: RF power for the terminated port is limited by the termination.

5A1 Latching, Terminated Series, SMA

Specifications

Operating Voltage:

(across temperature range)
 12 Vdc (11-14 Vdc)
 28 Vdc (24-32 Vdc)

Coil Current (max @ nom.Vdc & 20°C):

12 Vdc 550 mA
 28 Vdc 240 mA

Switching Time:

20 mS maximum

Operating Temperature:

-25°C to +65°C (Standard)
 -55°C to +85°C (Extended "T" Option)

Mechanical Life, Cycles:

1,000,000 minimum

Vibration, Operating:

10 G RMS, 20-2000 Hz

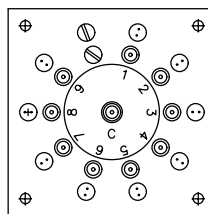
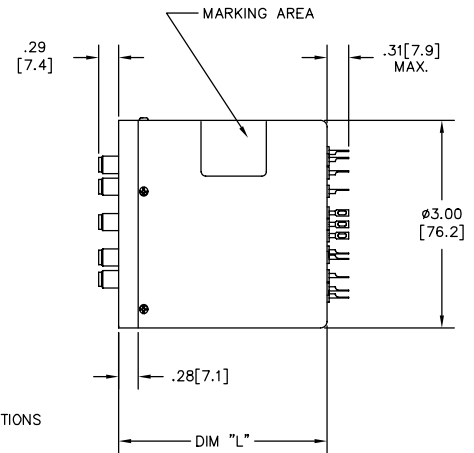
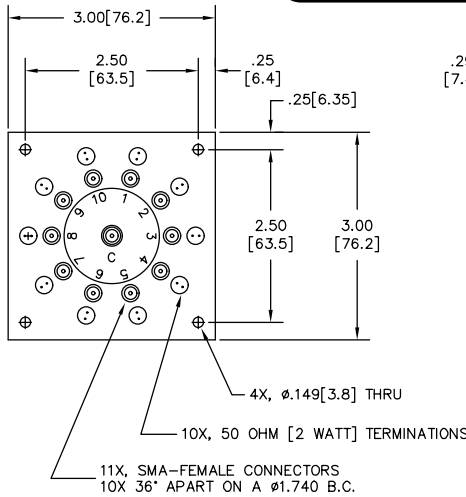
Mechanical Shock, Non-Operating:

50 G, 1/2 Sine, 11 mS

Nominal Weight:

15.3 oz., (434g.)

Mechanical

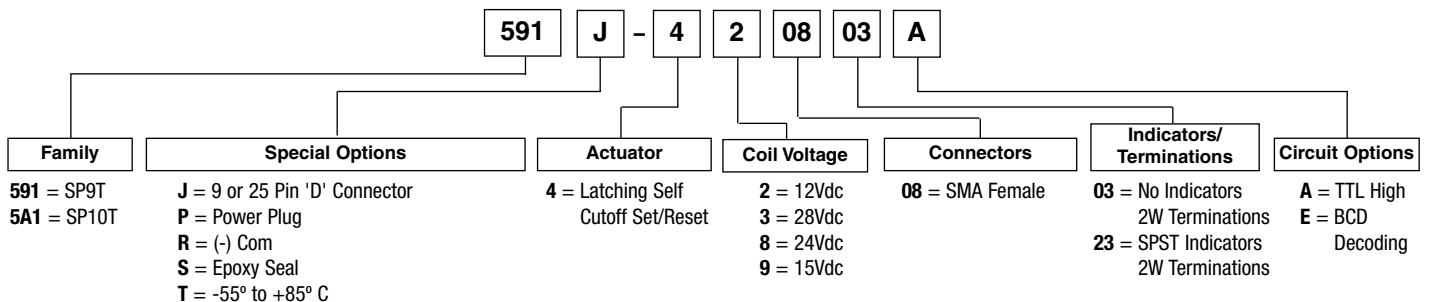


5A1-430823 Shown

DIM "L" (MAX)	MODEL	ELEC. SCHEM.
2.40 [61.0]	5X1-4X0803	3
2.70 [68.6]	5X1-4X0823	3
2.70 [68.6]	5X1-4X0803A	4
3.00 [76.2]	5X1-4X0823A	4

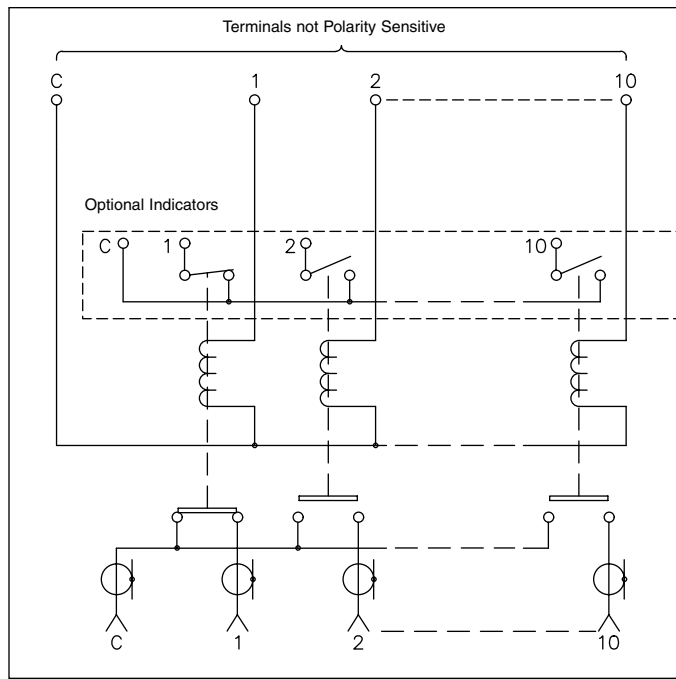
For Electrical Schematic see page # 3-17

Part Number Selection

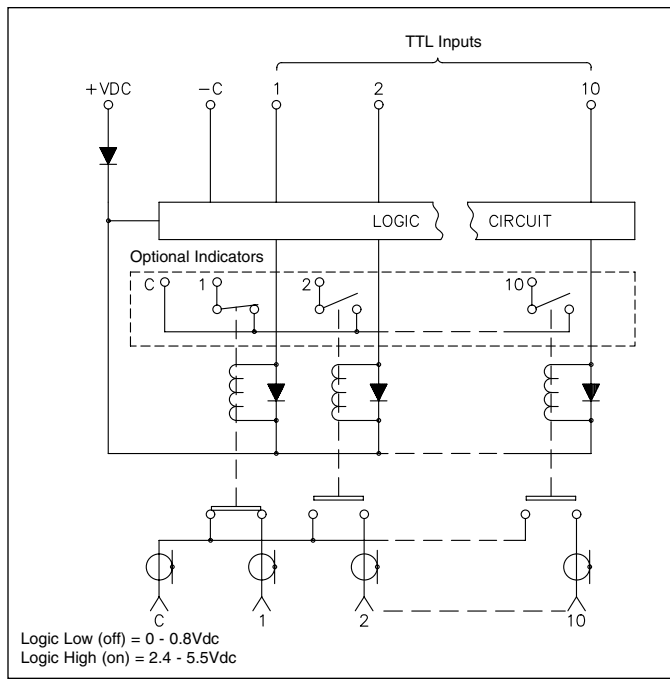




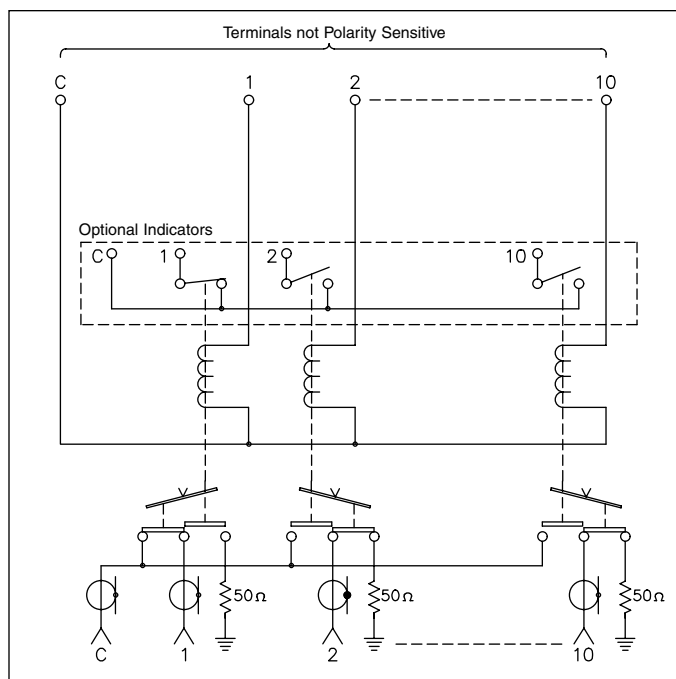
1 Normally Open



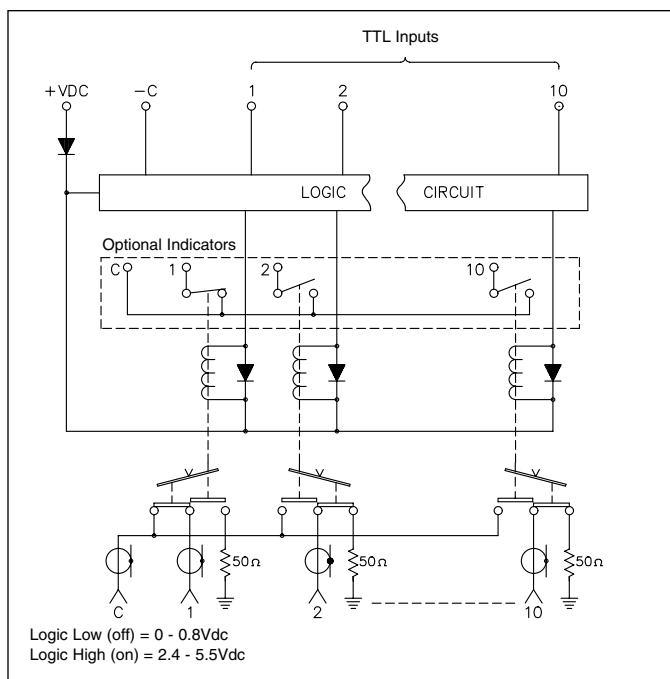
2 Normally Open TTL



3 N.O. Terminated



4 N.O. Terminated TTL



ALL SCHEMATICS SHOWN IN POSITION 1 ENERGIZED.