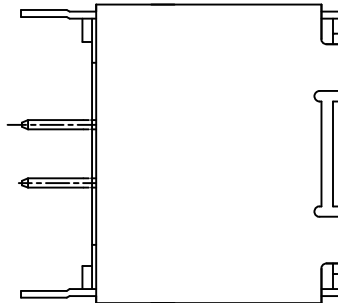
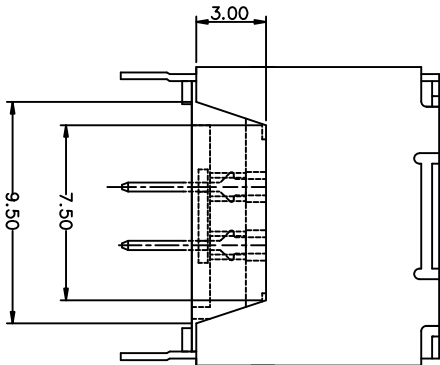




PRODUCT NO.  
61729



TYPE "1" FULL BACK



TYPE "2" PARTIAL BACK

- NOTES:
1. MATERIAL:  
SHIELD & CONTACTS: COPPER ALLOY  
HOUSING: UL 94V-0 THERMOPLASTIC. COLOR: SEE PRODUCT NUMBER CODE.
  2. PLATING: SEE PRODUCT NUMBER CODE.  
SHIELD: BRIGHT TIN  
NICKEL UNDERPLATE.
  3. DATUMS & BASIC DIMENSIONS TO BE DETERMINED BY CUSTOMER
  4. RECOMMENDED BOARD THICKNESS IS 1.57 mm (.062)
  5. PACKING STANDARD GS-14-920 WILL BE APPLIED FOR LEAD FREE P/N'S
  6. FOR LEAD FREE P/N, THE PRODUCT MEET EUROPEAN UNION DIRECTIVES AND OTHER COUNTRY REGULATION AS DESCRIBED IN GS-22-008
  7. FOR LEAD FREE P/N'S, THE HOUSING WILL WITHSTAND EXPOSURE TO 260°C PEAK TEMPERATURE FOR 40 SECONDS IN A CONNECTION, INFRO-RED OR VAPOR PHASE REFLOW OVEN.

mat'l. code	tolerances unless otherwise specified	CUSTOMER COPY	title	product family	code
pl	.0 ±0.20	projection	FCI	USB RECEPTACLE B TYPE	
p	.00 ±0.10	MM/INCH	www.fciconnect.com		
	.000±0.05	5 : 1		61729	
	± .2°				
	dr	SHIRLEY HSU 03/03/97			
	engr	R Y LIU 03/03/97			
	chr	R Y LIU 03/03/97			
	dppd	JENN TSAO 03/03/97			
sheet	revision				sheet
index	sheet				2 of 2