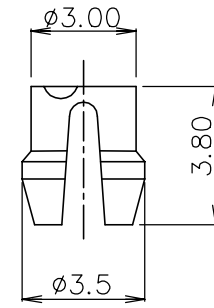
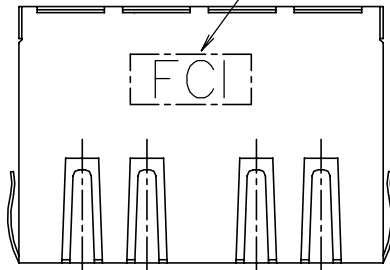


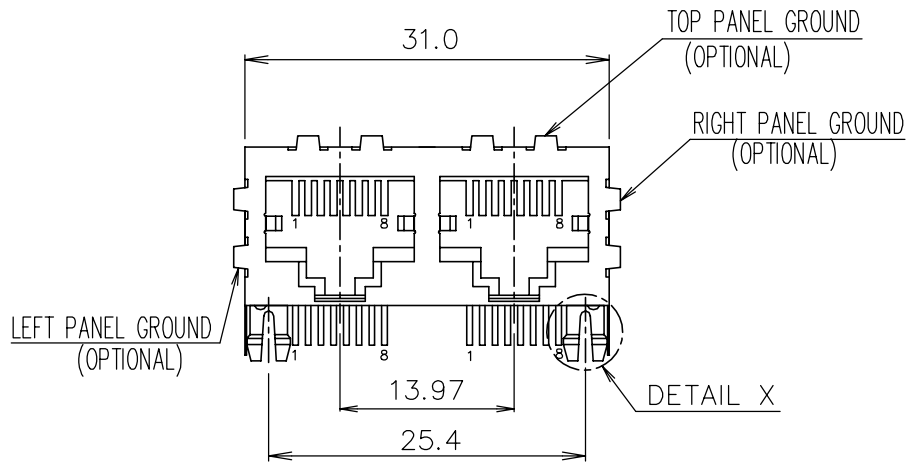
mat'l. code		surface ASME Y14.5 ✓		tolerance ASME Y14.5		projection ⊕		product family GANGED MJACK	
ltr		ecn no		dr		date		title	
A		WL		11/04/11		11/04/11		CAT 3 MULTI-PORTS TAB DOWN 1x2 WITH SHIELD, W/O LED	
				angles		X.X±0.25		MM [INCH]	
				X°±1'		X.XXX±0.13		scale	
				dr		WENDY CHEN 05/03/11		dwg no	
				enr		WENDY CHEN 05/03/11		sheet 1 of 4	
				chr		WENDY CHEN 05/03/11		10118061	
				appd		GARY HSIEH 05/03/11		A4	
sheet index		revision sheet		A		A		A	
		1		2		3		4	
								type	
								CUSTOMER Drawing	



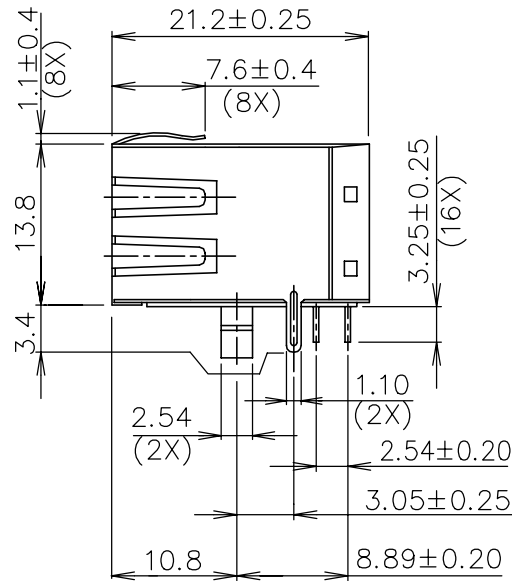
LOGO(SEE NOTE 3)



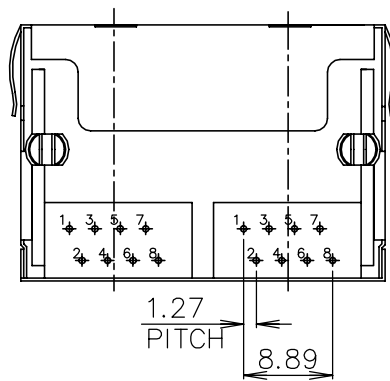
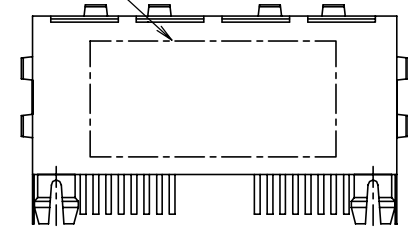
DETAIL X



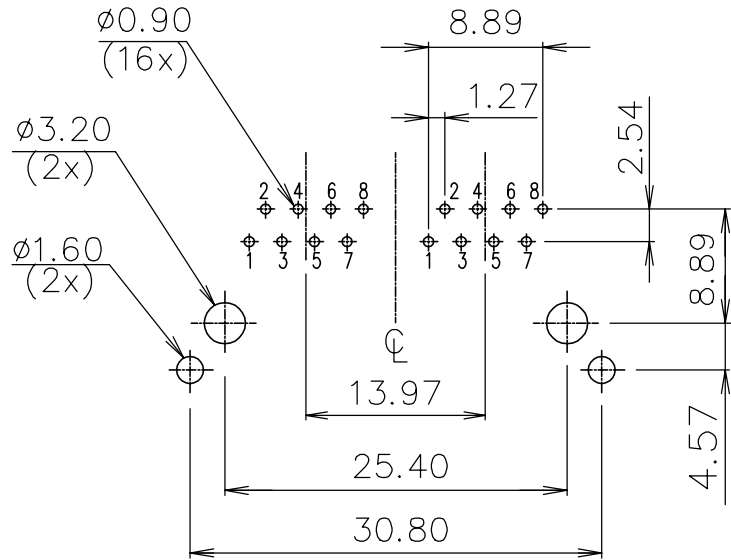
DETAIL X



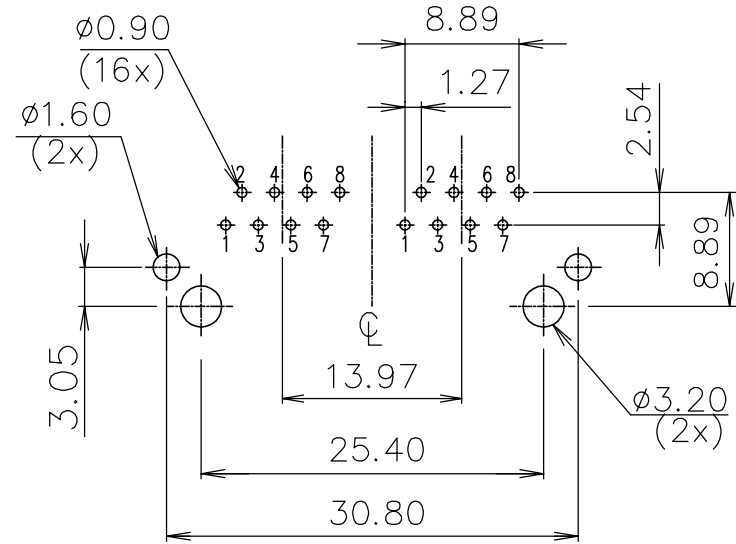
PRINT P/N & DATE CODE (SEE NOTE 4)



mat'l. code		surface ASME Y14.5 ✓	tolerance ASME Y14.5	projection ⊕	product family GANGED MJACK		
ltr	ecn no	dr	date	tolerances unless otherwise specified		title	
A				angles X.X±0.25	MM [INCH]	CAT 3 MULTI-PORTS TAB DOWN 1x2 WITH SHIELD, W/O LED	
				X.XX±0.13			
				X*±1*	X.XXX±0.05	scale	
		dr	WENDY CHEN	05/03/11		dwg no	
		enr	WENDY CHEN	05/03/11		sheet 2 of 4	
		chr	WENDY CHEN	05/03/11		10118061	A4
		appd	GARY HSIEH	05/03/11		type	CUSTOMER Drawing
sheet index	revision sheet						



RECOMMENDED PCB LAYOUT  
 RECOMMENDED PCB THICKNESS: 1.6mm  
 TOLERANCE: ±0.05 (TOP VIEW)



RECOMMENDED PCB LAYOUT  
 RECOMMENDED PCB THICKNESS: 1.6mm  
 TOLERANCE: ±0.05 (TOP VIEW)

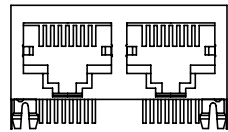
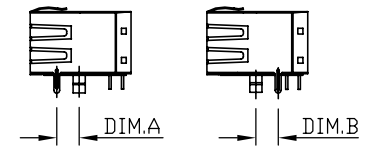
mat'l. code		surface ASME Y14.5 ✓		tolerance ASME Y14.5		projection 		product family GANGED MJACK			
ltr	ecn no	dr	date	tolerances unless otherwise specified							
A				angles	$X.X \pm 0.25$	$X.XX \pm 0.13$	$X.XXX \pm 0.05$	title CAT 3 MULTI-PORTS TAB DOWN 1x2 WITH SHIELD, W/O LED			
				$X^\circ \pm 1'$				scale			
				dr	WENDY CHEN	05/03/11			dwg no	sheet 3 of 4	size
				enr	WENDY CHEN	05/03/11			10118061	A4	
				chr	WENDY CHEN	05/03/11					
				appd	GARY HSIEH	05/03/11					
sheet index	revision sheet								type	CUSTOMER Drawing	

NOTE:

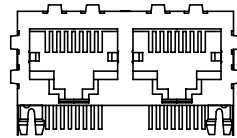
1. MATERIAL:  
HOUSING: HIGH TEMPERATURE THERMOPLASTIC, UL94V-0  
COLOR: BLACK.  
CONTACTS: COPPER ALLOY.  
SHIELD: COPPER ALLOY.
2. FINISH:  
CONTACTS: 50u" MIN. NICKEL UNDER PLATED OVER ALL.  
SELECTIVE GOLD PLATED ON CONTACT AREA,  
1u" GOLD PLATED ON SOLDER TAIL.  
SHIELD: 20u" MIN. NICKEL OVER ALL.
3. LASER MARK FCI LOGO ON THE TOP OF SHIELD.
4. "DATE CODE" DESCRIPTION:  
XX XX  
WEEK  
YEAR (EX. : 10--2010)
5. PRODUCT PERFORMANCE PER SPEC. : GS-12-0990.
6. PACKING SPEC. : GS-14-2170.
7. THIS PRODUCT MEETS THE EUROPEAN UNION DIRECTIVE AS DESCRIBED IN GS-22-008.
8. THE HOUSING WILL WITHSTAND EXPOSURE TO 260°C PEAK TEMPERATURE FOR 5 SECONDS IN A WAVE SOLDER APPLICATION WITH A CIRCUIT BOARD.

9. PART NUMBER DESCRIPTION:

- 10118061-X X X X X X X LF
- LEAD FREE
  - 0 : RESERVED (NOT USED)
  - PACKAGING  
1 : TRAY
  - OPTIONAL BACK SHIELD TAB  
0 : WITHOUT BACK SHIELD TAB
  - OPTIONAL RIGHT / LEFT SHIELD TAB  
1 : DIM.A=4.57  
5 : DIM.B=3.05
  - OPTIONAL PANEL GROUND  
0 : WITHOUT PANEL GROUND  
3 : TOP/RIGHT/LEFT 3 SIDES WITH PANEL GROUND
  - LED COLOR  
0 : WITHOUT LED
  - CONTACT AREA PLATING  
1 : 15u" GOLD PLATING  
2 : 30u" GOLD PLATING  
5 : 1u" GOLD FLASH PLATING



10118061-XX0XXXXLF  
(WITHOUT PANEL GROUND)



10118061-XX3XXXXLF  
(3 SIDES PANEL GROUND)

mat'l. code		surface ASME Y14.5		tolerance ASME Y14.5		projection MM [INCH]		product family GANGED MJACK			
ltr		ecn no		dr		date		title CAT 3 MULTI-PORTS TAB DOWN 1x2 WITH SHIELD, W/O LED			
A								scale			
				angles		X.X±0.25		sheet 4 of 4			
				X°±1°		X.XX±0.13		size A4			
				X.XXX±0.05		dr		10118061			
				dr		WENDY CHEN		type CUSTOMER Drawing			
				enr		WENDY CHEN					
				chr		WENDY CHEN					
				appd		GARY HSIEH					
sheet index		revision sheet									