

Ceramic Trimmer Capacitors

Series: **L**

Ceramic Trimmer Capacitors, "Series L" are miniature and thin type trimmer capacitors, being encased in a square plastic case. Taped types are available for automated machines.

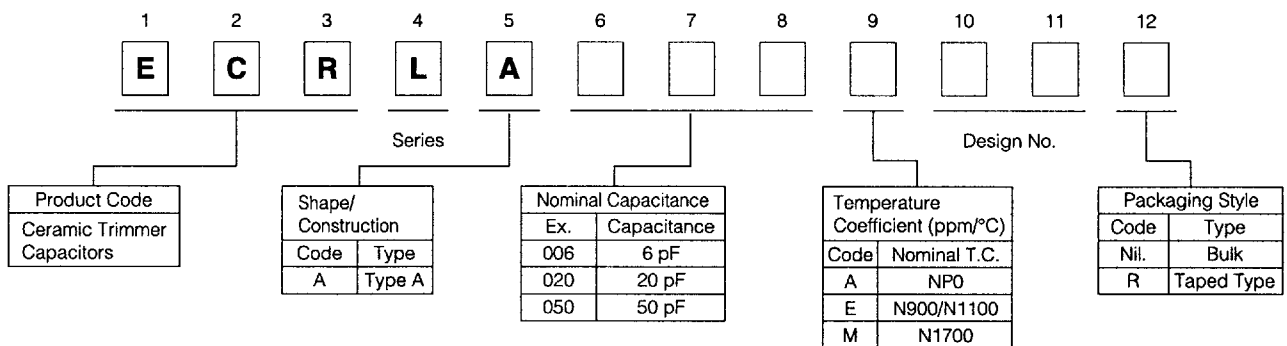
■ Features

- Miniature and thin type: 4.0 × 4.5 × 2.7 mm
- Wide range of nominal capacitance 3 to 50 pF
- Radial taped type is available for automatic insertion machine
- Easy reading of the nominal capacitance by colored case

■ Recommended Applications

- TV and VTR
- Audio equipment
- Electronic equipment

■ Explanation of Part Numbers



■ Ratings and Characteristics

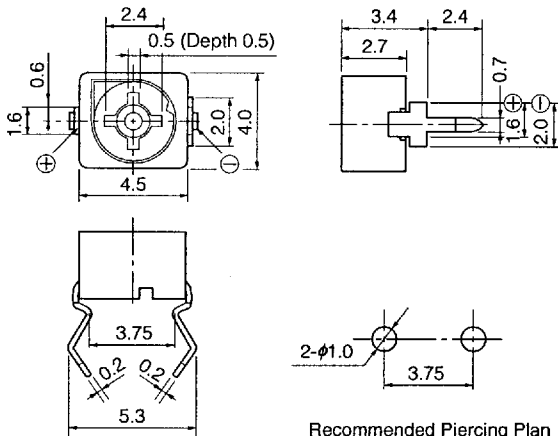
Item	Ratings
Rated Voltage	100 VDC
Dielectric Withstanding Voltage	220 VDC
Insulation Resistance (at C max.)	10 ⁴ MΩ min. at 100 VDC and 1 minute electrification
Rotation Torque	1.47 to 9.81 mN · m (15 to 100 gf · cm)
Operating Temperature Range	- 25 to +85 °C

Part Number			Capacitance (pF)		Temperature Coefficient (ppm/°C)	Q (at 1 MHz, C max.)	Color Marking
Type A	Type D	Type E	max.	min.			
ECRLA003A12	ECRLA003A52	ECRLA003A53R	3 ⁺⁵⁰ / ₀ %	1.7 max.	NP0±200	300 min.	White
ECRLA006A12	ECRLA006A52	ECRLA006A53R	6 ⁺⁵⁰ / ₀ %	2.5 max.	NP0±200	500 min.	Blue
ECRLA010A12	ECRLA010A52	ECRLA010A53R	10 ⁺⁵⁰ / ₀ %	3.5 max.	NP0±300		White
ECRLA020E12	ECRLA020E52	ECRLA020E53R	20 ⁺⁵⁰ / ₀ %	5.5 max.	N900±350		Red
ECRLA030E12	ECRLA030E52	ECRLA030E53R	30 ⁺⁵⁰ / ₀ %	7.5 max.	N1100±450	300 min.	Green
ECRLA050M12	ECRLA050M52	ECRLA050M53R	50 ⁺⁵⁰ / ₀ %	15.0 max.	N1700±600	200 min.	Orange

■ Dimensions in mm (not to scale)

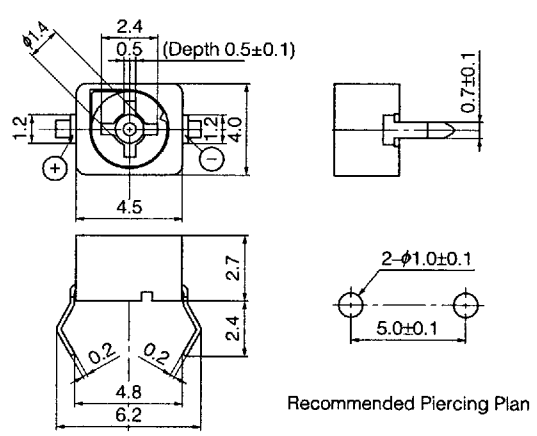
Type A

ECRLA□□□□12



Type D

ECRLA□□□□52

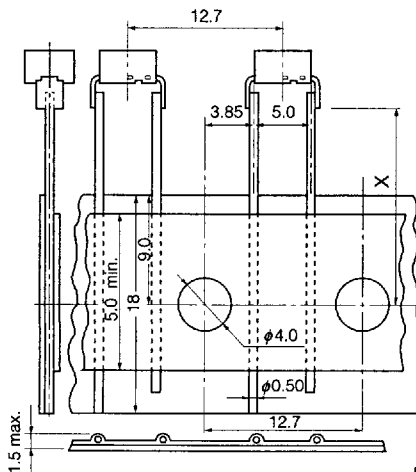


Type E (Radial Taping)

ECRLA□□□□53R

ECRLA□□□□54R

Radial Taping



Part Number	Dim. (mm) "X"
ECRLA□□□□53R	16.5
ECRLA□□□□54R	18.5

■ Typical Characteristics

