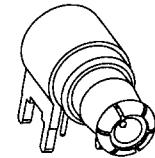
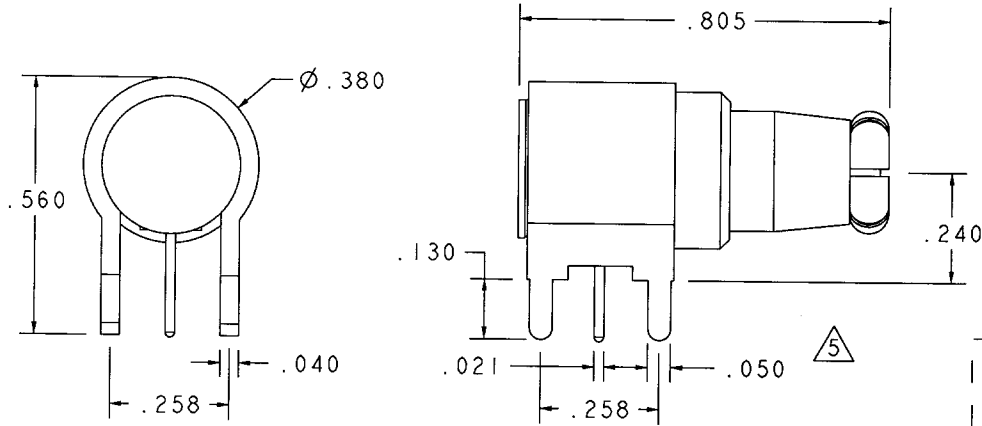


RED INDICATES ORIGINAL

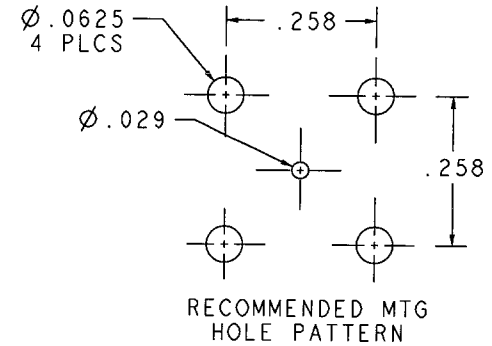
INCH	MM
.021	0.53
.029	0.74
.040	1.02
.050	1.27
.0625	1.59
.125	3.18
.130	3.30
.240	6.10
.258	6.55
.380	9.65
.560	14.22
.805	20.45

DATA CONTAINED IN THIS DOCUMENT IS PROPRIETARY TO TROMPETER ELECTRONICS INC. AND SHALL NOT BE DISCLOSED, COPIED OR USED FOR PROCUREMENT OR MANUFACTURE WITHOUT EXPRESS WRITTEN PERMISSION

REVISIONS				105-1837	SH 1
REV	ECO NO.	DESCRIPTION	DWN	APPROVED	DATE
A		PRODUCTION RELEASE; MADE FROM PROTOTYPE P/N: JL72497A	JL		



SCALE 2/1



5 PRE-TINED, WITH SN63 OR EQUIV SOLDER, PER QQ-S-571

4. MAX PANEL THICKNESS .125
3. FINISH: TFS-IM (SILVER)
2. 50Ω MINIATURE TPS RIGHT ANGLE CIRCUIT BOARD MOUNTING PLUG
1. ALL DIM ARE IN INCHES

QTY	DESCRIPTION		PART NUMBER		ITEM	
	TOL UNLESS SPECIFIED		TROMPETER ELECTRONICS, INC. ®		50Ω, 90° PCB MOUNTING PLUG	
	.XX ± .XXX ± .005 .XXXX ± ANGLE ±					
DWG	JL	9-22-97	MATERIAL	CODE IDENT	DRAWING NO.	REV
CHK	WM	9-22-97		14949	105-1837	A
ENGR	<i>[Signature]</i>					
NEXT ASSY			APPR	9-23-97	SCALE 4/1	DATE 9/24/97