

# COAX "N" CONNECTORS, 90 SERIES COAX "F" CONNECTORS 130 SERIES

Trompeter's "N" Connector Series is utilized for interconnection on antenna towers, lightning protection boxes, power distribution and ancillary systems. Trompeter offers a complete line of remarkable new 50Ω "N" connectors for current industry standard flexible and corrugated cables.

**"N" TYPE BULKHEAD JACK**  
Panel Thk: .250 MAX

50Ω **BJ92**

**RIGHT ANGLE CIRCUIT BOARD JACK**  
TYPE "N" COAXIAL BULKHEAD  
MOUNT RECEPTACLE  
DD4.310

50Ω **CBBJR99**

**F ADAPTER**

**AD131**

**BETWEEN SERIES COAXIAL FEMALE**  
BNC TO MALE "F" ADAPTER

75Ω **AD1300**

**F JACK**

**AD1300**  
75 OHM COAXIAL FEMALE BNC  
TO MALE "F" ADAPTER

**BNC PLUG**

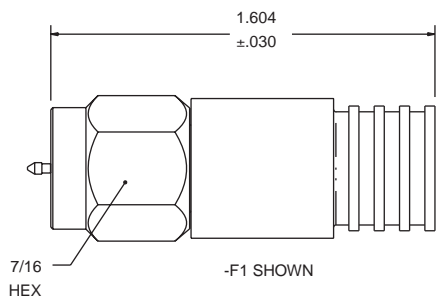
**AD1300**  
BNC TO "F" ADAPTER

The connector solution for CATV appliances! Whether you are dealing with a set-top box or a cable modem, convert your problem F connector jack to a BNC at the jack or socket and enable Carrier Class performance. Face it, the single largest technical problem with the HFC delivery network used by cable TV service providers is the F connector. The F was selected back when CATV was a one way residential only entertainment delivery system for television.

What better way to bring your system performance up to Carrier Class than to convert from the F connector to the Telco standard connector, the Trompeter BNC series? Now it's simply using the Trompeter AD1300 between series adapter (drawing above), which converts your F jack into a BNC jack at the device.

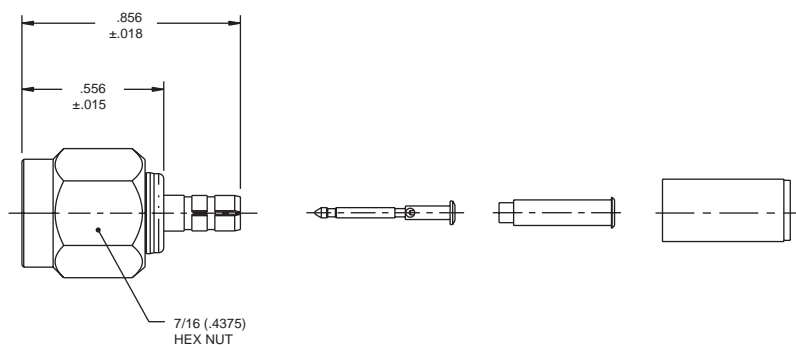
Cable group table, See pages 91-133.

# COAX "F" CONNECTORS 130 SERIES

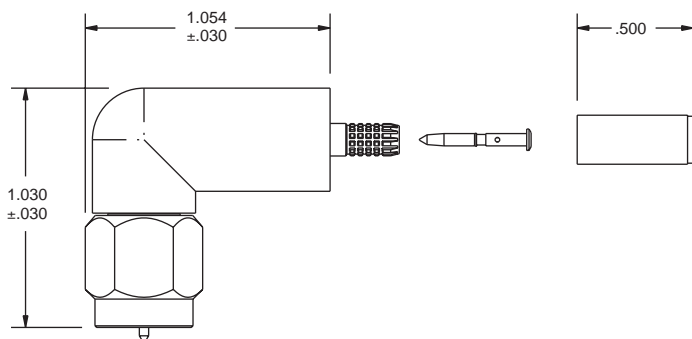


PART NO	A DIM	CABLES ACCOMMODATED
PL130C-F1	.360	COMMSCOPE 6 SERIES QUAD (P/N 5740) (P/N F6SSVV)
PL130C-F2	.324	BELDEN 6 SERIES (P/N 82120) (P/N 9114)
PL130C-F3	.360	COMMSCOPE 59 SERIES (P/N S 59 HEC)

**75 OHM MALE TYPE "F" COAXIAL CABLE PLUG** (Patent #5860833) **PL130C-**(see dash number from chart on right)



**75 OHM "F" TYPE TOOL CRIMP PLUG** **PL130SC-**(see dash number from chart on right)

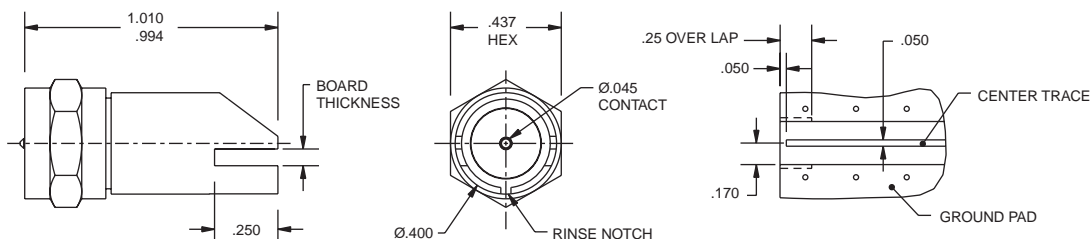


**75 OHM RIGHT ANGLE "F" STYLE FULL CRIMP CABLE PLUG** **PLR130SC-**(see dash number from chart on right)

DASH NO	CABLES ACCOMMODATED	A HEX
-001	RG-178, -196	.178
-002	HEWLETT PACKARD 8120 - 1107	.197
-003	RG-174, 316	.178
-004	RG-179, 187	.178
-005	NORTHERN ELECTRIC DBL - SHLD RG-187	.197
-006	GC875GPI, GRUMMAN DBL - SHLD RG-188	.197
-007	275-3991, MICRODOT	.178
-008	RG-195, -180 421-111, ESSEX	.178
-009	8218, BELDEN YR23023 BELDEN 21-597, ESSEX	.178
-011	RG-58, RG-141, RG-303, TCC-50-2	.213
-013	RG-59	.255
-013A	TCC-75-2	.255
-013B	RG-62	.255
-014	8212, BELDEN	.255
-015	730A, LUCENT	.290
-015A	RG-71	.290
-016	724, LUCENT 8281, BELDEN	.324
-017	RG-6	.344
-018	9268, BELDEN	.255
-019	8279, BELDEN	.255
-020	9248, BELDEN	.290
-021	88240, BELDEN	.213
-022	88241, 88269, BELDEN	.255
-023	89108, BELDEN	.255
-024	89120, BELDEN	.290
-025	734A, LUCENT	.255
-026	735A, LUCENT	.178
-027	KS19224L2, LUCENT	.178

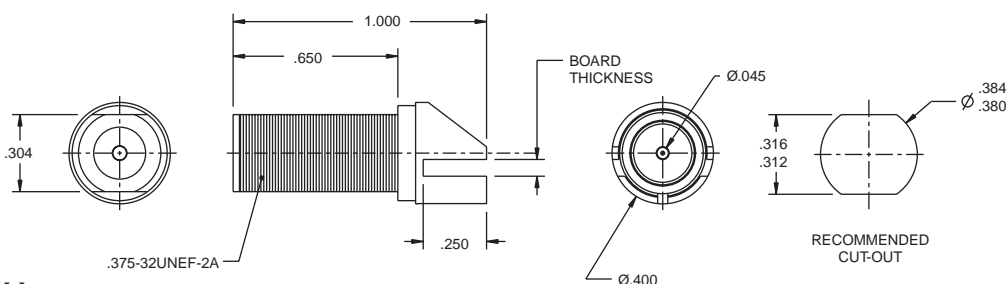
# COAX "F" CONNECTORS 130 SERIES

PART NO	BOARD THICKNESS
CBPLE130-1	.060 - .064
CBPLE130-2	.028 - .033
CBPLE130-3	.090 - .094

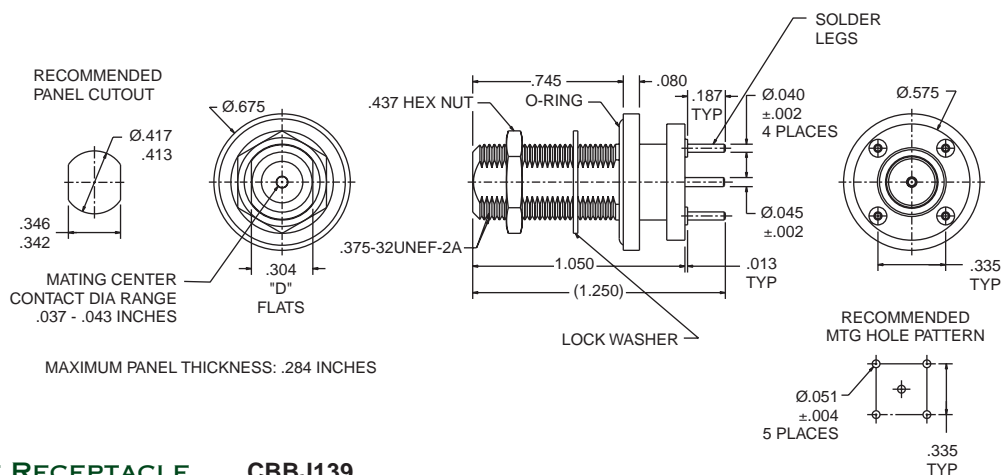


**CIRCUIT BOARD EDGE MOUNT  
"F" STYLE MALE PLUG      CBPLE130-1,-2, or -3**

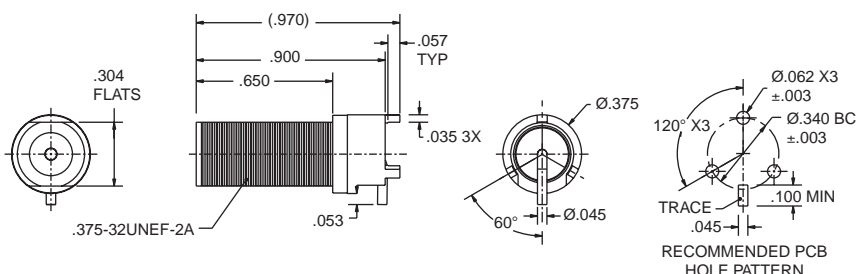
PART NO	BOARD THICKNESS
CBJE130-1	.060 - .064
CBJE130-2	.028 - .033
CBJE130-3	.090 - .094



**CIRCUIT BOARD EDGE MOUNT  
"F" STYLE FEMALE JACK      CBJE130-1, -2, or -3**



**"F" SERIES, BULKHEAD,  
CIRCUIT BOARD MOUNT RECEPTACLE      CBBJ139**



**"F" SERIES 3-POST CIRCUIT  
BOARD MOUNT RECEPTACLE  
WITH SPECIAL RIGHT ANGLE  
CONTACT      105-2137**

MATING CENTER CONTACT RANGE Ø.024 - .042