

SPEED/PACKAGE AVAILABILITY

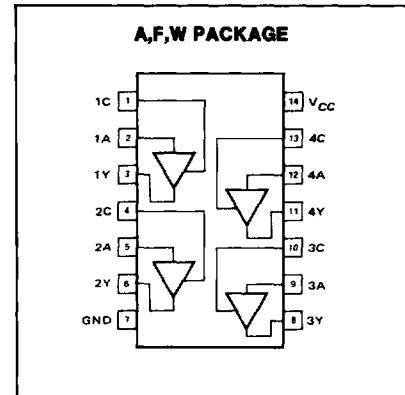
54 F,W 74 A,F

SWITCHING CHARACTERISTICS $V_{CC} = 5V, T_A = 25^\circ C$

TEST CONDITIONS	54/74			UNIT
	MIN	TYP	MAX	
	$C_L = 50pF$ $R_L = 400\Omega$			
Propagation delay time				
t_{PLH} Low-to-high		8	13	ns
t_{PHL} High-to-low		12	18	
Output enable time				
t_{ZH} To high level		11	18	ns
t_{ZL} To low level		16	25	
Output disable time		$C_L = 5pF$		
t_{HZ} From high level		10	16	ns
t_{LZ} From low level		12	18	

Load circuit and typical waveforms are shown at the front of section.

PIN CONFIGURATION



SPEED/PACKAGE AVAILABILITY

54 F,W 74 A,F

SWITCHING CHARACTERISTICS $V_{CC} = 5V, T_A = 25^\circ C$

TEST CONDITIONS	54/74			UNIT
	MIN	TYP	MAX	
	$C_L = 50pF$ $R_L = 133\Omega$			
Propagation delay time				
t_{PLH} Low-to-high		6	9	ns
t_{PHL} High-to-low		8	12	
		$C_L = 150pF$		
t_{PHL} Low-to-high		10	15	ns
t_{PHL} High-to-low		12	18	

Load circuit and typical waveforms are shown at the front of section.

PIN CONFIGURATION

