

SANYO	No. 3853A	LA8632, LA8632M
	Low-voltage, Low-current Compander	

OVERVIEW

The LA8632 and LA8632M are low-voltage, low-current compander ICs for battery-powered, cordless telephone applications.

The LA8632 and LA8632M feature a good signal-to-noise ratio and a high dynamic range at voice-signal frequencies. The output compression is given by $V_o = 0.5 \log V_i$, and the expansion, by the inverse operation.

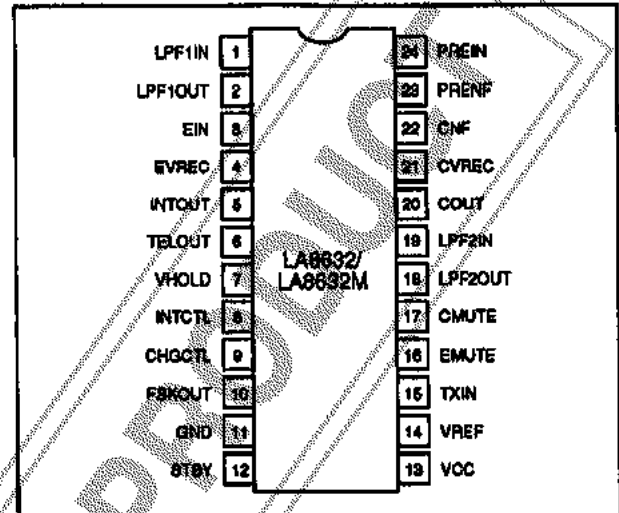
The LA8632 and LA8632M also feature an FSK comparator for receiving FSK-modulated digital data, a microphone amplifier, selectable intercom or telephone operation expander outputs, and an output mute control.

The LA8632 and LA8632M operate from a 2.4 to 6.0 V supply and are available in 24-pin DIPs and 24-pin MFPs.

FEATURES

- Low-voltage operation and low-power consumption
- On-chip frequency-shifted keyed (FSK) comparator
- On-chip microphone amplifier with audio limiter and mute option
- Expander output analog switch for telephone or intercom operation
- Low-power, standby mode
- 2.4 to 6.0 V supply
- 24-pin DIP and 24-pin MFP

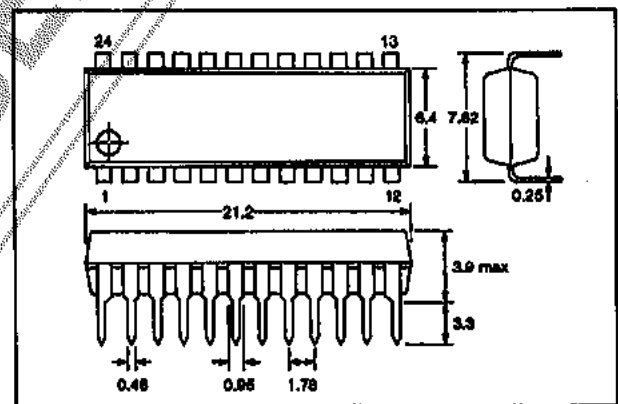
PINOUT



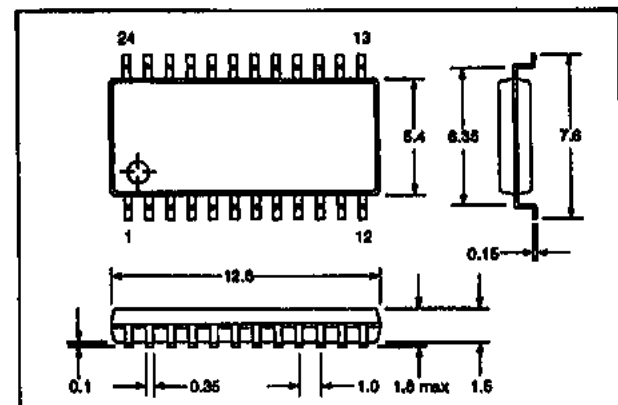
PACKAGE DIMENSIONS

Unit: mm

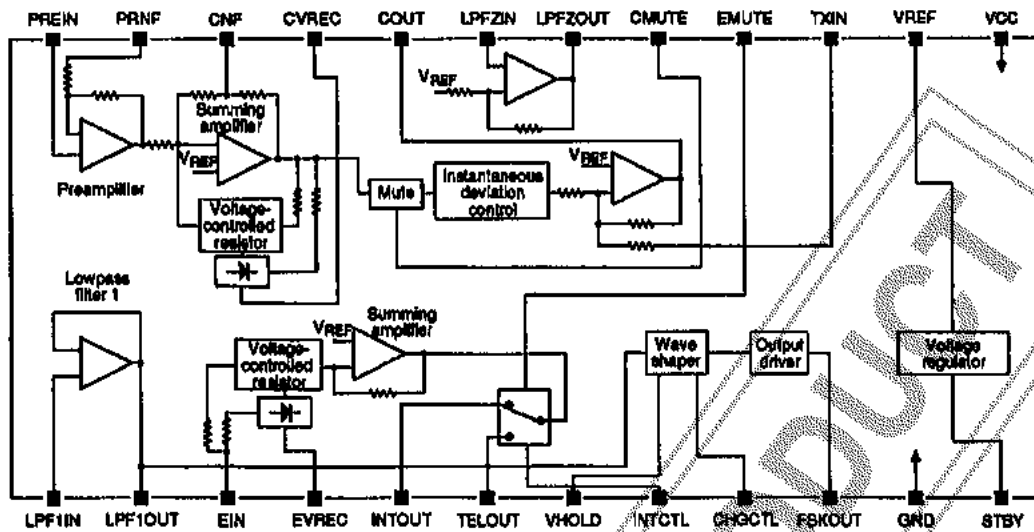
3067-DIP24S (LA8632)



3112-MFP24S (LA8632M)



BLOCK DIAGRAM

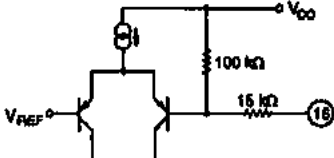
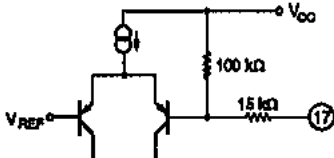
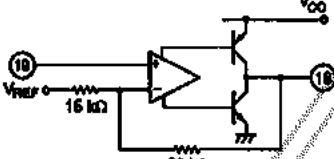
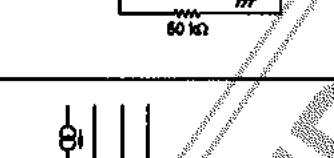
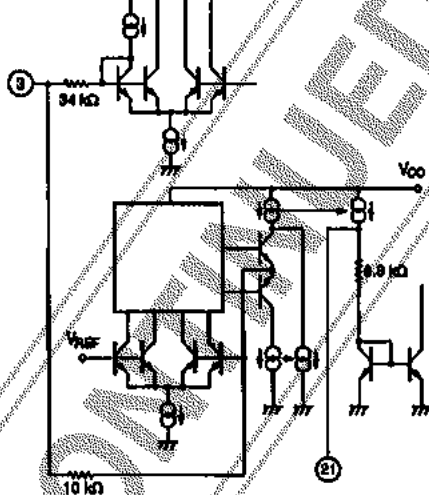
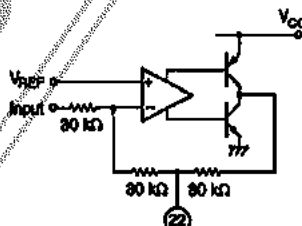


PIN DESCRIPTION

Number	Name	Equivalent circuit	Description
1	LPF1IN		Lowpass filter 1 buffer amplifier (class A) input. Nominal voltage is 1.2 V.
2	LPF1OUT		Lowpass filter 1 buffer amplifier (class A) output. Nominal voltage is 1.2 V.
3	EIN		Expander voltage-to-current converter input. Nominal voltage is 1.5 V.
4	EVREC		Expander full-wave rectifier
5	INTOUT		Expander intercom op-amp (class AB) output. Nominal voltage is 1.5 V.

LA8632, LA8632M

Number	Name	Equivalent circuit	Description
6	TELOUT		Expander telephone op-amp (class AB) output. Nominal voltage is 1.6 V.
7	VHOLD		Voltage hold capacitor connection. Nominal voltage is 1.2 V.
9	CHGCTL		Charge control input. Nominal voltage is V_{CC} .
10	FSKOUT		Frequency-shifted keyed comparator, open-collector output
8	INTCTL		Intercom control input. Nominal voltage is 3 V.
11	GND		Ground
12	STBY		Standby control input. Nominal voltage is 1.5 V.
14	VREF		Reference voltage amplifier (class B) capacitor connection. Nominal voltage is 1.5 V.
13	VCC		Voltage supply
15	TXIN		Transmit data input. Nominal voltage is 1.6 V.
20	COU		Componder amplifier (class AB) output. Nominal voltage is 1.5 V.

Number	Name	Equivalent circuit	Description
16	EMUTE		Expander mute control input. Nominal voltage is 3 V.
17	CMUTE		Compressor mute control input. Nominal voltage is 3 V.
18	LPP2OUT		Lowpass filter 2 buffer amplifier (class AB) output. Nominal voltage is 1.5 V.
19	LPP2IN		Lowpass filter 2 buffer amplifier (class AB) input. Nominal voltage is 1.5 V.
21	CVREC		Compressor full-wave rectifier capacitor
22	CNF		Compressor negative feedback capacitor connection. Nominal voltage is 1.5 V.

Number	Name	Equivalent circuit	Description
23	PRENF		Compressor preamplifier negative feedback network connection. Nominal voltage is 1.5 V.
24	PREIN		Compressor preamplifier input. Nominal voltage is 1.5 V.

SPECIFICATIONS

Absolute Maximum Ratings

Parameter	Symbol	Rating	Unit
Supply voltage	V_{CC}	8	V
Power dissipation	P_D	300	mW
Operating temperature range	T_{op}	-20 to 75	°C
Storage temperature range	T_{stg}	-40 to 125	°C

Recommended Operating Conditions

$T_a = 25\text{ °C}$

Parameter	Symbol	Rating	Unit
Supply voltage	V_{CC}	3	V
Supply voltage range	V_{CC}	2.4 to 6.0	V

Electrical Characteristics

Supply current

$V_{CC} = 3\text{ V}$, $T_a = 25\text{ °C}$, $V_{BI} = 1.2\text{ V}$, $f = 1\text{ kHz}$

Parameter	Symbol	Condition	Rating			Unit
			min	typ	max	
Quiescent supply current	I_{CC1}		2.6	3.4	5.0	mA
Standby supply current	I_{CC2}	No signal. CHGCTL is HIGH. STBY is LOW.	300	500	700	μA

Compressor

$V_{CC} = 3\text{ V}$, $T_a = 25\text{ °C}$, $V_{BI} = 1.2\text{ V}$, $f = 1\text{ kHz}$, $0\text{ dB} = 10\text{ mV}$, $A_{PV} = 20\text{ dB}$, $R_L = 10\text{ k}\Omega$

Parameter	Symbol	Condition	Rating			Unit
			min	typ	max	
Input impedance	R_i		-	60	-	kΩ
COOUT rms output voltage	V_O	$V_I = 0\text{ dB}$	210	265	335	mV
Gain error	A_{er}	$V_I = -20\text{ dB}$	-0.5	0.0	0.5	dB
		$V_I = -40\text{ dB}$	-1.0	0.0	1.0	
Total harmonic distortion	THD	$V_I = 0\text{ dB}$	-	0.25	1.00	%

Parameter	Symbol	Condition	Rating			Unit
			min	typ	max	
COOUT rms output noise voltage	V_{NO}	$R_L = 620 \Omega$, $f = 20 \text{ Hz to } 20 \text{ kHz}$	-	1.5	3.0	mV
Limiting voltage	V_L		1.25	1.40	1.55	V_{PP}
Maximum preamplifier voltage gain	A_{PV}		-	20	-	dB
Data voltage gain	A_{DV}		-2	0	2	dB
Mute attenuation	α	$V_I = 0 \text{ dB}$. CMUTE is HIGH.	-60	-75	-	dB
Crosstalk	CT	Expander rms input voltage = 100 mV	-25	-34	-	dB

Expander

$V_{CC} = 3 \text{ V}$, $T_a = 25 \text{ }^\circ\text{C}$, $V_{BI} = 1.2 \text{ V}$, $f = 1 \text{ kHz}$, $0 \text{ dB} = 100 \text{ mV}$, LPF1 gain = 0 dB, $R_L = 10 \text{ k}\Omega$

Parameter	Symbol	Condition	Rating			Unit
			min	typ	max	
Expander rms output voltage	V_O	$V_I = 0 \text{ dB}$	100	126	160	mV
Maximum expander rms output voltage	$V_{O \text{ max}}$	THD = 10%, $R_L = 10 \text{ k}\Omega$	0.6	1.0	-	V
Gain error	A_{err}	$V_I = 5 \text{ dB}$	-0.5	0	0.5	dB
		$V_I = -20 \text{ dB}$	-1.0	0	1.0	
		$V_I = -30 \text{ dB}$	-1.5	0	2.0	
Total harmonic distortion	THD	$V_I = 0 \text{ dB}$. CHGCTL is HIGH.	-	0.40	1.00	%
Expander rms output noise voltage	V_{NO}	$R_L = 620 \Omega$, $f = 20 \text{ Hz to } 20 \text{ kHz}$	-	13	60	μV
Mute attenuation	α	$V_I = 0 \text{ dB}$. EMUTE is HIGH.	-60	-70	-	dB
Crosstalk	CT	Compressor rms input voltage = 10 mV	-60	-83	-	dB

Compressor lowpass filter

$V_{CC} = 3 \text{ V}$, $T_a = 25 \text{ }^\circ\text{C}$, $V_{BI} = 1.2 \text{ V}$, $f = 1 \text{ kHz}$ unless otherwise noted

Parameter	Symbol	Condition	Rating			Unit
			min	typ	max	
Attenuation	α	$f = 3.4 \text{ kHz}$	-	-9	-	dB
		$f > 3.4 \text{ kHz}$	-	-18	-	dB/octave
Total harmonic distortion	THD	$V_{DIN} = 10 \text{ mV}$	-	0.15	1.00	%
Maximum LPF2OUT rms output voltage	$V_{O \text{ max}}$	THD = 10%, $R_L = 10 \text{ k}\Omega$	0.6	1.0	-	V

Expander lowpass filter

 $V_{CC} = 3\text{ V}$, $T_a = 25\text{ }^\circ\text{C}$, $V_{BI} = 1.2\text{ V}$, $f = 1\text{ kHz}$ unless otherwise noted

Parameter	Symbol	Condition	Rating			Unit
			min	typ	max	
Attenuation	α	$f = 3.4\text{ kHz}$	-	-3	-	dB
		$f > 3.4\text{ kHz}$	-	-16	-	dB/octave
Total harmonic distortion	THD	$V_{LFF1IN} = 100\text{ mV}$	-	0.35	1.00	%
Maximum LFF1OUT rms output voltage	$V_O\text{ max}$	THD = 10%, $R_L = 7.7\text{ k}\Omega$	0.20	0.34	-	V

Frequency-shifted keyed comparator

 $V_{CC} = 3\text{ V}$, $T_a = 25\text{ }^\circ\text{C}$, $V_{BI} = 1.2\text{ V}$, $f = 1\text{ kHz}$

Parameter	Symbol	Condition	Rating			Unit
			min	typ	max	
CHGCTL duty cycle	Duty	$V_{IN} = 100\text{ mV}$	49	48	53	%
CHGCTL ON voltage	V_{ON}		-	-	-	V
CHGCTL OFF voltage	V_{OFF}		-	-	0.4	V
CHGCTL input impedance	R_i		-	200	-	$\text{k}\Omega$
VHOLD input/output current	I_O	$V_{CHGCTL} = 2\text{ V}$	-	80	-	μA
FSKOUT LOW-level output voltage	V_{OL}	$R_L = 100\text{ k}\Omega$	-	-	0.9	V
FSKOUT HIGH-level output voltage	V_{OH}	$R_L = 100\text{ k}\Omega$	2.5	-	-	V

Standby mode characteristics

 $V_{CC} = 3\text{ V}$, $T_a = 25\text{ }^\circ\text{C}$, $V_{BI} = 1.2\text{ V}$, $f = 1\text{ kHz}$

Parameter	Symbol	Condition	Rating			Unit
			min	typ	max	
STBY voltage	V_{STBY}		-	-	0.7	V
STBY output current	I_O		-	-	50	μA

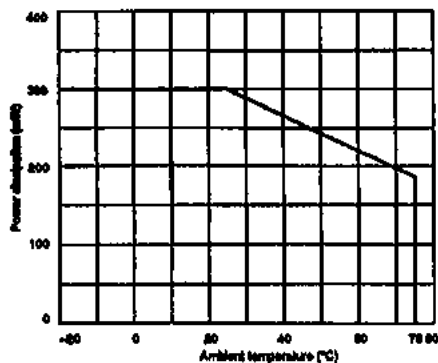
Digital input characteristics

 $V_{CC} = 3\text{ V}$, $T_a = 25\text{ }^\circ\text{C}$, $V_{BI} = 1.2\text{ V}$, $f = 1\text{ kHz}$

Parameter	Symbol	Condition	Rating			Unit
			min	typ	max	
EMUTCTL and CMUTCTL LOW-level input voltage	V_{IL}		-	-	0.65	V
EMUTCTL and CMUTCTL HIGH-level input voltage	V_{IH}		$0.6V_{CC}$	-	-	V
EMUTCTL and CMUTCTL LOW-level input current	I_{IL}	$V_I = 0.2\text{ V}$	-	-	100	μA
EMUTCTL and CMUTCTL HIGH-level input current	I_{IH}	$V_I = 2\text{ V}$	-	-	5	μA

Typical Performance Characteristics

Power dissipation vs. ambient temperature



DESIGN NOTES

The gain of the compressor summing amplifier is two at DC, and undefined at AC. The cutoff frequency is determined by the RC network formed by the external capacitor connected to CNF and the internal 30 kΩ resistor.

The expander output is on TEOUT when INTCTL is HIGH or open, and on INTOUT when LOW.

In FSK waveform reconstruction, LOW-level output is during the positive signal interval of a cycle.

Compression

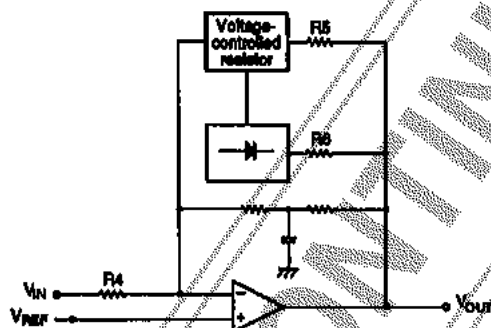


Figure 1. Compressor equivalent circuit

The compressor output voltage is given by the equation

$$V_O = \sqrt{\frac{R_3 R_4 I_2}{3R_4}} V_I = 0.315 \times \sqrt{V_I}$$

where I_2 is half the common-mode current of the VCA voltage-to-current converter differential amplifier.

Expansion

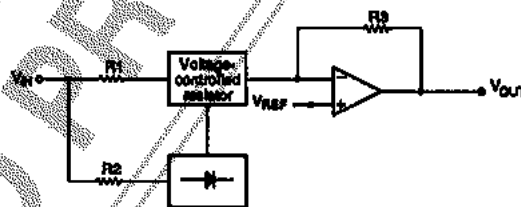


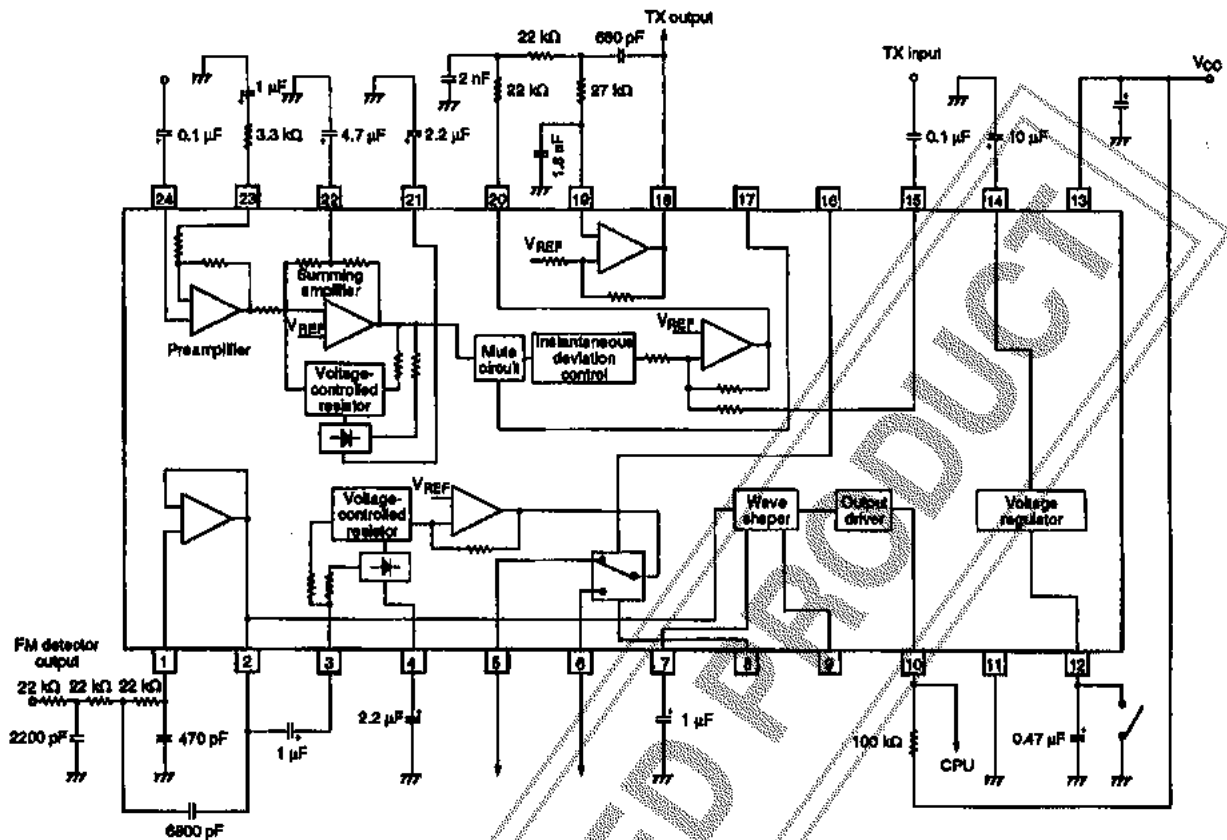
Figure 2. Expander equivalent circuit

The expander output voltage is given by the equation

$$V_O = \frac{3R_3}{R_1 R_2 I_1} V_I^2 = 10 \times V_I^2$$

where I_1 is half the common-mode current of the VCA voltage-to-current converter differential amplifier.

TYPICAL APPLICATION



■ No products described or contained herein are intended for use in surgical implants, life-support systems, aerospace equipment, nuclear power control systems, vehicles, disaster/crime-prevention equipment and the like, the failure of which may directly or indirectly cause injury, death or property loss.

■ Anyone purchasing any products described or contained herein for an above-mentioned use shall:

- ① Accept full responsibility and indemnify and defend SANYO ELECTRIC CO., LTD., its affiliates, subsidiaries and distributors and all their officers and employees, jointly and severally, against any and all claims and litigation and all damages, cost and expenses associated with such use;
- ② Not impose any responsibility for any fault or negligence which may be cited in any such claim or litigation on SANYO ELECTRIC CO., LTD., its affiliates, subsidiaries and distributors or any of their officers and employees jointly or severally.

■ Information (including circuit diagrams and circuit parameters) herein is for example only; it is not guaranteed for volume production. SANYO believes information herein is accurate and reliable, but no guarantees are made or implied regarding its use or any infringements of intellectual property rights or other rights of third parties.