



**RADIALL**  
Coaxial connectors

TECHNICAL DATA

R 203 073

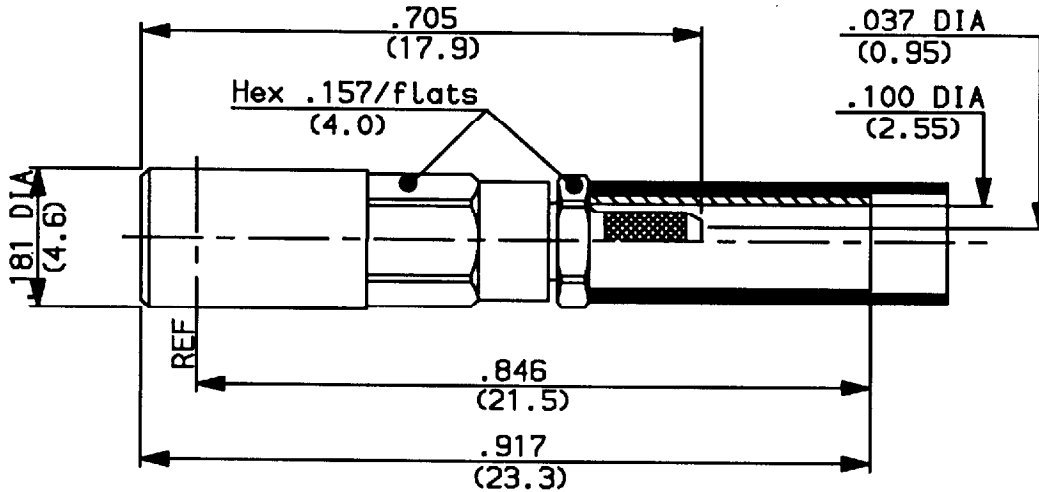
Issue : 9211

Page

STRAIGHT PLUG  
CRIMP/SOLDER TYPE CABLE 2/50

SERIES: SSMB 1

/ 2



CHARACTERISTICS

NOMINAL IMPEDANCE	50 $\Omega$
FREQUENCY RANGE	0-4 GHz
TEMPERATURE RATING	-65/+165 °C
VSWR	1.33 Max
RF INSERTION LOSS	0.30 /F dB Max
VOLTAGE RATING	250 V <sub>rms</sub> Max
DIELECTRIC WITHSTANDING VOLTAGE	500 V <sub>rms</sub> min
INSULATION RESISTANCE	1000 M $\Omega$ min
HERMETIC SEAL	NA $\frac{cc}{s}$ Atm. cm <sup>3</sup> /s
LEAKAGE (pressurized only)	NA $\frac{psi}{MPa}$

STANDARDISATION

MIL STD 348A  
CEI 169-19  
CECC 22170

CABLE RETENTION	9.9 Lb min 45 N
CENTER CONTACT RETENTION	
Axial force - mating end	2.0 Lb min 8.9 N
Axial force - opposite end	2.0 Lb min 8.9 N
Torque (Min)	NA Inch. oz cm.N
RECOMMENDED TORQUES	
Mating	NA Inch. Lb cm.N
Panel nut	NA Inch. Lb cm.N
Clamp nut	NA Inch. Lb cm.N

CONSTRUCTION

CONNECTOR PARTS	MATERIALS	FINISH
BODY	BRASS	20 $\mu$ I GOLD
OUTER CONTACT	BERYLLIUM COPPER	20 $\mu$ I GOLD
CENTER CONTACT	BERYLLIUM COPPER	50 $\mu$ I GOLD
INSULATORS	PTFE	-
BACK BODY	BRASS	20 $\mu$ I GOLD
FERRULE	BRASS	8 $\mu$ I GOLD
HEATSHRINK SLEEVE	POLYOLEFINE	-
-	-	-
-	-	-