

THIS DRAWING IS UNPUBLISHED. RELEASED FOR PUBLICATION  
 © COPYRIGHT 19 BY AMP INCORPORATED. ALL RIGHTS RESERVED.

LOC	DIST	REVISIONS			
P	LTR	DESCRIPTION	DATE	DWN	APVD
CE	16	REV PER 0A00-0034-99	01MAR99	JPM	JE

1 MATERIAL:

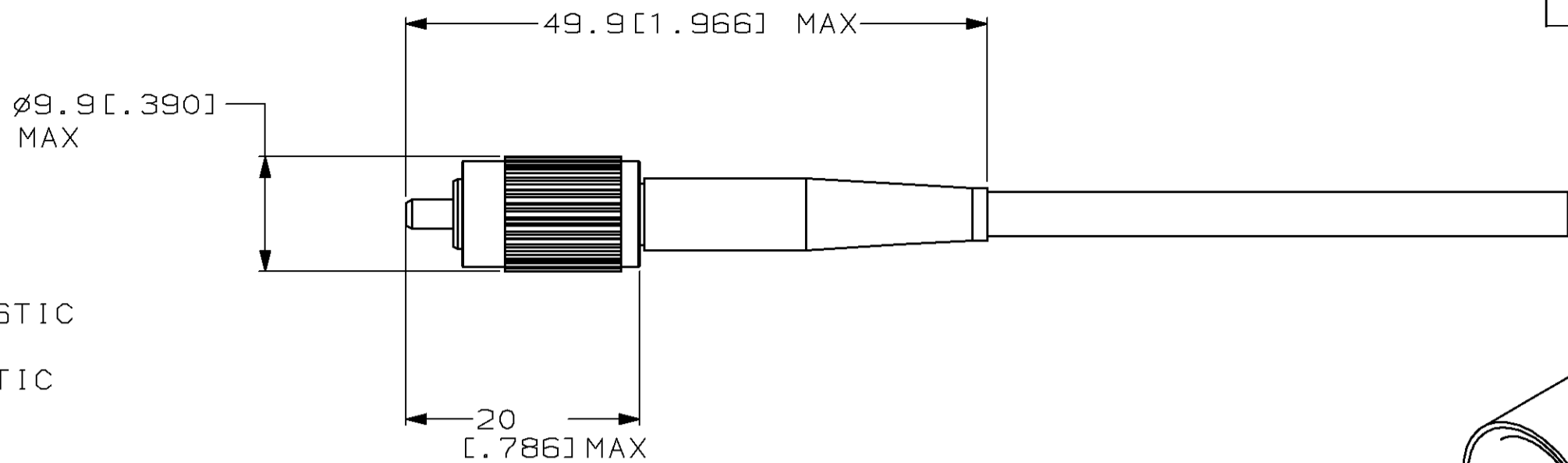
- COUPLING NUT: BRASS
- PLUG BODY: THERMOPLASTIC
- INTERNAL BODY: THERMOPLASTIC
- SPRING: STAINLESS STEEL
- FERRULE BASE: THERMOPLASTIC
- FERRULE: CERAMIC
- CRIMP EYELET: COPPER
- STRAIN RELIEF: THERMOPLASTIC ELASTOMER
- DUST COVER: THERMOPLASTIC

2 FINISH:

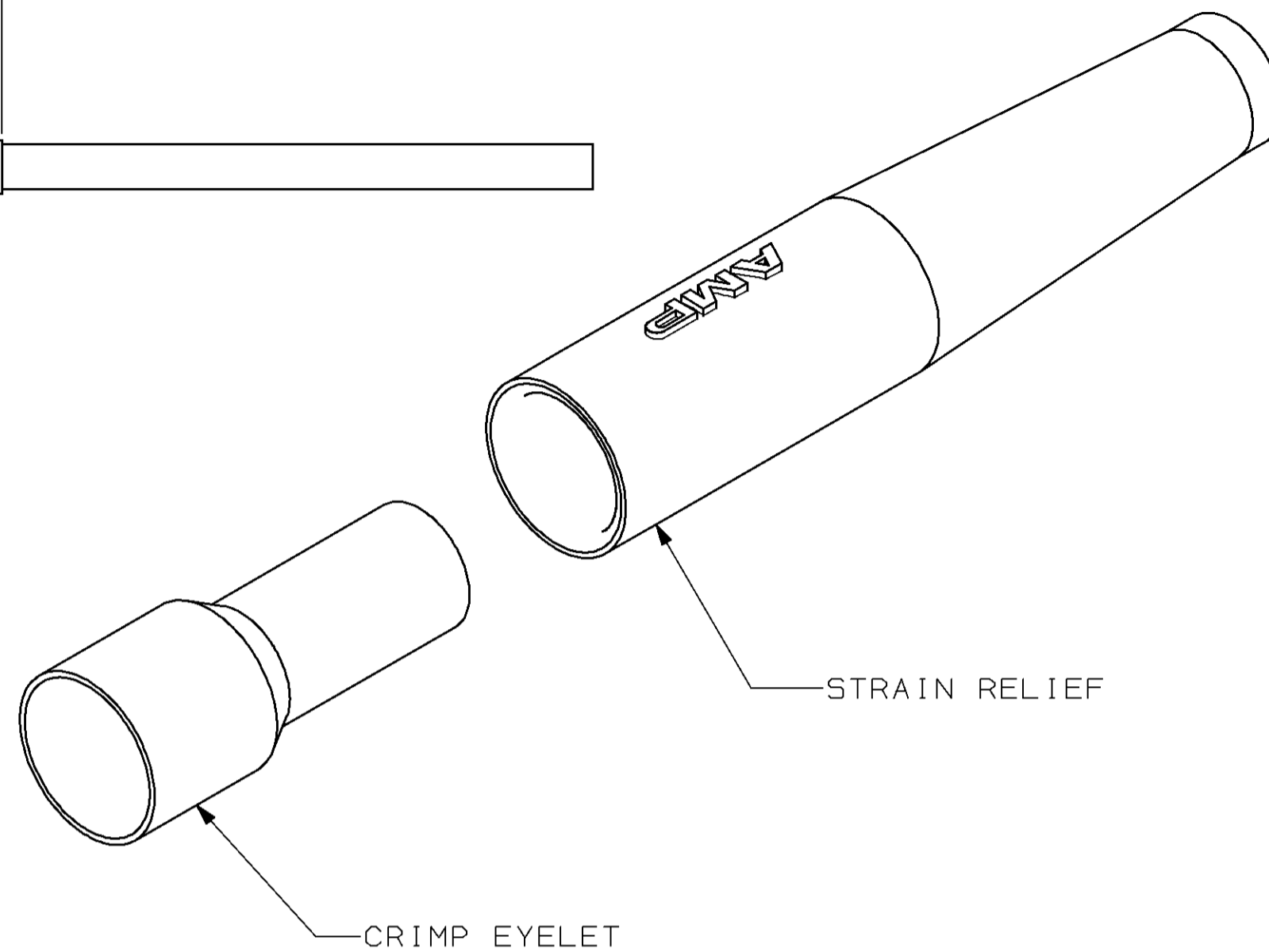
- COUPLING NUT: ELECTROLESS NICKEL
- CRIMP EYELET: BRIGHT TIN

3 BULK PACKAGE, 500 PIECES.

4. TO BE USED WITH 2.0mm "LOOSE-JACKETED" CABLE.



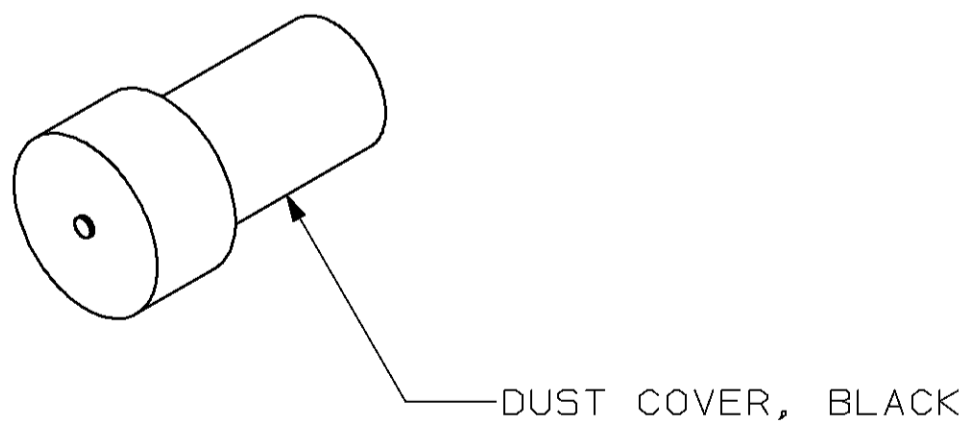
ASSEMBLED CONNECTOR



STRAIN RELIEF

CRIMP EYELET

CONNECTOR ASSEMBLY



DUST COVER, BLACK

YELLOW	BLUE	126 <sup>+1</sup> / <sub>-0</sub> μm	504915-6
YELLOW	NATURAL	125 <sup>+1</sup> / <sub>-0</sub> μm	504915-5
BLUE	BLUE	126 <sup>+1</sup> / <sub>-0</sub> μm	504915-4
BLUE	NATURAL	125 <sup>+1</sup> / <sub>-0</sub> μm	504915-3
BLUE	BLUE	126 <sup>+1</sup> / <sub>-0</sub> μm	504915-2
BLUE	NATURAL	125 <sup>+1</sup> / <sub>-0</sub> μm	504915-1
STRAIN RELIEF COLOR	FERRULE BASE COLOR	FERRULE HOLE SIZE	PART NUMBER

3  
3

THIS DRAWING IS A CONTROLLED DOCUMENT FOR AMP INCORPORATED. IT IS SUBJECT TO CHANGE AND THE CONTROLLING ENGINEERING ORGANIZATION SHOULD BE CONTACTED FOR THE LATEST REVISION.

DIMENSIONS: mm [INCHES]	TOLERANCES UNLESS OTHERWISE SPECIFIED: 0 PLC ± 1 PLC ± 2 PLC ± 3 PLC ± 4 PLC ± ANGLES ± FINISH -	DWN B.BRIGGS 3-12-96 CHK B.PARKER 3-12-96 APVD D.STAKEM 3-12-96	AMP Incorporated Harrisburg, PA 17105-3608
MATERIAL		PRODUCT SPEC APPLICATION SPEC WEIGHT	NAME CONNECTOR KIT, SINGLEMODE, FC, ONE PIECE, 2.0mm
		CUSTOMER DRAWING	SIZE A2 CAGE CODE 00779 DRAWING NO. C-504915
			SCALE NTS SHEET 1 OF 1 REV A

- [Home](#)
- [Part Number Search](#)
- [Text Search](#)
- [Alternate Part Search](#)
- [Multiple Part Comparison](#)
- [Alphabetical Search](#)
- [Brand Search](#)
- [Industry Product Search](#)
- [Product Type Search](#)
- [Product Family Search](#)
- [Competitor Cross Reference](#)
- [Document Number Search](#)
- [Lead Free Solutions](#)
- [Help/Glossary](#)

**Current Brand View**

AMP

[View All Tyco Electronics Brands](#)

Click to activate links to all other products

**Fiber Optic Products**

**FC Type and D4 Connectors**

AMP

**504915-1** -- 3 of 9 products

Active

[Active](#)

**(Tyco Electronics P/N: 504915-1)**

<a href="#">Previous</a>	<a href="#">Next</a>	<a href="#">Sales Information</a>	<a href="#">AMP ACES</a>	<a href="#">Step Search Screen</a>
			<a href="#">Related Documents</a>	<a href="#">General Information</a>
			<a href="#">Pricing</a>	<a href="#">Product Availability</a>

**Please use the customer drawing for all design activity.**

- **Customer Drawing: 504915**, Rev. A  
Document Title: CONNECTOR KIT, SINGLEMODE, FC, ONE PIECE, 2.0mm

[194937.pdf](#) [194937.pdf](#) (50K)

*The photographs and/or line drawings below are representative images of a product for viewing purposes only.*

[Product Photo](#)

**Searchable Features:**

<b>Brand:</b>	AMP
<b>Product Type:</b>	Connector
<b>Product Style:</b>	FC
<b>Mode:</b>	Singlemode
<b>Fiber Size (Micron):</b>	125
<b>Panel Attachment:</b>	No
<b>Hole Size:</b>	125 µm

**Other Properties:**

<b>Boot Type:</b>	Long
-------------------	------

<b>Cable Diameter (mm [in]):</b>	2.00 [.079]
<b>Connector Style:</b>	One Piece

---

[Copyright](#) and [Privacy Statement](#)

Visit [Tyco International, Ltd.](#)

[Products](#) | [Brands](#) | [Industries](#) | [Customer Service](#) | [About](#) | [Home](#)