

STLZ990/..-5.08-GREEN



Technical Data

Wire Sizes	Insulating Material
Solid min -	Material PA 6.6
solid max -	Flammability Class UL 94 V-0
Stranded (flexible) -	Temperatures
min	Operating Temperature -30 °C - 105 °C
Stranded (flexible) -	Wave Soldering Process
max	Soldering Temperature, recommended 265 °C
Stranded with Ferrule -	Peak Soldering Time, recommended 3-4 s
min	Reflow Process
Stranded with Ferrule -	Soldering Temperature, recommended -
max	Peak Soldering Time, recommended -
Dimensions	
Stripped Length	
PCB Hole Diameter 1.4 mm	
Materials	
Contact Pin Copper Alloy	

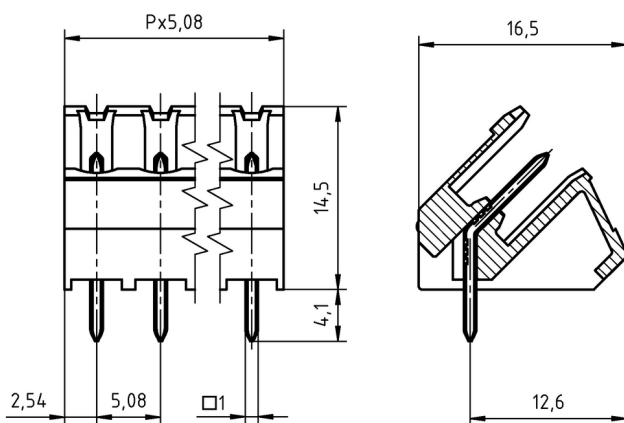
Colours

GREEN	RAL6018	
LIGHT GREEN	similar RAL 6018	

Colours according to RAL, there may be variations on colour due to production conditions. Special colours on request.

Counterparts (Spacing 5.08 mm)

Pin Strip/Terminal Blocks				
AKZ950	STLZ950-INV	AKZ4951	AKZ1200	AKZ1100



Order Data (Spacing mm)

Poles	Width (mm)	Article Designation	Article Number	PU
2	10.16	STLZ990/2-5.08-GREEN	50990025131F	200
3	15.24	STLZ990/3-5.08-GREEN	50990035131F	200
4	20.32	STLZ990/4-5.08-GREEN	50990045131F	200
5	25.40	STLZ990/5-5.08-GREEN	50990055131E	100
6	30.48	STLZ990/6-5.08-GREEN	50990065131E	100
7	35.56	STLZ990/7-5.08-GREEN	50990075131E	100
8	40.64	STLZ990/8-5.08-GREEN	50990085131D	50
9	45.72	STLZ990/9-5.08-GREEN	50990095131D	50
10	50.80	STLZ990/10-5.08-GREEN	50990105131D	50
11	55.88	STLZ990/11-5.08-GREEN	50990115131D	50
12	60.96	STLZ990/12-5.08-GREEN	50990125131D	50
13	66.04	STLZ990/13-5.08-GREEN	50990135131D	50
14	71.12	STLZ990/14-5.08-GREEN	50990145131D	50
15	76.20	STLZ990/15-5.08-GREEN	50990155131D	50
16	81.28	STLZ990/16-5.08-GREEN	50990165131D	50
17	86.36	STLZ990/17-5.08-GREEN	50990175131D	50
18	91.44	STLZ990/18-5.08-GREEN	50990185131D	50
19	96.52	STLZ990/19-5.08-GREEN	50990195131D	50
20	101.60	STLZ990/20-5.08-GREEN	50990205131D	50
21	106.68	STLZ990/21-5.08-GREEN	50990215131D	50
22	111.76	STLZ990/22-5.08-GREEN	50990225131D	50
23	116.84	STLZ990/23-5.08-GREEN	50990235131D	50
24	121.92	STLZ990/24-5.08-GREEN	50990245131D	50

Accessories

Figure	Designation	Article Number
	Coding star CS2-5.0/5.08-RED	50000000024
	Dividing element SE-STLZ950-GREEN	50950000002



Ratings



Usegroup	B	C	D	
Rated Voltage	300 V	150 V	300 V	250 V
Rated Current	15 A	15 A	10 A	12 A
Overtoltage Category				III
Test Voltage	1.6 kV	1.6 kV	1.6 kV	4.0 kV
Pollution Degree				3