

**BOURNS**

## MODULAR CONTACT - FEMALE

- Rechargeable battery-pack applications
- Precious metal contacts
- Tape & reel available

### Model 70AD/Female

Bourns® Modular Contact

#### Materials & Finishes

Insulator ....Glass reinforced thermoplastic,  
UL 94V-0 rated, black  
Contact .....Copper alloy  
Finish  
Underplating .....Nickel  
Contact Area .....Precious metal  
Termination.....Tin alloy  
(meets MIL-STD202, method 208)

#### Operating Characteristics

##### Electrical

Current Rating .....DC 3A/contact  
Contact Resistance .....25mΩ max.  
Dielectric Voltage .....AC 500V  
Insulating Resistance .....500MΩ min.  
Operating Temperature.....-55°C to 125°C

##### Mechanical

Durability .....5,000 cycles

Consult factory for increased durability.

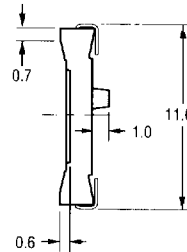
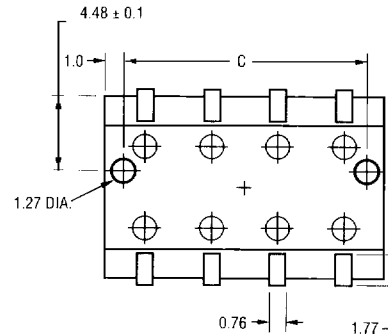
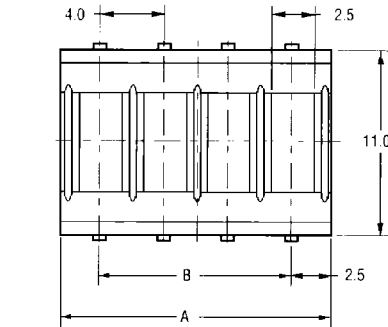
#### HOW TO ORDER

**70AD J - 003 - F L 0**

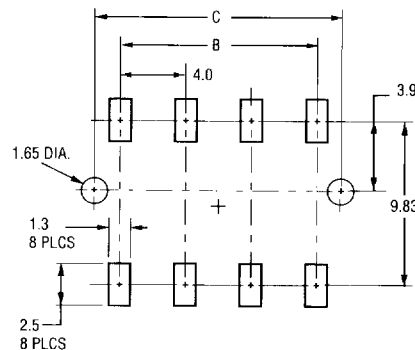
Model \_\_\_\_\_  
Terminal Style \_\_\_\_\_  
J = SMT  
H = Through-hole  
Number of Contacts \_\_\_\_\_  
002 through 006  
Gender \_\_\_\_\_  
M = Male  
F = Female  
Height \_\_\_\_\_  
L = Low Profile  
Options \_\_\_\_\_  
0 = Standard  
1 = Locator Pins

Number of Contacts	Dim. A	Dim. B	Dim. C
2	9.0	4.0	7.0
3	13.0	8.0	11.0
4	17.0	12.0	15.0
5	21.0	16.0	19.0
6	25.0	20.0	23.0

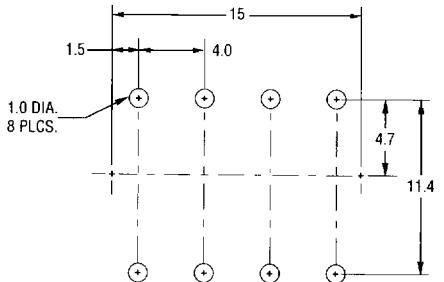
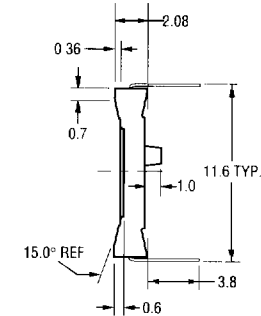
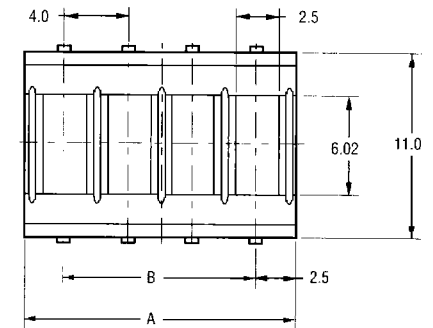
70ADJ



RECOMMENDED PWB MOUNTING PATTERN



70ADH



DIMENSIONS ARE IN MILLIMETERS.



1200 Columbia Avenue  
Riverside, CA 92507  
FAX: (909) 781-5700  
Phone: (909) 781-5500

Specifications are subject to change without notice  
COPYRIGHT © 1996, BOURNS, INC. LITHO IN U.S.A. RB 12/96 15M/BC6019

\*BOURNS044\*