

# RED INDICATES ORIGINAL

TABLE 1

DASH NO	DESCRIPTION	DASH NO	DESCRIPTION
-1	CAP (NO CHAIN)	-12	CAP WITH 2.50 JACKETED SST ROPE
-2	CAP WITH 2.50 BRASS CHAIN	-13	CAP WITH 3.00 JACKETED SST ROPE
-3	CAP WITH 2.50 NYLON CHAIN	-14	CAP WITH 6.00 JACKETED SST ROPE
-4	CAP WITH 3.00 BRASS CHAIN	-15	CAP WITH 4.00 JACKETED SST ROPE
-5	CAP WITH 3.00 NYLON CHAIN	-16	CAP WITH 7.00 JACKETED SST ROPE
-6	CAP WITH 6.00 BRASS CHAIN	-17	CAP WITH 4.50 JACKETED SST ROPE
-7	CAP WITH 6.00 NYLON CHAIN		
-8	CAP WITH 4.00 BRASS CHAIN		
-9	CAP WITH 4.00 NYLON CHAIN		
-10	CAP WITH 10.00 BRASS CHAIN		
-11	CAP WITH 10.00 NYLON CHAIN		

TABLE 2

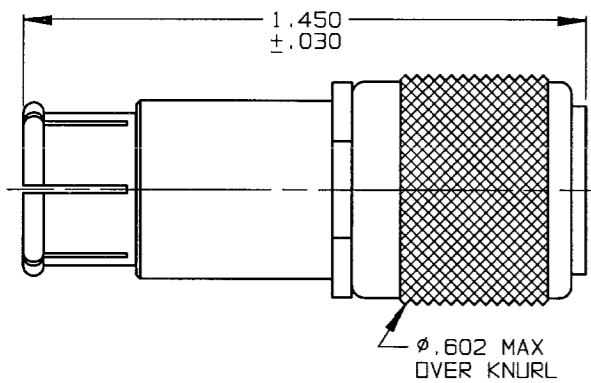
DASH NO	φ "A"	φ "B"	"C" DIM	"D" DIM
-02	.630	.750	1.066	.450
-03	.505	.625	.941	.388
-04	.439	.562	.878	.355
-05	.380	.500	.816	.325
-06	.317	.437	.753	.295
-07	.281	.406	.722	.278
-08	.610	.750	1.066	.450
-09	.567	.687	1.003	.419
-008	.330	.450	.766	.300

DATA CONTAINED IN THIS DOCUMENT IS PROPRIETARY TO TROMPETER ELECTRONICS INC. AND SHALL NOT BE DISCLOSED, COPIED OR USED FOR PROCUREMENT OR MANUFACTURE WITHOUT EXPRESS WRITTEN PERMISSION OF TROMPETER ELECTRONICS INC.

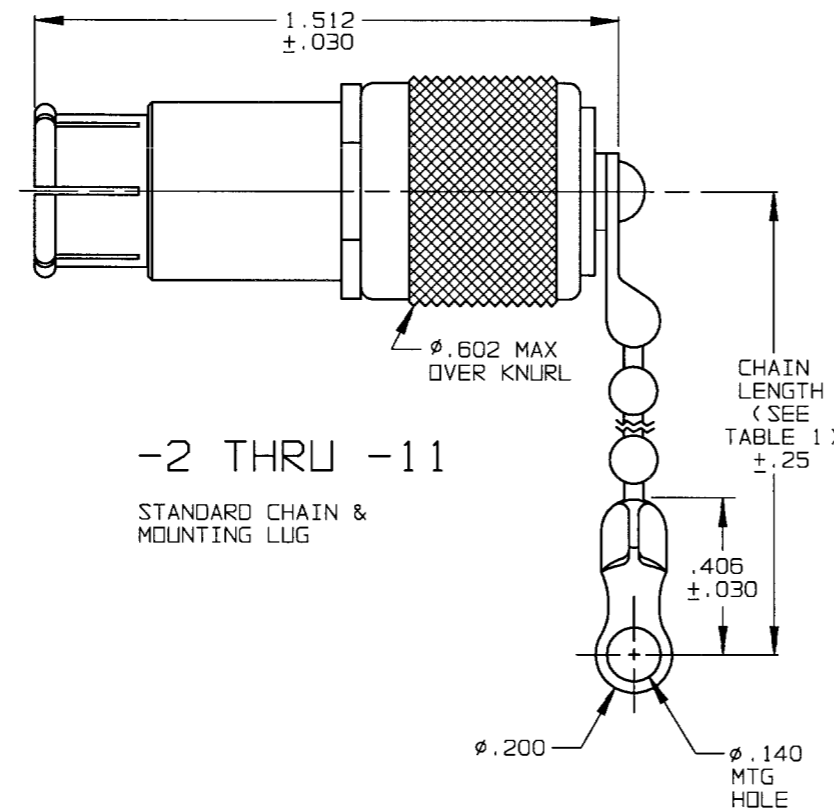
## REVISIONS

REV	DESCRIPTION	DATE	APPROVED
A	REVISED PER ECO #14009	5/11/01	[Signature]

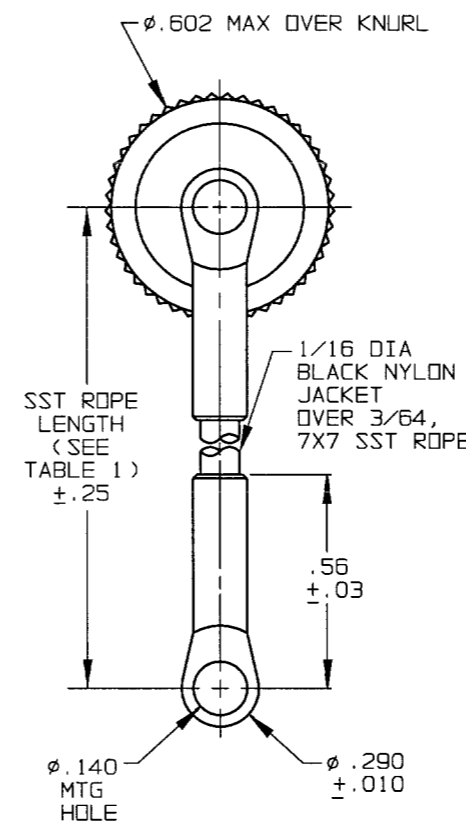
1-0455 SH 1C



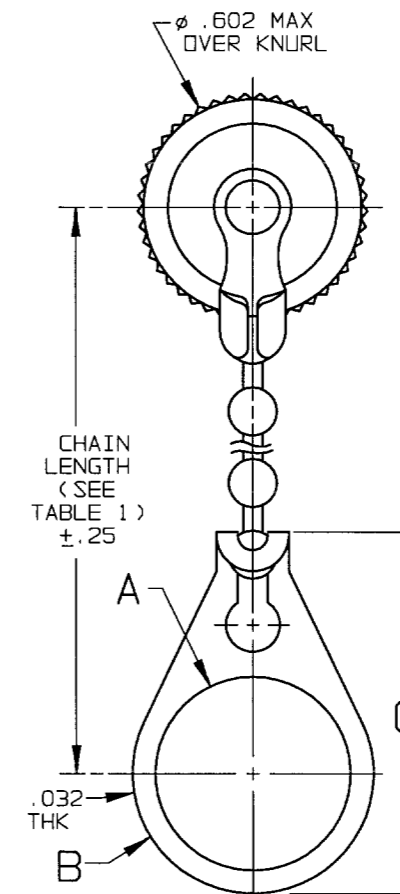
-1 SHOWN  
NO CHAIN/ROPE OR MOUNTING LUG



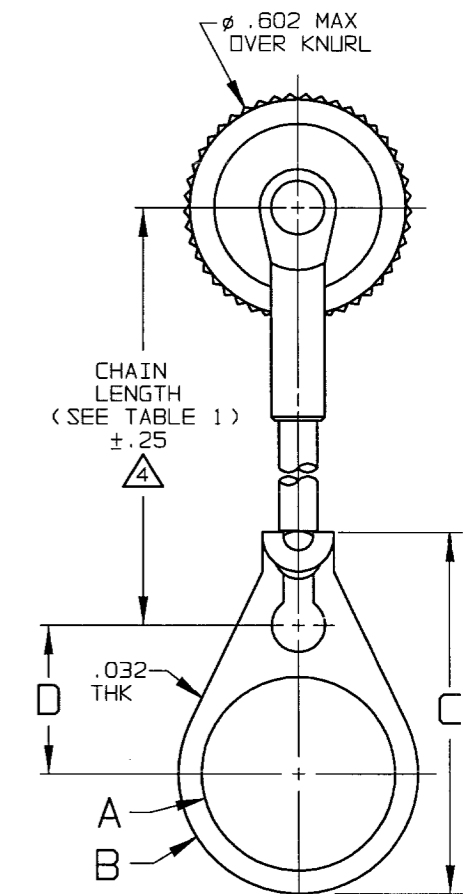
-2 THRU -11  
STANDARD CHAIN & MOUNTING LUG



-12 THRU -17 SHOWN  
STAINLESS STEEL ROPE AND MOUNTING LUG



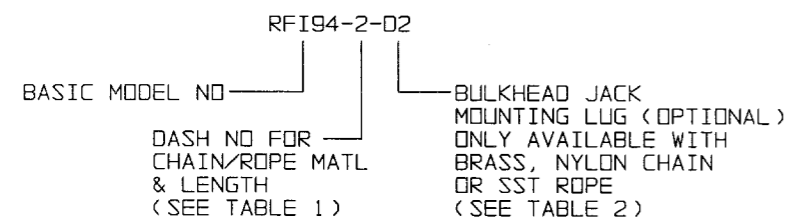
-2-02 THRU -11-008 SHOWN  
STANDARD CHAIN AND BULKHEAD JACK MOUNTING LUG



-12-02 THRU -17-008 SHOWN  
SST ROPE AND BULKHEAD JACK MOUNTING LUG

NOTE THAT CHAIN LENGTH FOR SST ROPE WITH MOUNTING OPTION IS NOT MEASURED TO CENTER OF BULKHEAD MOUNTING LUG

3. EXAMPLE OF COMPLETE MODEL NO:



2. HIGH FREQUENCY RFI OR DUMMY PLUG WITH OR WITHOUT CHAIN OR JACKETED STAINLESS STEEL ROPE AND MOUNTING LUG OPTION

1. FINISH: TFS-1A (NICKEL)

INTERPRET DRAWING PER MIL-STD-100 DIMENSIONS ARE IN INCHES AND INCLUDE FINISH THICKNESS UNLESS OTHERWISE SPECIFIED

TOL: UNLESS SPECIFIED  
.XX ±.030  
.XXX ±.005  
.XXXX  
ANGLES  
MATERIAL:



DRAWN: DKC  
CHECKED: [Signature]  
APPROVED: [Signature]

DATE: 4-24-01  
FINISH: SEE NOTE: 1

TITLE: RFI94

SIZE	CAGE CODE	DRAWING NO.	REV.
B	14949	1-0455	A

CAO FILE NO. 1-0455A1  
NEXT ASSY

DO NOT SCALE DWG  
SCALE 2/1  
DATE: 7-3-79  
SHEET 1C