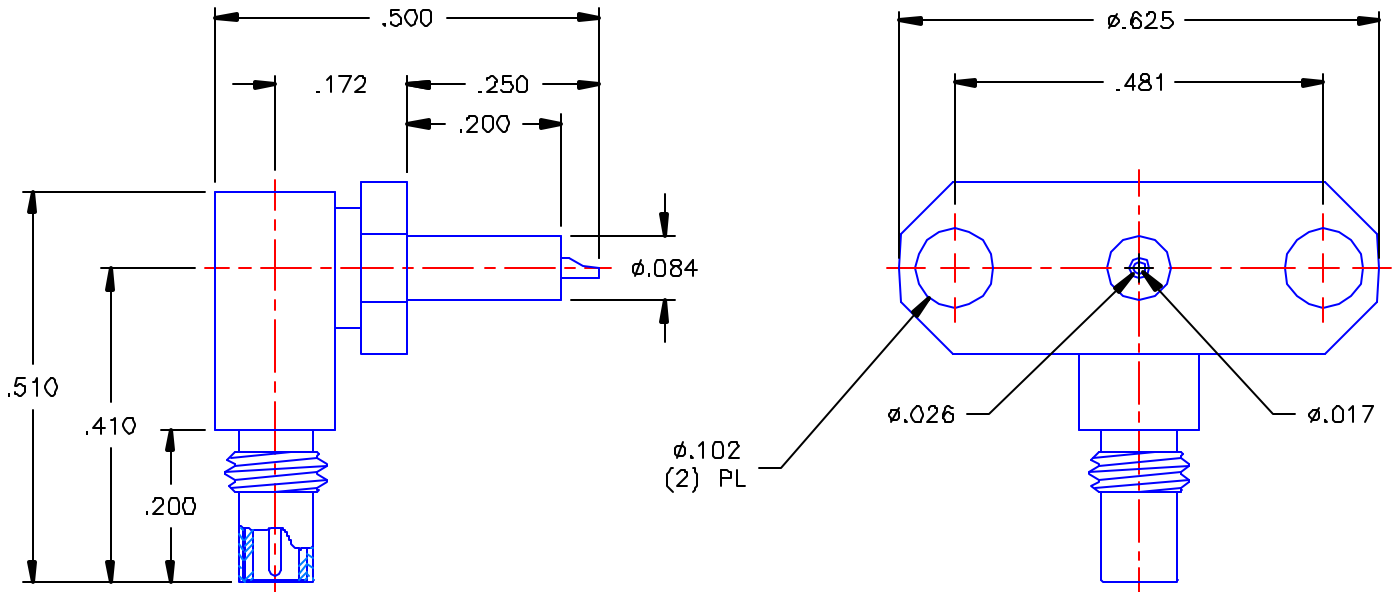


PROPRIETARY INFORMATION  
 NOT TO BE RELEASED  
 WITHOUT WRITTEN PERMISSION  
 FROM AN AUTHORIZED  
 REPRESENTATIVE OF  
 APPLIED ENGINEERING PRODUCTS

REVISIONS			
REV	DESCRIPTION	DATE	APPROVED
-	INITIAL RELEASE	06/03/05	D.N.
A	ECO #5881	06/03/05	D.N.




NOTES:

MATERIALS:

1. FLANGE BODY & CAP = BRASS PER ASTM B16, ALLOY C36000, TEMPER H02.
2. INTERFACE BODY & CONTACTS = BERYLLIUM COPPER PER ASTM B196, ALLOY C17300, TEMPER TD04.
3. INSULATORS = VIRGIN WHITE TEFLON PER ASTM D1710, GRADE 1, TYPE I, CLASS "B".

FINISHES:

1. CONTACTS = GOLD PLATE PER MIL-G-45204, TYPE II, CLASS 1, GRADE C, OVER .00010 TO .00020 STRESS FREE SULFAMATE NICKEL PER QQ-N-290.
2. ALL OTHER METAL PARTS = GOLD PLATE PER MIL-G-45204, TYPE II, CLASS 0, GRADE C, OVER .00010 TO .00020 COPPER STRIKE PER MIL-C-14550.

UNLESS OTHERWISE SPECIFIED DIMENSIONS ARE IN INCHES TOLERANCES ON	DWN. D.N.	DATE 06/01/05	 <b>APPLIED ENGINEERING PRODUCTS</b> 104 John W. Murphy Dr. New Haven, CT 06513
	CHKD: A.D.M.	DATE 06/03/05	
DECIMAL	ANGLE	APVD: D.J.C.	DATE 06/03/05
REFERENCE:		MATERIALS & FINISHES:	
ORIGINATOR: D.N. DATE: 06/01/05		SEE NOTES	
SIZE A	FSCM NO. 19505	DWG NO. 7132-1511-001	REV A
SCALE 4:1		THIRD ANGLE PROJECTION	SHEET 1 OF 1

7132-1511-001