

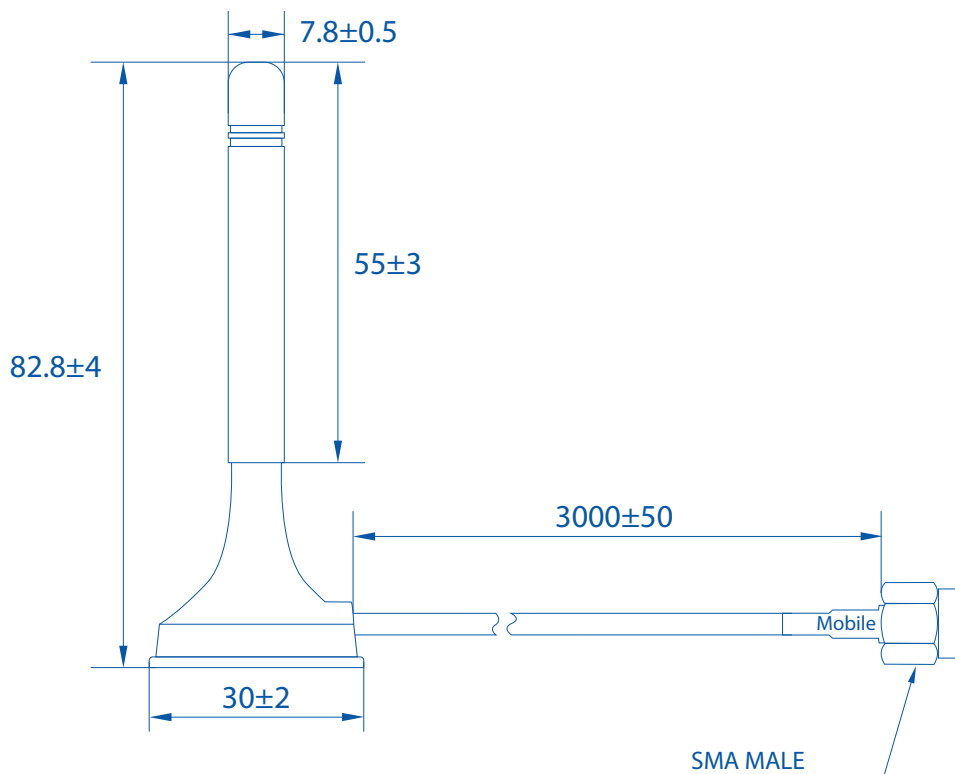
MOBILE MAGNETIC SMA ANTENNA



PARAMETER

RATED VALUE

Frequency Range	699~868MHz,1850~2690MHz
Polarization	Linear
Gain	≤1.0 dBi
V.S.W.R	≤3.0
Impedance	50 Ω
Cable	RG174, 3000mm
Connector	SMA Male
Mounting Method	Magnet
RoHS Compliant	v



Mouser Electronics

Authorized Distributor

Click to View Pricing, Inventory, Delivery & Lifecycle Information:

[Teltonika:](#)

[PR1KS210](#)