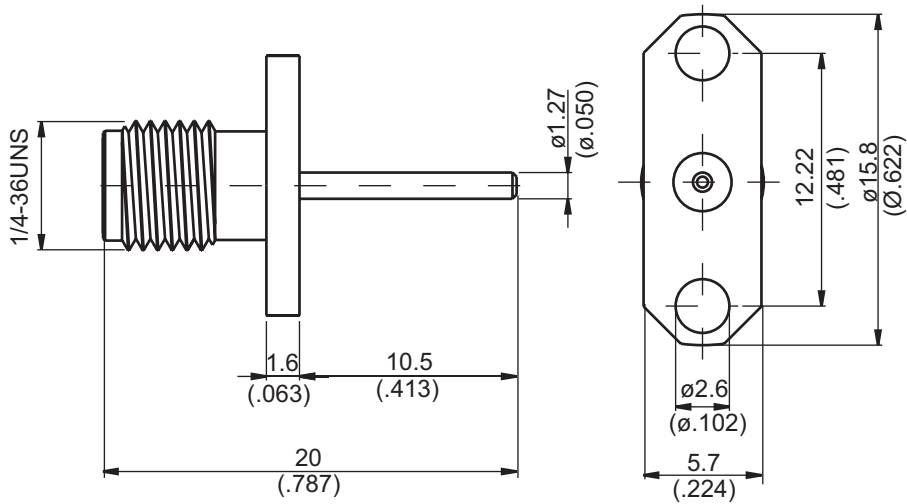


K862PN-0000

K Jack For Panel Receptacle 50Ω



Parts	Material	Plating (Micro-inch)
Holder	Stainless	Passivated
Contact Pin	Beryllium Copper	Gold 20 Over Nickel 50 Over Copper 50
Insulator	P.C.	
Body	Stainless	Passivated

Weight:

This part number complies with RoHS.

Notice: JYEBAO reserves the right to make modifications deemed appropriate.