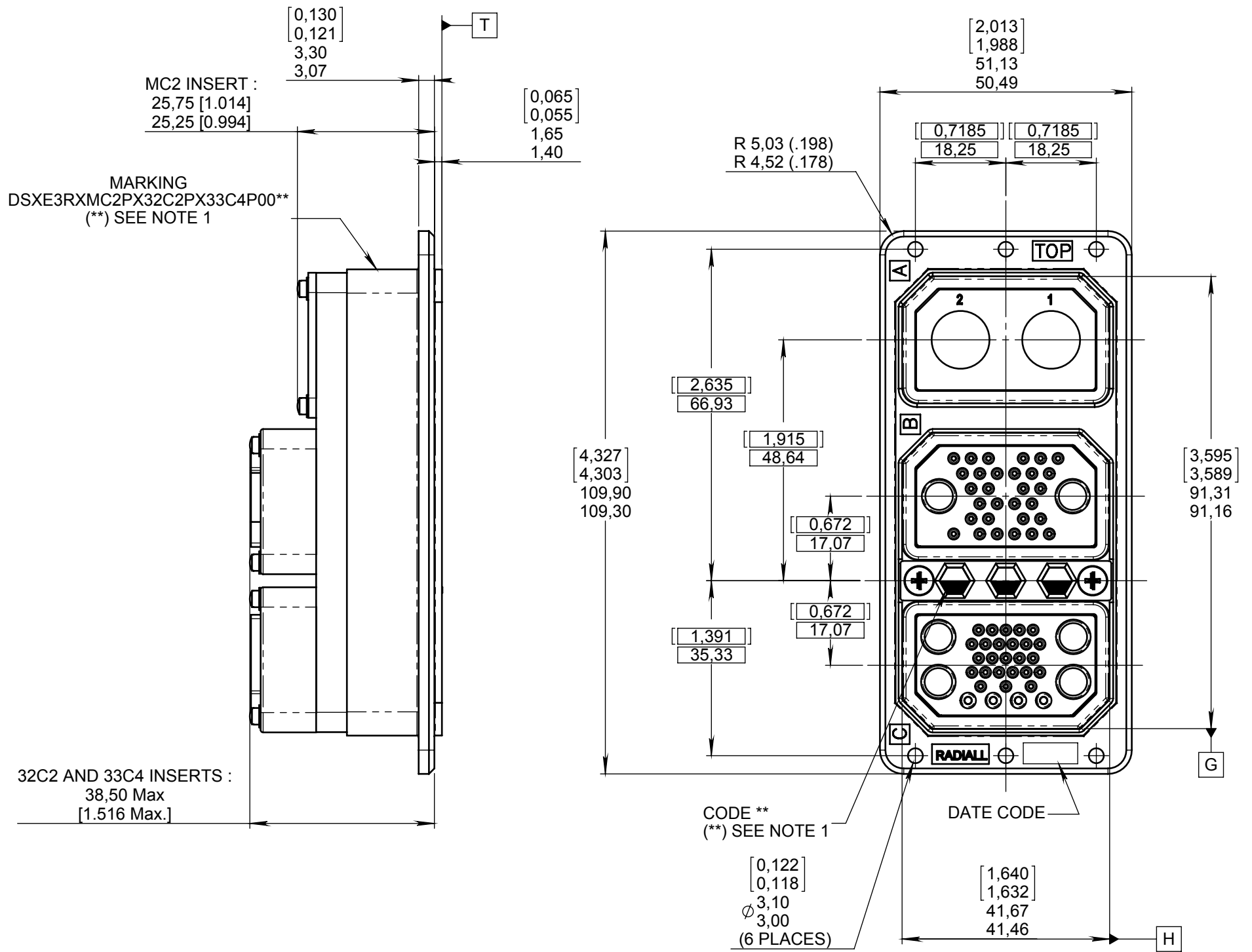


Series
DSX

ENVIRONMENTAL SIZE 3 RECEPTACLE CONNECTOR
MC2 - 32C2 - 33C4 INSERTS

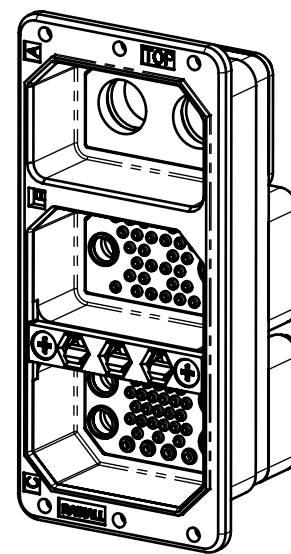
Issue:
Sept. 05, 2012

Page
1/2

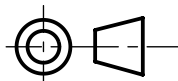


NOTE 1 :
(**) REPRESENTS THE POLARIZATION CODE AND IS CONFORM WITH SAE AS81659 STANDARD
WITHOUT POLARIZATION CODE, THE CONNECTOR IS DELIVERED WITH POLARIZATION HARDWARE UNASSEMBLED
WITH CODE 00 POLARIZATION, THE CONNECTOR IS DELIVERED WITHOUT POLARIZATION HARDWARE

FOR INFO ONLY:
FOR PIN CONTACTS
PROTRUDING FROM THE INSERT



DIMENSIONS : mm (inch are given for information only)



Estimated weight : 166 g

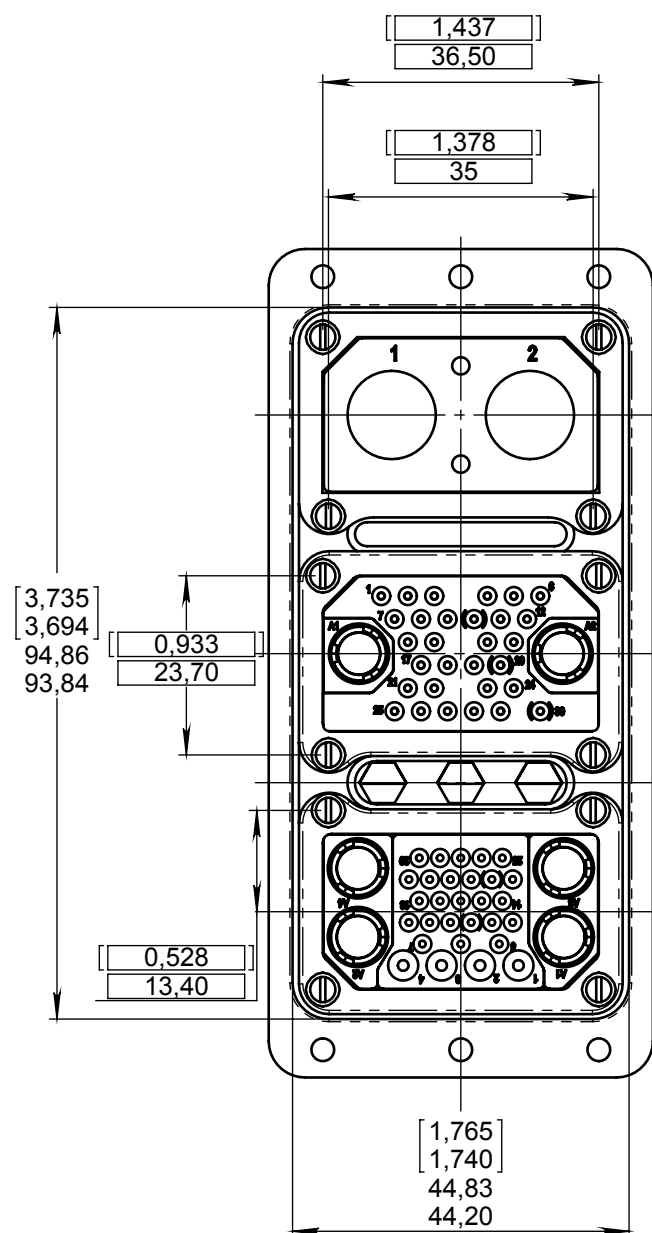
CREATION				
PEN: /				
NOM: MOUTAULT				
DATE: Sept. 05, 2012	/	/	/	/
APPR.: MONDOT	Issue	Revisions	Name	Approved

DSXE3RXMC2PX32C2PX33C4P00XXEN

RADIALL PROPRIETARY INFORMATION

This document contains proprietary information and such information shall not be disclosed to any third party for any purpose whatsoever or used for manufacturing purposes without prior written agreement from RADIALL. This information is given as an indication. In the continual goal to improve our products, we reserve the right to make any modifications judged necessary.

4112_9311


MATERIAL:

- SHELL : DIE CAST ALUMINUM ALLOY PER SAE AMS-QQ-A-591
- MC2 INSERT RETENTION PLATE : ALUMINUM ALLOY PER SAE AMS-QQ-A-250
- 32C2 AND 33C4 INSERT RETAINING PLATES : DIE CAST ALUMINUM ALLOY PER SAE AMS-QQ-A-591
- MC2 INSERT : ALUMINUM ALLOY PER SAE AMS-QQ-A-250
- 32C2 AND 33C4 INSERTS : THERMOSETTING MOLDED COMPOUND PER ASTM D 5948
- GROMMET AND INTERFACIAL SEAL : FLUOROSILICONE ELASTOMER PER SAE AMS-R-25988 (ONLY ON 32C2 AND 33C4 INSERTS)
- CONTACT RETENTION CLIPS : BERYLLIUM COPPER PER ASTM B 194
- POLARIZING RETENTION PLATE : DIE CAST ALUMINUM ALLOY PER SAE AMS-QQ-A-591
- POLARIZING KEYS : ZINC ALLOY PER ASTM B 86
- SCREWS AND WASHERS : CORROSION RESISTANT MATERIAL

FINISH:

- SHELL : YELLOW CHROMATE OVER CADMIUM PER SAE AMS-QQ-P-416, TYPE II
- MC2 INSERT : YELLOW CHROMATE OVER CADMIUM PER SAE AMS-QQ-P-416, TYPE II
- MC2 INSERT RETENTION PLATE : BLUE ANODIZED PER MIL-A-8625
- 32C2 AND 33C4 INSERT RETAINING PLATES : BLUE EPOXY PAINT
- POLARIZING RETENTION PLATE : YELLOW CHROMATE OVER CADMIUM PER SAE AMS-QQ-P-416, TYPE II, BLUE EPOXY PAINTED
- POLARIZING KEYS : YELLOW CHROMATE OVER CADMIUM PER SAE AMS-QQ-P-416, TYPE II

CONNECTOR IS DELIVERED WITHOUT CONTACT :

- MARKING : CONNECTOR MUST BE MARKED WITH : DSXE3RXMC2PX32C2PX33C4P00** + DATE CODE (CODE ** : SEE NOTE 1 PAGE 1)
- INDIVIDUAL PACKAGING