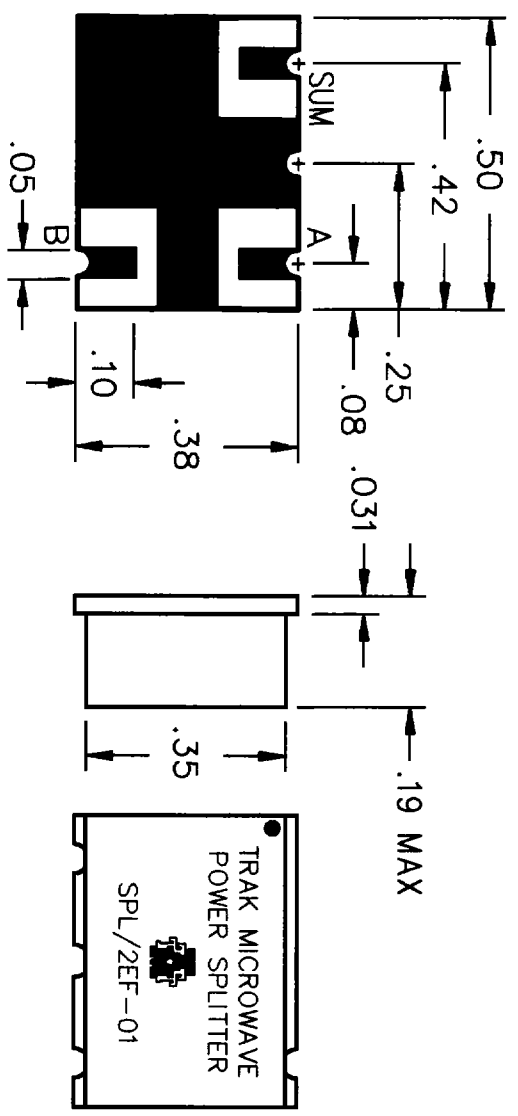
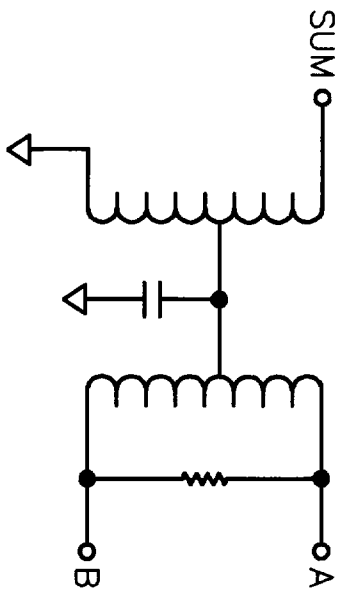


POWER SPLITTER



SPECIFICATIONS:

- FREQUENCY : 500-2000 MHz
- LOSS : 0.8 DB TYP, 2.0 DB MAX
- VSWR : 1.5:1 MAX
- AMP BALANCE : ± 0.1 DB TYP, ± 0.3 DB MAX
- PHASE BALANCE : $\pm 1^\circ$ TYP, $\pm 3^\circ$ MAX
- ISOLATION : 20 DB TYP, 14 DB MIN
- POWER : 1 WATT NOMINAL
- IMPEDANCE : 50 OHMS NOMINAL

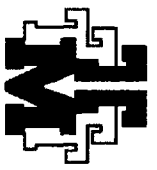


SCHEMATIC DIAGRAM

- STANDARD
- SPECIAL

MATERIAL

- BASE : FR-4
- COVER : VECTRA
- MARKING : LASER
- FINISH : SOLDER TIN



TRAK MICROWAVE

4726 Eisenhower Boulevard
Tampa, Florida 33634
(813)884-1411, FAX (813)886-2794

MODEL NO. SPL/2EF-01 SHT 1 OF 1 DATE 5/94