

TABLE 1

DASH NO	DESCRIPTION
-1	CAP (NO CHAIN)
-2	CAP WITH 2.50 BRASS CHAIN
-3	CAP WITH 2.50 NYLON CHAIN
-4	CAP WITH 3.00 BRASS CHAIN
-5	CAP WITH 3.00 NYLON CHAIN
-6	CAP WITH 6.00 BRASS CHAIN
-7	CAP WITH 6.00 NYLON CHAIN
-8	CAP WITH 4.00 BRASS CHAIN

DASH NO	DESCRIPTION
-9	CAP WITH 4.00 NYLON CHAIN
-10	CAP WITH 10.00 BRASS CHAIN
-11	CAP WITH 10.00 NYLON CHAIN
-12	CAP WITH 2.50 SST ROPE
-13	CAP WITH 3.00 SST ROPE
-14	CAP WITH 6.00 SST ROPE
-15	CAP WITH 4.00 SST ROPE
-16	CAP WITH 7.00 SST ROPE
-17	CAP WITH 4.50 SST ROPE

TABLE 3

DASH NO	"C" DIA	"D" DIA	"E" DIM	"F" DIM
-D1	.755	.875	1.191	.513
-D2	.630	.750	1.066	.450
-D3	.505	.625	.941	.388
-D4	.439	.562	.878	.355
-D5	.380	.500	.816	.325
-D6	.317	.437	.753	.295
-D7	.281	.406	.722	.278
-D8	.610	.750	1.066	.450
-D9	.567	.687	1.003	.419
-D10	.192	.312	.787	.628
-D11	1.005	1.125	1.441	.638
-DD8	.330	.450	.766	.300

TABLE 2

MODEL NO	LTR CODE	TYPE	A DIM	B DIA
TNGL1	---	2-LUG	1.903	.758
TNGL3L1	A	3-LUG		
TNTL1	B	THREADED	1.910	.827

DATA CONTAINED IN THIS DOCUMENT IS PROPRIETARY TO TROMPETER ELECTRONICS INC. AND SHALL NOT BE DISCLOSED, COPIED OR USED FOR PROCUREMENT OR MANUFACTURE WITHOUT EXPRESS WRITTEN PERMISSION OF TROMPETER ELECTRONICS INC.

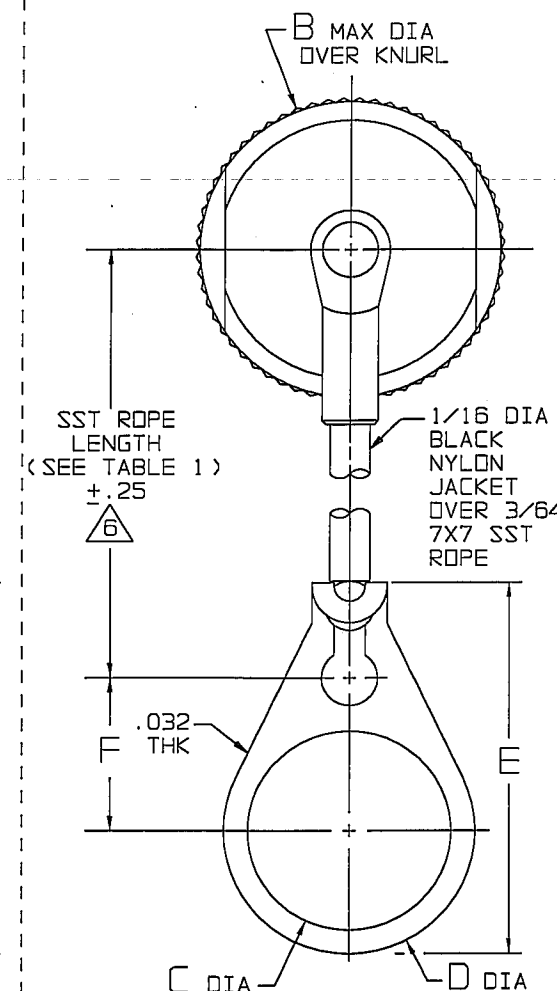
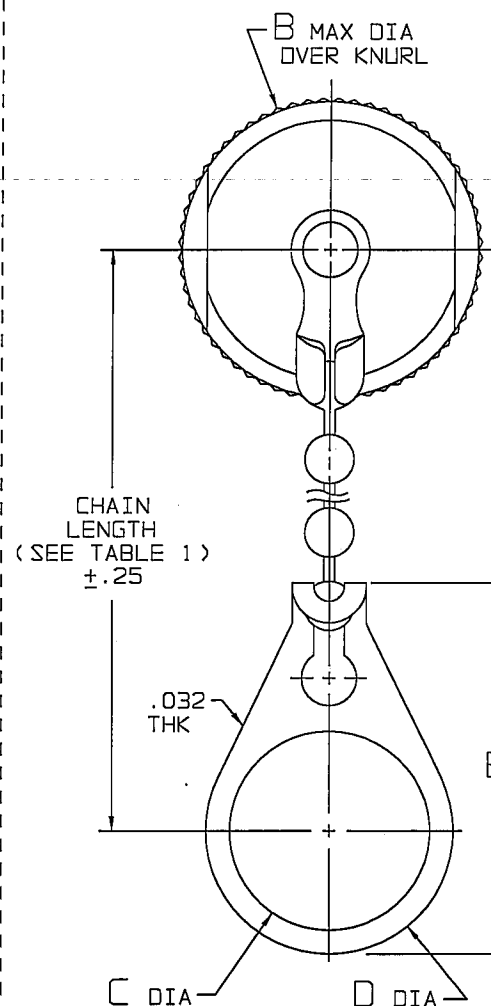
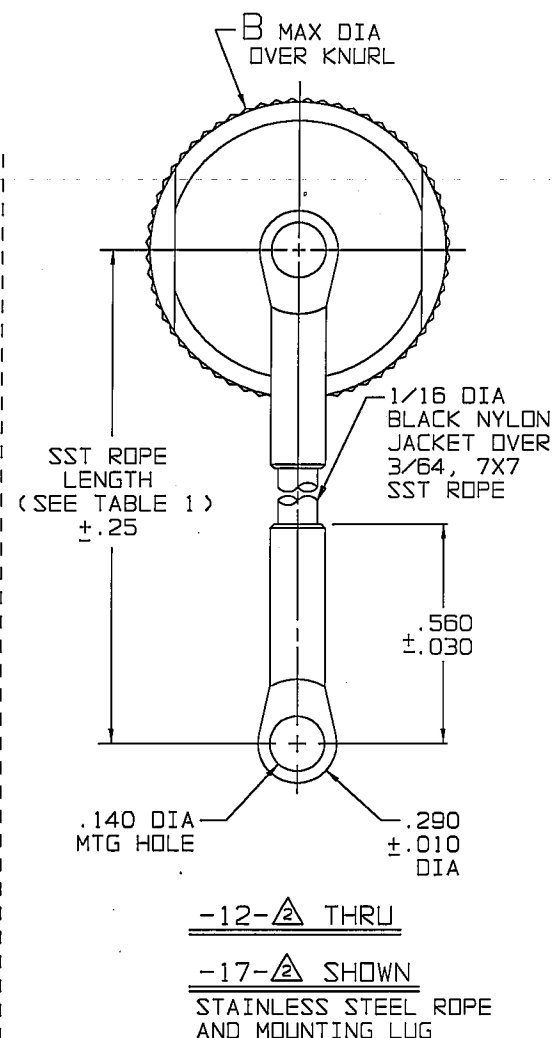
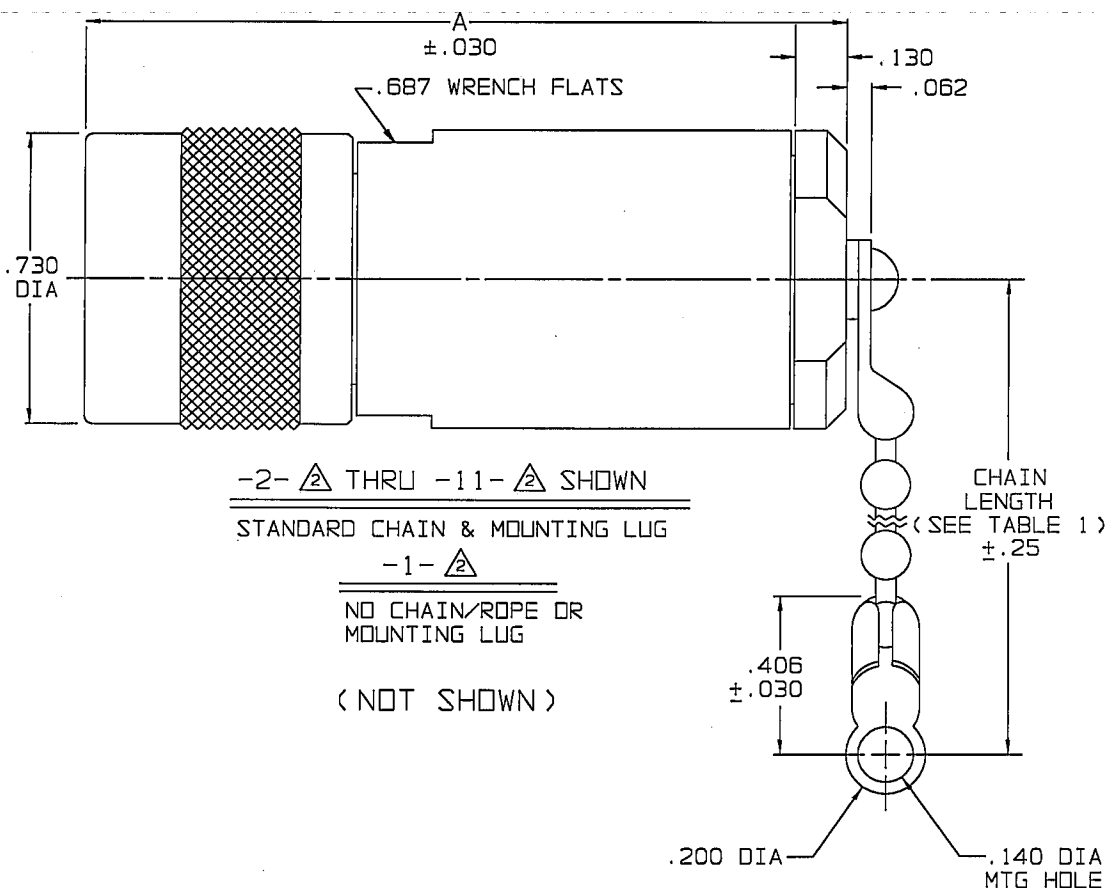
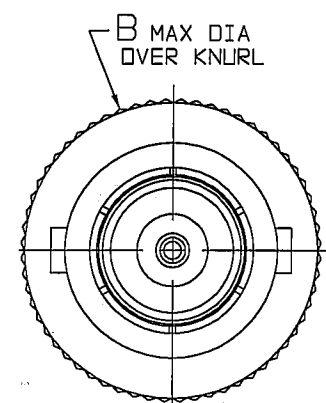
REVISIONS

REV	DESCRIPTION	DATE	APPROVED
L	REVISED PER ECO #14094	6-15-01	

305-0150

SH1

RED INDICATES ORIGINAL

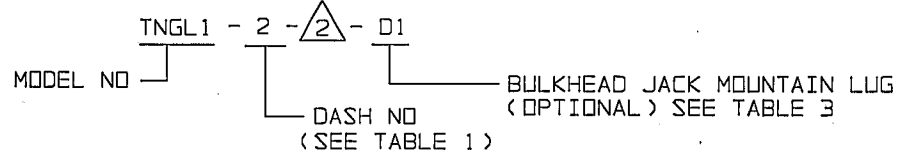


-2-△-D1 THRU
-11-△-DD8 SHOWN
STANDARD CHAIN AND BULKHEAD JACK MTG LUG

-12-△-D1 THRU
-17-△-DD8 SHOWN
STAINLESS STEEL ROPE AND BULKHEAD JACK MTG LUG

△ NOTE THAT LENGTH FOR SST ROPE WITH MOUNTING LUG OPTION IS NOT MEASURED TO CENTER OF BULKHEAD MOUNTING LUG

5. EXAMPLE OF COMPLETE MODEL NO:

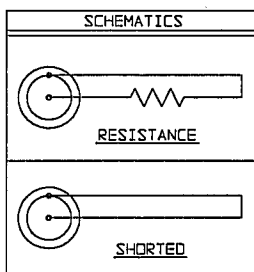


4. CONCENTRIC TWINAX/TRIAX "C" TYPE 2, 3-LUG AND THREADED TERMINATED PLUG

3. FINISH: TFS-1A (NICKEL)

2. RESISTANCE VALUE IN OHMS, 1/2W, 1%, "S" = SOCKET CONTACT SHORTED TO INNER SHIELD (NO RESISTOR)

1. ALL DIM ARE IN INCHES



INTERPRET DRAWING PER MIL-STD-100 DIMENSIONS ARE IN INCHES AND INCLUDE FINISH THICKNESS UNLESS OTHERWISE SPECIFIED

TOL: UNLESS SPECIFIED
.XX
.XXX
.XXXX
ANGLES

DRAWN R L
DATE 6/13/01
CHECKED [Signature]
APPROVED [Signature]

MATERIAL:

FINISH:

CAD FILE NO. 305-0150L1

DO NOT SCALE DWG

TROMPETER
ELECTRONICS, INC.

TITLE: TNGL1/TNGL3L1/TNTL1

SIZE	CAGE CODE	DRAWING NO.	REV.
B	14949	305-0150	L
SCALE	2/1	DATE: 3/11/81	SHEET 1C

NEXT ASSY