



## Foot switch with thermoplastic enclosure

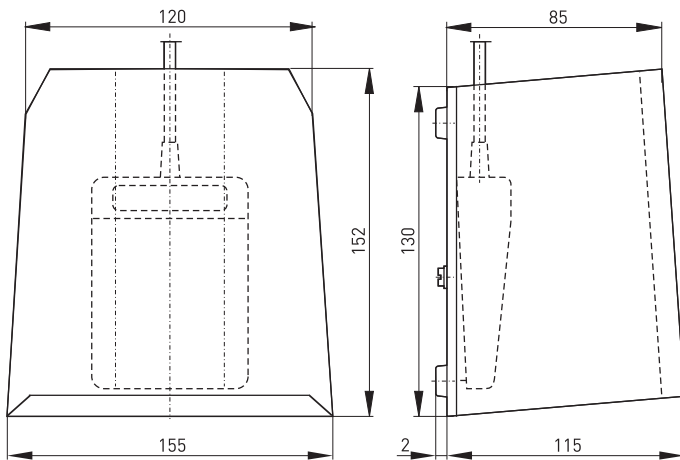
KFS 1PW - 2m

Material number: 1049352 (Material number old: 88231003)

### Features/Options:

- Thermoplastic enclosure
- With metal protective shield
- Micro switches (1-pole change over contact) for current load up to 5 A
- With pre-wired cable, cable length 2 m

### Dimensions



### Technical data

Applied standards	EN 60947-5-1
Enclosure	glass-fibre reinforced, shock-proof thermoplastic, self-extinguishing UL 94 V-0
Pedal	glass-fibre reinforced, shock-proof thermoplastic, self-extinguishing UL 94 V-0
Protective shield	steel, enamel finish
Connection	cable 3 x AWG 20
Cable length	2 m
Cable diameter	4.8 mm ±3%
Cable cross-section	3 x 0.52 mm <sup>2</sup>
Degree of protection	IP 65 to IEC/EN 60529
Switching system	Snap action: micro switch
Switching voltage	12 ... 250 VAC/DC
Switch-on current	max. 5 A
Switch-on power	max. 1250 VA
Short-circuit protection	5 A gG/gN fuse
Ambient temperature	-10 °C ... +60 °C
Mechanical life	> 1 million operations
Approvals	
Weight	885 g

Errors and omissions excepted.



Foot switch with thermoplastic enclosure

KFS 1PW - 2m

Material number: 1049352 (Material number old: 88231003)

## Contact diagram

