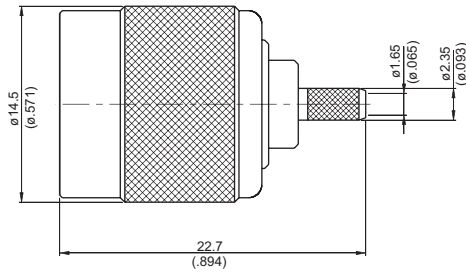
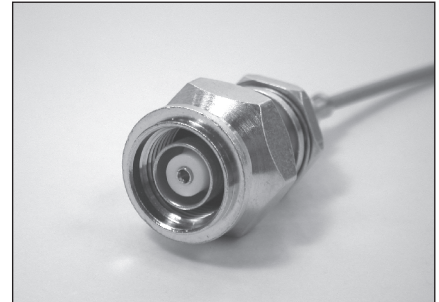
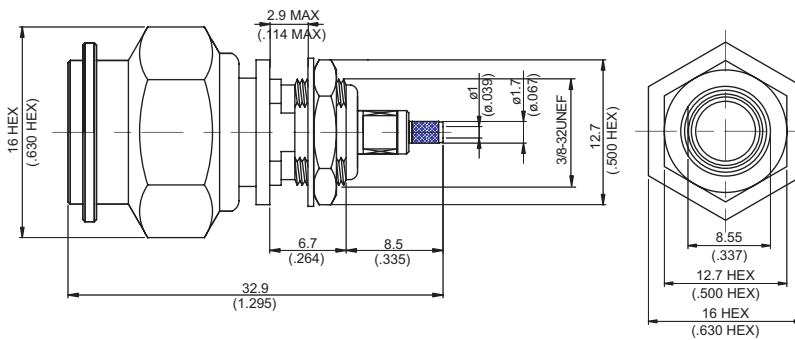


► **TNC PLUG CRIMP**



Part Number	Weight	Material	Suitable Cables	Remarks
TNC3100-0179		A11	RG179, RG179-FEP	Impedance=75ohm
TNC31ND-0179		A11	RG179, RG179-FEP	ND= Insulator is Delrin
TNC3100P-0316	10.70g	A11	RG174, RG188, RG316, RG316-E, RG316-FEP, JBY100	
TNC6100-0316	10.70g	C11	RG174, RG188, RG316, RG316-E, RG316-FEP, JBY100	Reverse Polarity Plug
TNC3100PD-0316	10.46g	A11	RD316, RG316D-E, RD316-FEP	D=Equivalent cable RD 316

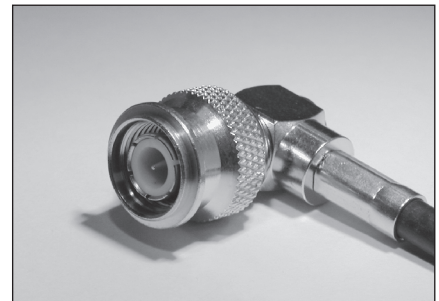
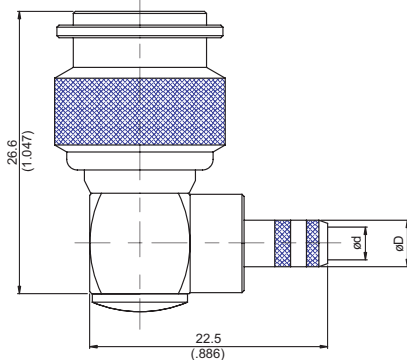
► **TNC REVERSE POLARITY PLUG CRIMP FOR BULKHEAD**



TNC

Part Number	M.H.	Weight	Material	Suitable Cable	Remarks
TNC6500-0178	4	17.57g	C11	RG178, RG178-FEP	Reverse Polarity Plug

► **TNC PLUG CRIMP RIGHT ANGLE**



Part Number	Measurements	Weight	Material	Suitable Cables	Remarks
TNC3100-9058	ød=3.1 (.122) øD=4.4 (.173)	22.14g	A11	RG58, JBY195	
TNC6100A-9058	ød=3.1 (.122) øD=4.4 (.173)	24.09g	C11	RG58, JBY195	Reverse Polarity Plug
TNC3100-9059	ød=3.9 (.154) øD=5.6 (.220)		A11	RG59	Impedance=75ohm
TNC3100-9142	ød=3.1 (.122) øD=4.4 (.173)		A11	RG55, RG142, RG142-E, RG400	
TNC6100A-9142	ød=3.1 (.122) øD=4.4 (.173)		A11	RG55, RG142, RG142-E, RG400	Reverse Polarity Plug
TNC3100-9223	ød=3.1 (.122) øD=4.4 (.173)		A11	RG223	
TNC6100A-9223	ød=3.1 (.122) øD=4.4 (.173)		A11	RG223	Reverse Polarity Plug
TNC3100-93C2	ød=3.3 (.130) øD=5.6 (.220)		A11	3C-2W	Impedance=75ohm