

No.	DESCRIPTION	MATERIAL	FINISH	Q'TY
1	BODY	BRASS	GOLD PLATED	1
2	CONTACT	BRASS	GOLD PLATED	1
3	INSULATOR	TEFLON	-	1
4	INNER BODY	BRASS	GOLD PLATED	1

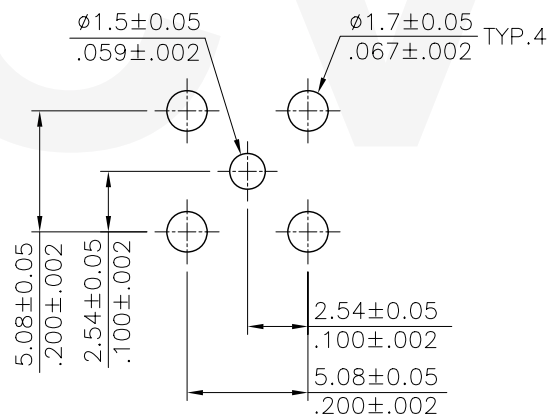
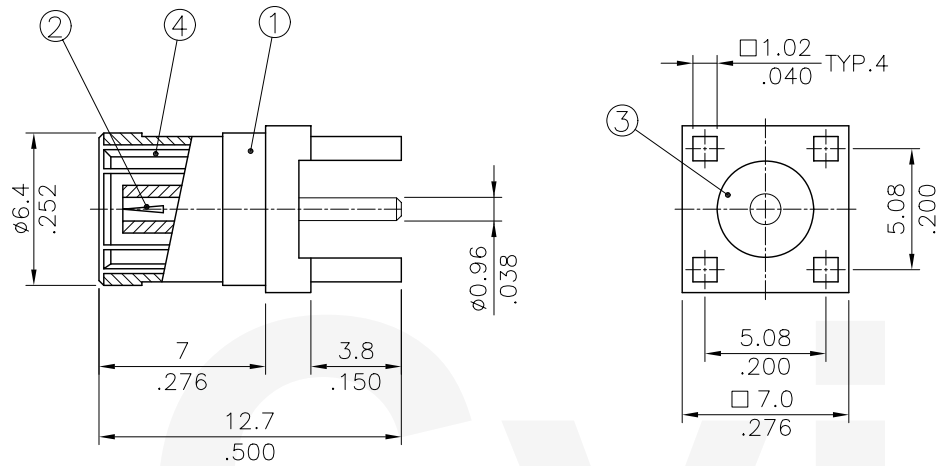
Specifications:

Electrical

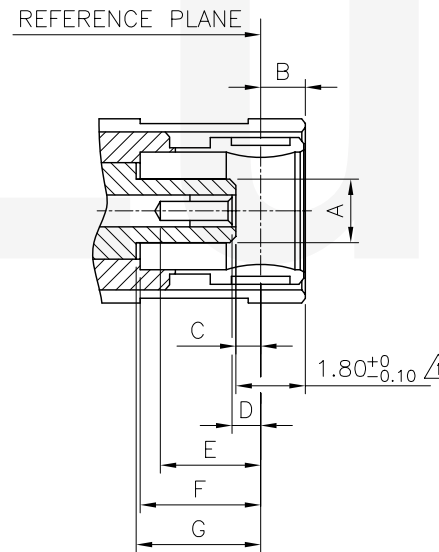
Impedance: 50Ω
 Frequency Range: 0-4 GHz
 Working Voltage: 335 VRMS Max.
 Dielectric Withstanding Voltage: 1000 VRMS Min.
 VSWR: 1.3 Max.
 Contact Resistance
 Center contact: 6mΩ Max.
 Outer Contact: 2mΩ Max.
 Insulator Resistance: 1000MΩ Min.

Mechanical & Environmental

Engagement/Disengagement Force: 14 lbs. Max.
 Contact Retention: 4 lbs. Min.
 Durability (Mating): 500 cycles Min.
 Temperature Range: -65°C to 165°C
 Vibration: MIL-STD-202 Method 204 Test Cond.B
 Salt Spray: MIL-STD-202 Method 101 Test Cond.B
 Thermal Shock: MIL-STD-202 Method 107 Test Cond.B



Recommended P.C. Board Layout



DIM.	Min.	Max.
A	2.00(.079)	2.06(.081)
B	-	1.62(.064)
C	0.18(.007)	-
D	0.18(.007)	0.94(.037)
E	2.97(.117)	-
F	3.58(.141)	-
G	3.58(.141)	-

Interface Mating Dimensions

RoHS Compliant

SYM	NAME	DATE	REVISIONS	APPROVED BY:	DATE	UNIT: mm / inch	TITLE: SMB SERIES STRAIGHT PCB MOUNT TYPE PLUG CONN.	DRAWING NO. CR0205SB	PART NO. CR02P03225000
4									
3									
2									
1	Sun	5/15-09'	ECN09249	Eisley	5/15-09'	X. ±0.50/.020 X' ± 1'	MATERIAL:		
						.X ±0.30/.012 .X' ±	FINISH:		
						.XX ±0.15/.006 .XX' ±		SCALE 2 / 1	SHEET 1 OF 1

CIVILUX CORP
 2009.05.19
 ISSUED

瀚荃股份有限公司
 CviLux Corporation