

DO NOT SCALE FROM THIS PRINT

PRF24-J-C-EP-150A-SS

SERIES
-24: 2.4MM

GENDER
-J: JACK

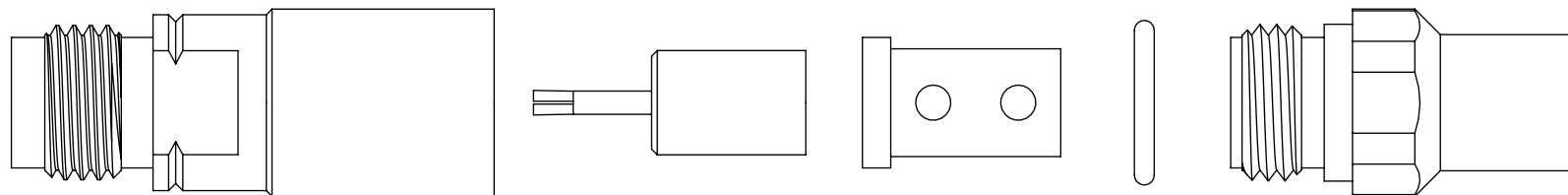
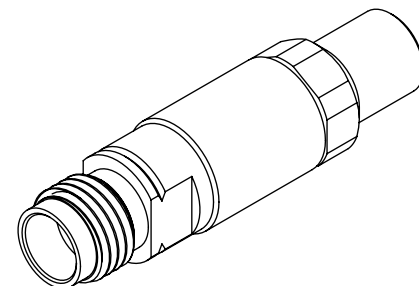
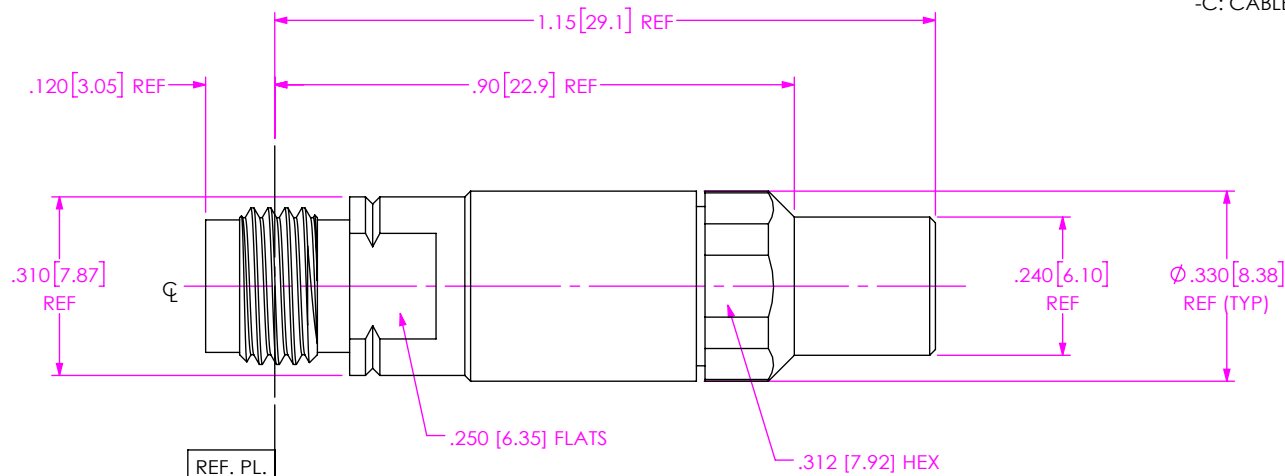
TYPE
-C: CABLE

TERMINATION
-S: SOLDER CLAMP

ORIENTATION
-S: STRAIGHT

CABLE TYPE
-150A: STORM ACCUTEST 150

PLATING
-EP: 50µ" EXTRA HEAVY GOLD
CENTER CONTACT, PASSIVATED
OUTER CONTACT



EXPLODED VIEW
NOT TO SCALE
(FOR CLARITY ONLY)

NOTES:

- MATERIAL:**
BODY, CLAMP NUT, BUSHING: STAINLESS STEEL.
O-RING: SILICONE RUBBER.
BEAD: ULTEM.
SOLDER FERRULE: BRASS ALLOY.
CONTACT: BERYLLIUM COPPER.
- FINISH:**
BODY, CLAMP NUT, BUSHING: PASSIVATED.
CONTACT, SOLDER FERRULE: GOLD OVER NICKEL PLATE,
50 µIN MIN GOLD OVER 50 µIN MIN NICKEL.
- PCI P/N: 3826.

UNLESS OTHERWISE SPECIFIED,
DIMENSIONS ARE IN INCHES.
TOLERANCES ARE:
DECIMALS ANGLES
.XX: ±.01 [0.3] 1°
.XXX: ±.005 [0.13]
.XXXX: ±.0005 [0.013]

PROPRIETARY NOTE
THIS DOCUMENT CONTAINS CONFIDENTIAL AND PROPRIETARY INFORMATION AND ALL DESIGN, MANUFACTURING, REPRODUCTION, USE, PATENT RIGHTS AND SALES RIGHTS ARE EXPRESSLY RESERVED BY SAMTEC, INC. THIS DOCUMENT SHALL NOT BE DISCLOSED, IN WHOLE OR PART, TO ANY UNAUTHORIZED PERSON OR ENTITY NOR REPRODUCED, TRANSFERRED OR INCORPORATED IN ANY OTHER PROJECT IN ANY MANNER WITHOUT THE EXPRESS WRITTEN CONSENT OF SAMTEC, INC.



520 PARK EAST BLVD, NEW ALBANY, IN 47150
PHONE: 812-944-6733 FAX: 812-948-5047
e-Mail: info@SAMTEC.com code 55322

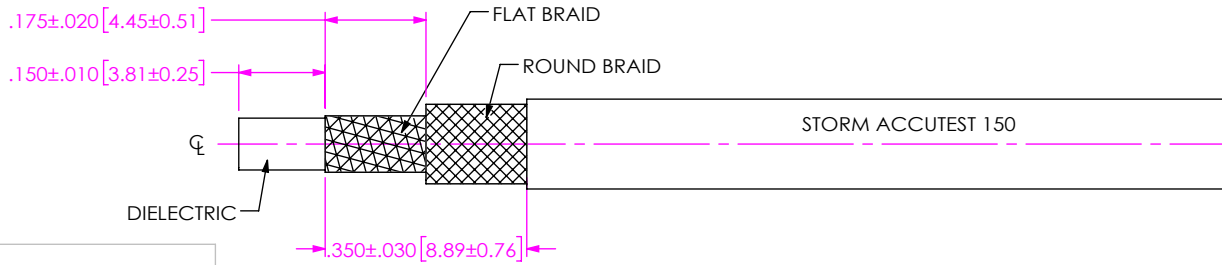
DO NOT SCALE DRAWING

SHEET SCALE: 3:1

DESCRIPTION: 2.4MM JACK, SOLDER CLAMP FOR STORM ACCUTEST 150 CABLE

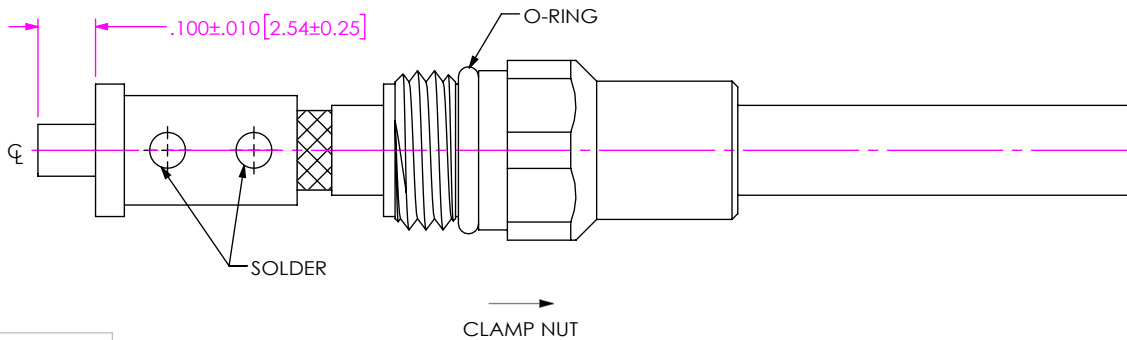
DWG. NO. PRF24-J-C-EP-150A-SS

BY: EVE L 01/08/2021 SHEET 1 OF 3



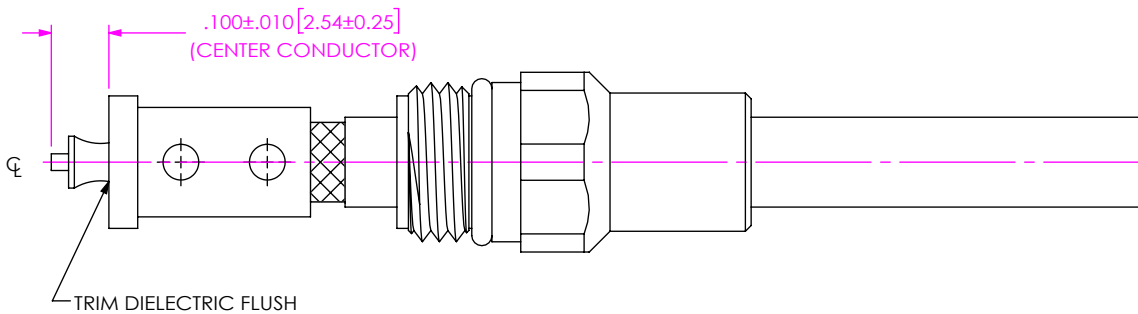
1A. TRIM CABLE AS SHOWN.

IN-PROCESS 1



- 2A. INSTALL O-RING ONTO CLAMP NUT WHERE SHOWN AND SLIDE CLAMP NUT OVER CABLE IN ORIENTATION SHOWN.
- 2B. INSERT CABLE INTO SOLDER FERRULE UNTIL SEATED AND SOLDER TO CABLE BRAIDS WHERE SHOWN.

IN-PROCESS 2



- 3A. COMPRESS DIELECTRIC TOWARD THE SOLDER FERRULE USING APPROPRIATE TOOL AND TRIM DIELECTRIC FLUSH WITH SEATING SURFACE OF SOLDER FERRULE.
- 3B. VERIFY CENTER CONDUCTOR DIM. SHOWN FROM FERRULE SEATING SURFACE.

IN-PROCESS 3

PROPRIETARY NOTE
 THIS DOCUMENT CONTAINS CONFIDENTIAL AND PROPRIETARY INFORMATION AND ALL DESIGN, MANUFACTURING, REPRODUCTION, USE, PATENT RIGHTS AND SALES RIGHTS ARE EXPRESSLY RESERVED BY SAMTEC, INC. THIS DOCUMENT SHALL NOT BE DISCLOSED, IN WHOLE OR PART, TO ANY UNAUTHORIZED PERSON OR ENTITY NOR REPRODUCED, TRANSFERRED OR INCORPORATED IN ANY OTHER PROJECT IN ANY MANNER WITHOUT THE EXPRESS WRITTEN CONSENT OF SAMTEC, INC.



520 PARK EAST BLVD, NEW ALBANY, IN 47150
 PHONE: 812-944-6733 FAX: 812-948-5047
 e-Mail info@SAMTEC.com code 55322

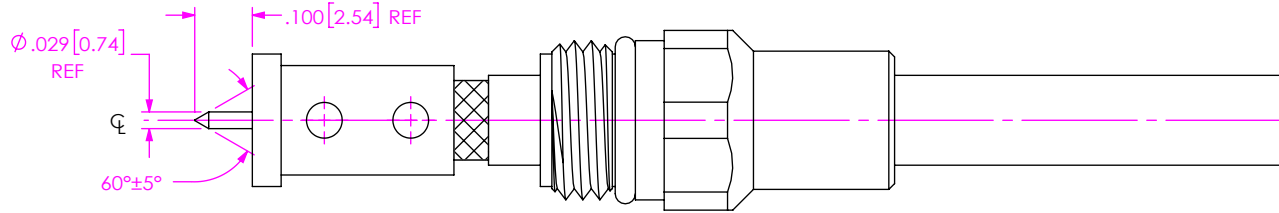
DO NOT SCALE DRAWING

SHEET SCALE: 3:1

DESCRIPTION: 2.4MM JACK, SOLDER CLAMP FOR STORM ACCUTEST 150 CABLE

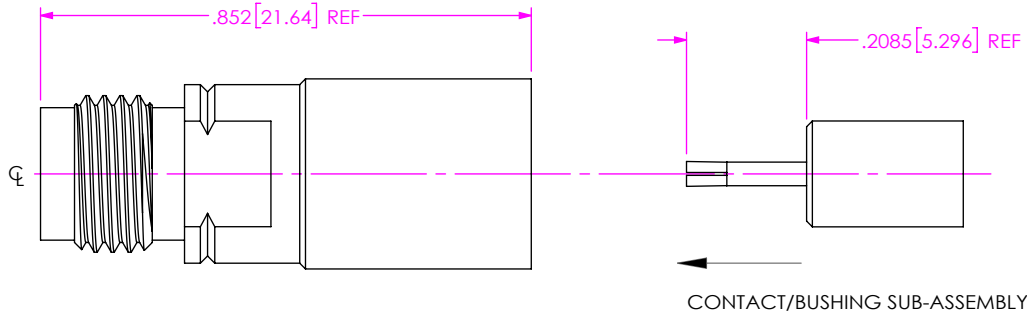
DWG. NO. PRF24-J-C-EP-150A-SS

BY: EVE L 01/08/2021 SHEET 2 OF 3



4A. POINT CABLE CENTER CONDUCTOR AS SHOWN.

IN-PROCESS 4

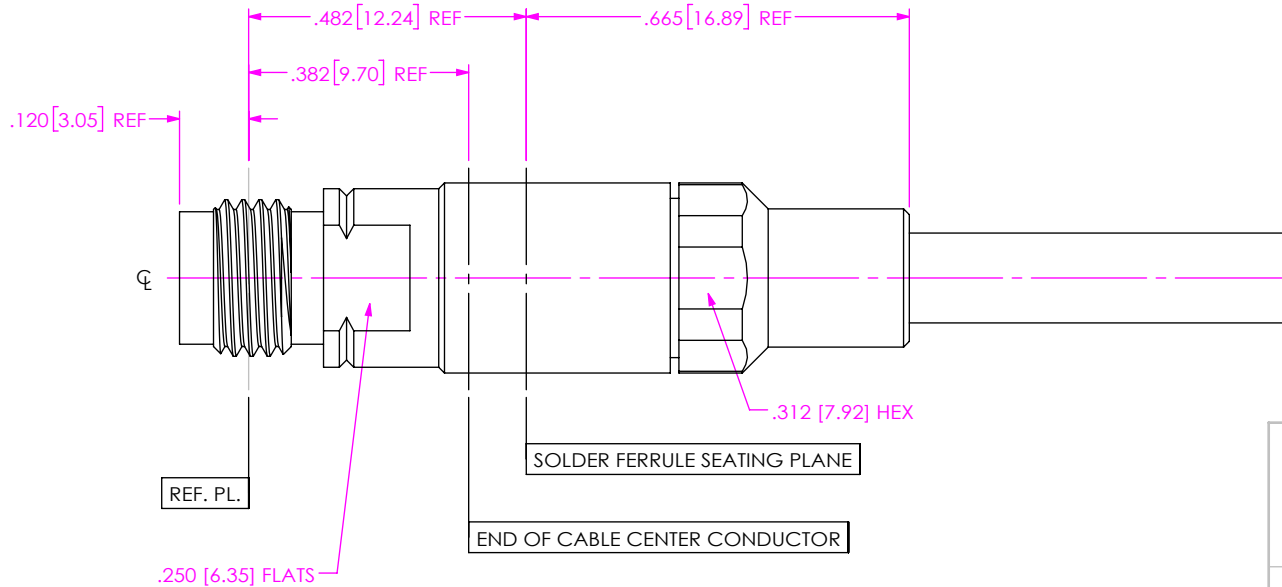


5A. INSERT CONTACT/BUSHING SUB-ASSEMBLY INTO CONNECTOR HEAD IN ORIENTATION SHOWN UNTIL BUSHING SEATS.

CONNECTOR BODY

CONTACT/BUSHING SUB-ASSEMBLY

IN-PROCESS 5



6A. INSERT CABLE SUB-ASSEMBLY INTO CONNECTOR UNTIL SEATED AND TIGHTEN CLAMP NUT TO 25-35 IN-LBS.

IN-PROCESS 6

PROPRIETARY NOTE
 THIS DOCUMENT CONTAINS CONFIDENTIAL AND PROPRIETARY INFORMATION AND ALL DESIGN, MANUFACTURING, REPRODUCTION, USE, PATENT RIGHTS AND SALES RIGHTS ARE EXPRESSLY RESERVED BY SAMTEC, INC. THIS DOCUMENT SHALL NOT BE DISCLOSED, IN WHOLE OR PART, TO ANY UNAUTHORIZED PERSON OR ENTITY NOR REPRODUCED, TRANSFERRED OR INCORPORATED IN ANY OTHER PROJECT IN ANY MANNER WITHOUT THE EXPRESS WRITTEN CONSENT OF SAMTEC, INC.



520 PARK EAST BLVD, NEW ALBANY, IN 47150
 PHONE: 812-944-6733 FAX: 812-948-5047
 e-Mail: info@SAMTEC.com code 55322

DO NOT SCALE DRAWING

SHEET SCALE: 3:1

DESCRIPTION: 2.4MM JACK, SOLDER CLAMP FOR STORM ACCUTEST 150 CABLE

DWG. NO. PRF24-J-C-EP-150A-SS

BY: EVE L 01/08/2021 SHEET 3 OF 3