

LED GRAPHIC DISPLAY UNIT



Stanley LED graphic displays made with super bright LEDs guarantee a bright and clear display. Including □64, □96 and □144, Stanley also provides 4 digit type LED mini modules such as □32, □40 and many other different kinds of LEDs.

▼DESCRIPTION ON TYPE NO.

LMD 04 A - C RG □ - □

OUTER DIMENSIONS 256 (16X16)
 No. of Dot 256 (16X16)
 TYPE C : Chip
 L : Lamp
 EMITTED COLOR 4 : 1/4 duty
 RG : Red, Green (Bicolor)
 DUTY 8 : 1/8 duty
 16 : 1/16 duty
 S : Static
 SUFFIX M : With memory
 M1 : With memory
 2 : Dual
 2C : With dual clear film

LED Mini Module

MM 12 16 C - R 4

Outer Dimensions 12 : 1.2 inch (32mm)
 15 : 1.5 inch (40mm)
 No. of Dot 256 (16X16)
 Type C : Chip
 Emitted Color R : Red
 G : Green
 RG : Red, Green (Bicolor)
 No. of Digit 4 : 4

▼CHARACTERISTICS BY COLOR

Emitted Color	Peak Wavelength λp		Operating Temp. (Topr.)		Storage Temp. (Tstg.)	
	TYP	If	LMD Series	MM Series	LMD Series	MM Series
Red	660	20	-5~+40	-5~+65	-20~+70	-20~+85
Green	570	20	-5~+40	-5~+65	-20~+70	-20~+85
Bicolor	Red	660	-5~+40	-5~+65	-20~+70	-20~+85
	Green	570				
Units	nm	mA	°C			

*1 Surface temp. is less than 70°C.

▼CHARACTERISTICS BY SHAPE

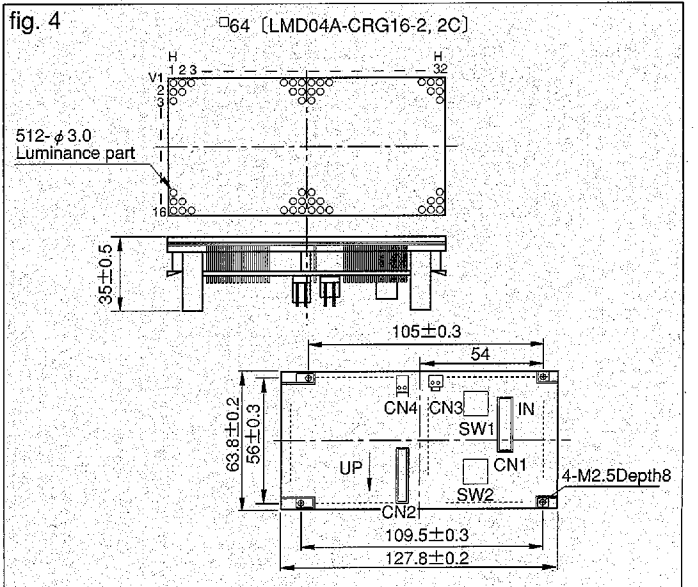
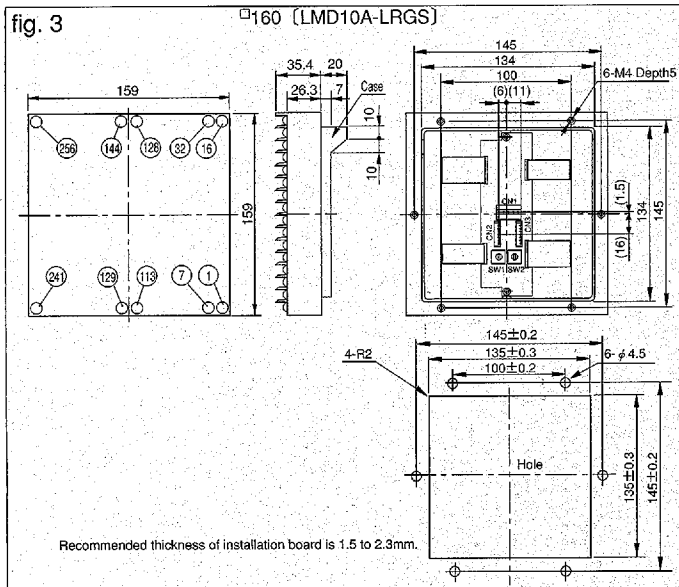
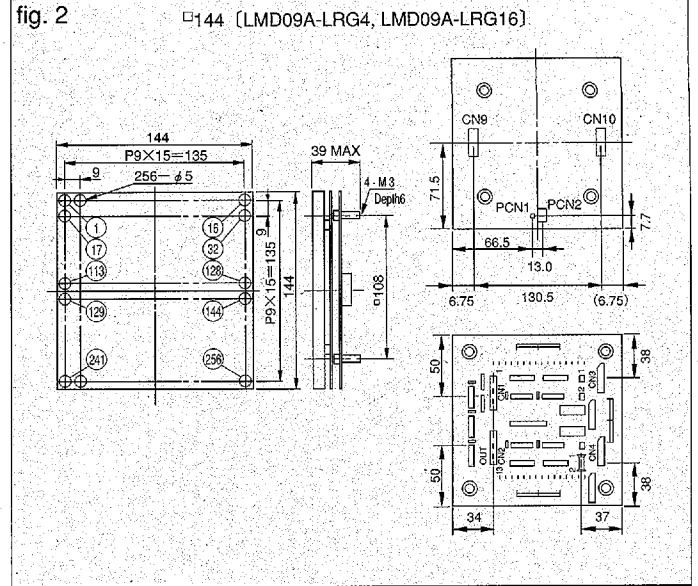
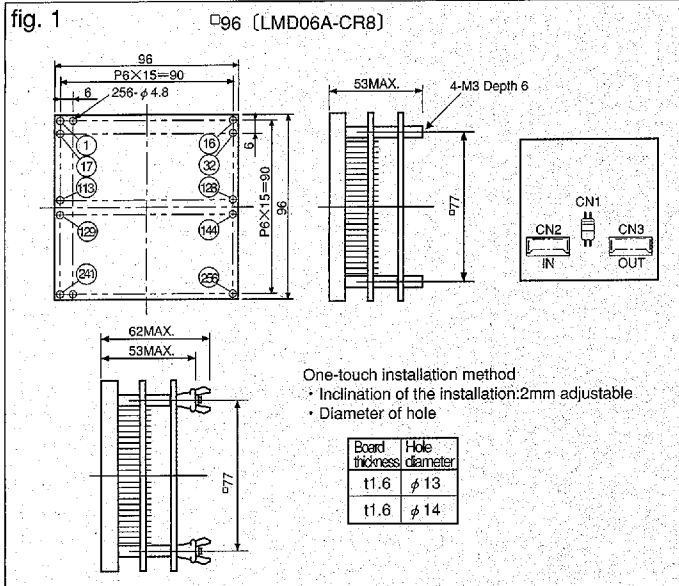
Ta=25°C

Size W×H	Shape	Type No.	Emitted Color	Dot Size	Dot Pitch	Dot Format	Logic Circuit		Display Circuit		Luminosity TYP	Viewing Angle MIN	Data Transmission Speed MAX	Driving Method	fig
							Input Volt. Vcc1	Current Consumption Icc1MAX	Input Volt. Vcc2	Current Consumption Icc2MAX					
□96		LMD06A-CRG8	Red	φ 4.8	6	16X16	5±0.25	3.8	—	—	200	120	2.0	1/8 Duty Drive	1
			Green								200				
□144		LMD09A-LRG4	Red	φ 7.2	9	16X16	5±0.25	0.15	5±0.25	4.0	150	90	2.0	1/4 Duty Drive	2
			Green								250				
		LMD09A-LRG16	Red	φ 7.2	9	16X16	5±0.25	0.06	5~7	2.4	80	90	2.0	1/16 Duty Drive	2
			Green								105				
□160		LMD10A-LRGS	Red	φ 7.5	10	16X16	5±0.25	0.15	2.75 ±0.25	*2 10.5	1800	Left or Right 80	2.0	Static Drive	3
			Green								800				
64 × 128		LMD04A-CRG16-2	Red	φ 3	4	16X32	5±0.25	-0.15	5±0.25	*2 3.6	90	120	2.0	1/16 Duty Drive	4
			Green								135				
		LMD04A-CRG16-2C	Red	φ 3	4	16X32	5±0.25	0.15	5±0.25	*2 3.6	90	120	2.0	1/16 Duty Drive	4
			Green								135				
96 × 192		LMD06A-CRG16-2	Red	φ 4.8	6	16X32	5±0.25	-0.15	5±0.25	3.8	90	120	2.0	1/16 Duty Drive	5
			Green								90				
32 × 128		MM1216C-R4	Red	φ 1.6	2	16X64	5±0.25	1.73	—	—	50	120	2.0	1/16 Duty Drive	6
		MM1216C-G4	Green	φ 1.6	2	16X64	5±0.25	1.53	—	—	50	120	2.0	1/16 Duty Drive	
40 × 160		MM1516C-R4	Red	φ 1.8	2.5	16X64	5±0.25	0.13	5±0.25	1.6	50	120	2.0	1/16 Duty, Drive	7
			Green												
		MM1516C-RG4	Red	φ 1.8	2.5	16X64	5±0.25	0.25	5±0.25	3.0	50	120	2.0	1/16 Duty Drive	7
			Green								50				
mm	Units			mm	mm	dot	V	A	V	A	cd/m ²	deg	Mb/s		

*The lighting ratio is 50% max.

LED GRAPHIC DISPLAY UNIT

▼MODULE DIMENSIONS Unit : mm



MODULE DIMENSIONS Unit : mm

